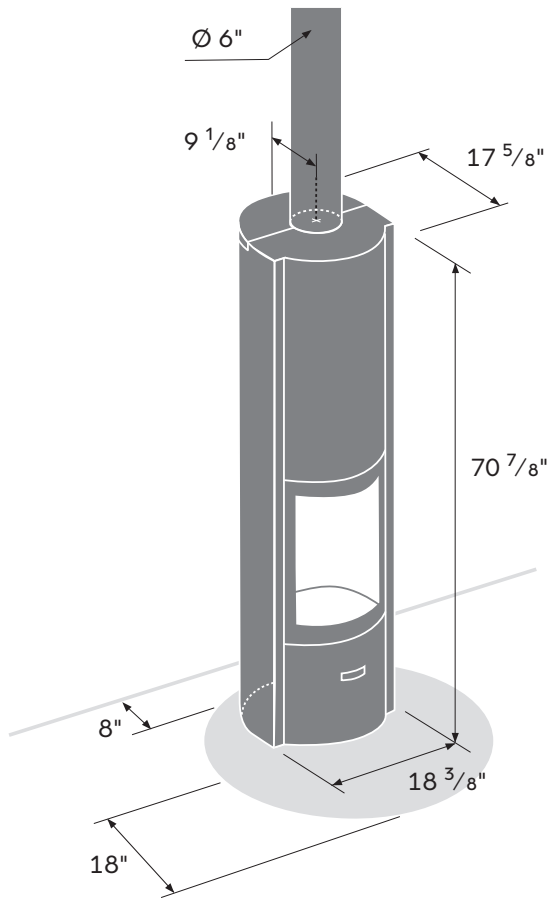


# Stûv 30-compact H

## Technical sheet

**stûv**  
AMERICA



## ADVANTAGES

- 3 operation modes
  - 360° rotation
  -
- Ash pan integrated into the base of the unit
  -
- Easy to light
  -
- Generates little ash
  -
- Can be connected to outside air
  -
- Low fine particle emission rate
  -
- Suitable for all types of interiors
  -
- Priority of the view of the fire
  -
- Energy saving
  -
- No more firewood recutting
  -
- Easy to clean



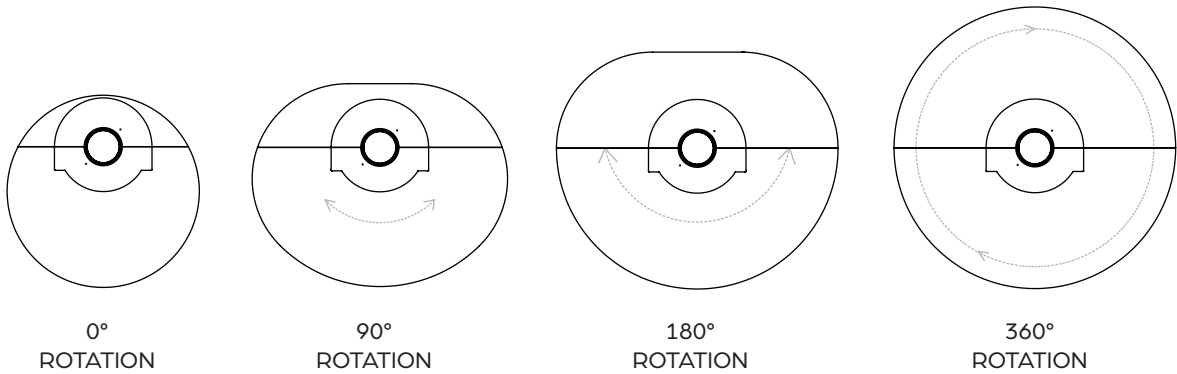
### Size 30-compact H

Max. vertical log lenght	16"
Max. horizontal log lenght	10"
Efficiency	74%
Maximum power (EPA)*	17 049 BTU/h
Heating surface area	900 ft <sup>2</sup>
Firebox size	1.1 ft <sup>3</sup>
Fine particle emissions	1.82 g/h
Weight	340 lb (+330 lb)
Outside air duct	Ø 4"
Door	standard 3 doors
Revolving base 360°	standard 360°

\* For more information : [cfpub.epa.gov/oarweb/woodstove](http://cfpub.epa.gov/oarweb/woodstove)

# FLOOR PLATE

POSSIBILITY OF 4 OPTIONS



Stûv 30–compact H

Rotation	0°	90°	180°	360°
Size	ø 36"	ø 48" x 38 1/2"	ø 52 7/8" x 44 1/2"	ø 52 7/8"

Note: The floor plates have a thickness of 14 GA.

## AVAILABLE COLOR



StûvGrey