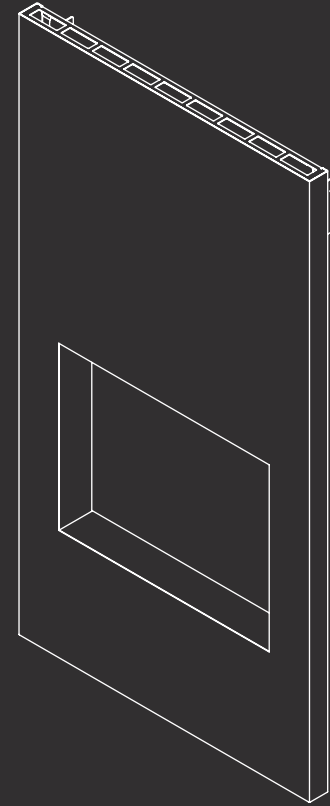
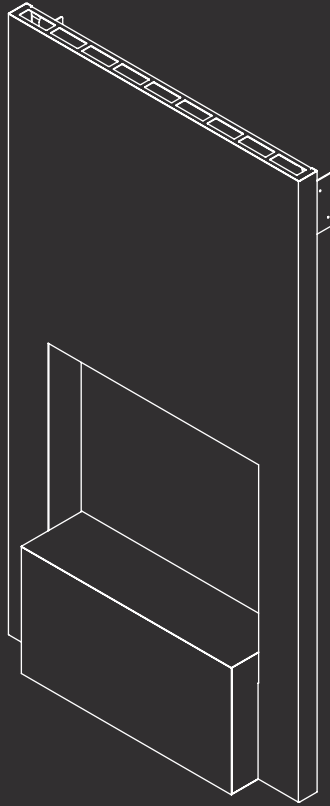


SF5 & SF6 FRONT PANEL STÛV 21

INSTALLATION MANUAL



REQUIRED TOOLS



Grinder



Hammer



Flat screwdriver



Knife with retractable blade



Measuring tape



Impact driver

REQUIRED HARDWARE



Torx 25 bit



10mm hex socket



5 mm hex bit



Wood screw and bit



IMPORTANT

This document is an appendix to the **Stûv 21** installation manual. For a successful installation, it is important to follow these instructions carefully. Look for this symbol in the **Stûv 21** installation manual to know when to refer to this appendix.

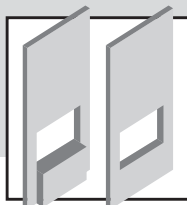


TABLE OF CONTENTS

1. DIMENSIONS



3

- | | |
|-------------------------------------|---|
| 1.1 Characteristics of the frame | 4 |
| 1.2 Non combustible materials | 4 |
| 1.3 Exploded view and parts numbers | 5 |
| 1.4 Overall dimensions | 6 |

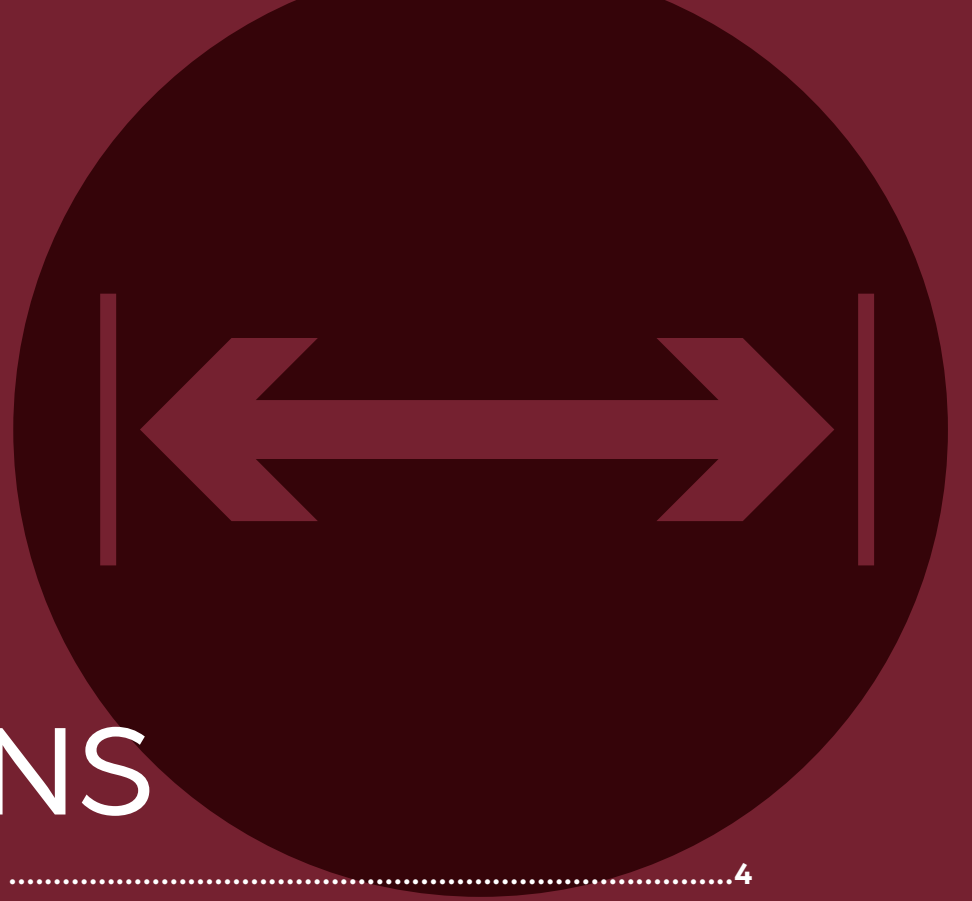
2. INSTALLATION



7

- | | |
|--------------------------------|----|
| 2.1 Preparation of accessories | 8 |
| 2.2 Finished floor and wall | 9 |
| 2.3 Supports and convection | 10 |
| 2.4 Front panel | 11 |





1

DIMENSIONS

1.1	CHARACTERISTICS OF THE FRAME	4
1.2	NON-COMBUSTIBLES MATERIALS	4
1.3	EXPLODED VIEW AND PART NUMBERS	5
1.4	OVERALL DIMENSIONS	6

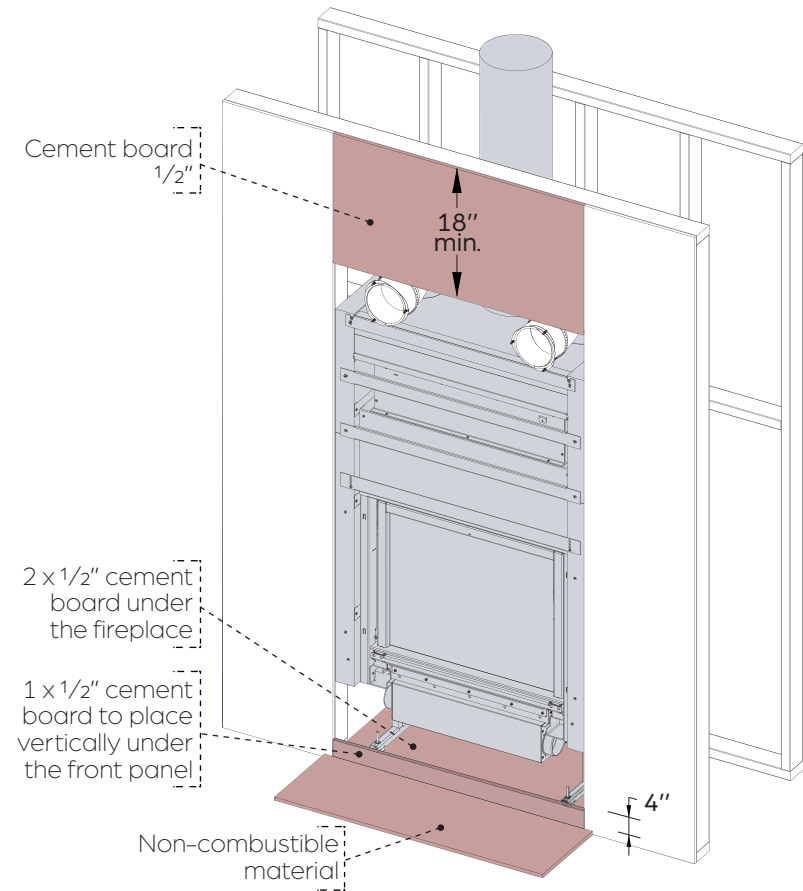
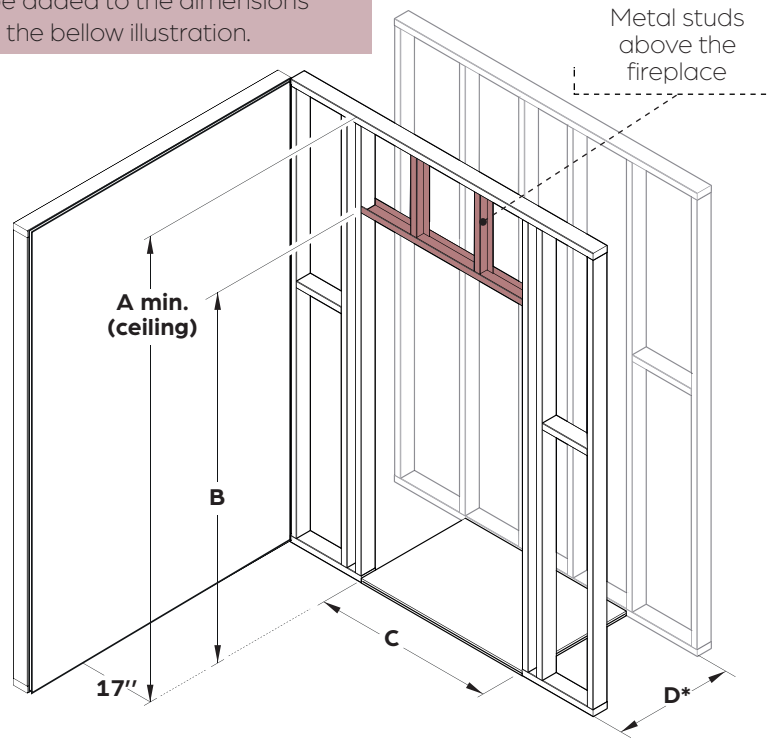
1.1 CHARACTERISTICS OF THE FRAME

1.2 NON-COMBUSTIBLE MATERIALS



NOTE

The framing is not always perfectly level. We suggest that **at least 1/4" clearance** be added to the dimensions indicated on the below illustration.



The wall structure and positioning of the fireplace can be affected by the **FINISHED WALL** (Wall finishing). See page 8 for more details.

SF5 SF6	A	B	C	D*
21-85	99"	81"	39 3/4"	27 1/2"
21-95	105 5/16"	87 5/16"	43 5/8"	29 5/8"
21-105	96"	79"	47 3/4"	26"
21-125	99"	81"	56"	28 5/8"



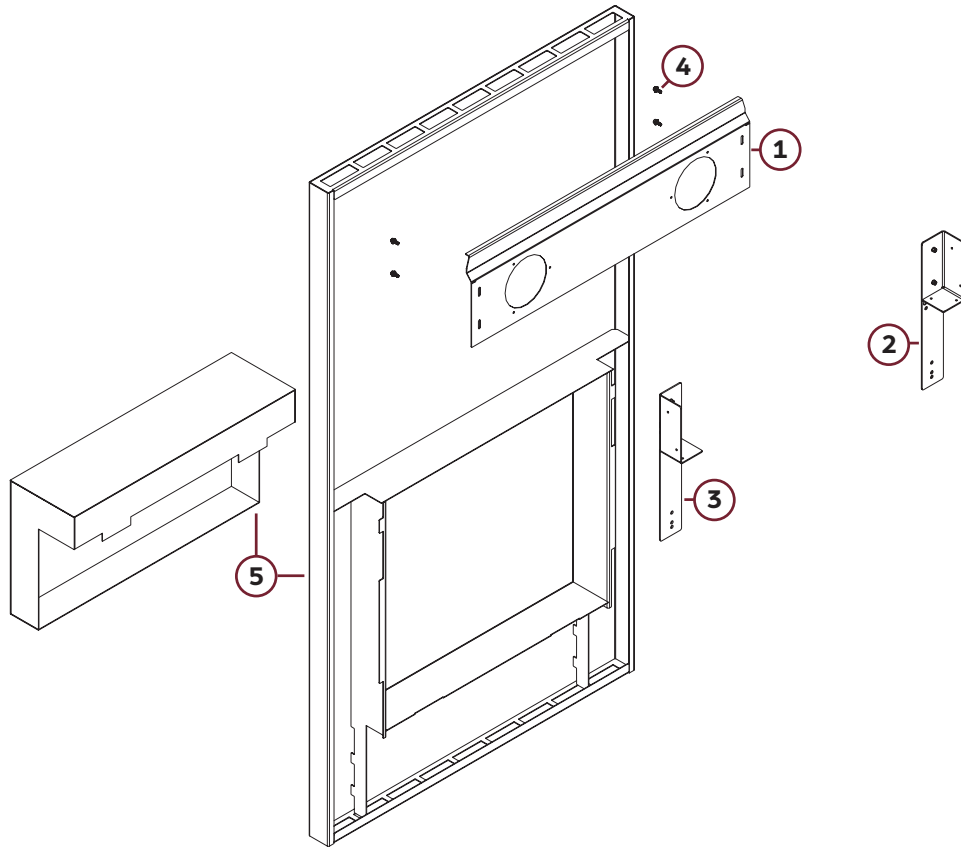
NOTE

The front panel has an integrated convection system with a hot air outlet on its upper portion. It is mandatory to install non-combustible material above the fireplace.

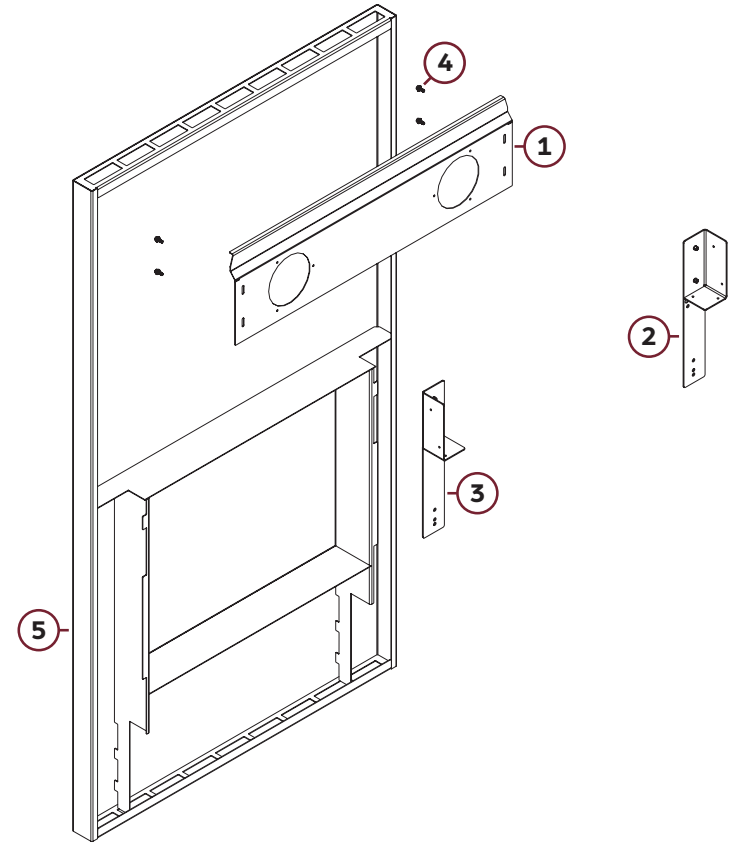
1.3 EXPLODED VIEW AND PART NUMBERS



SF5 (REAR VIEW)



SF6 (REAR VIEW)



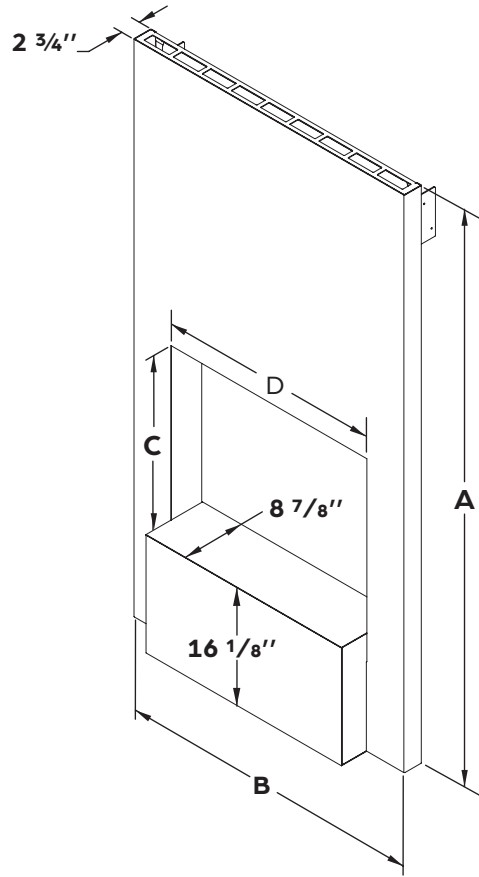
#	DESCRIPTION	21-85	21-95	21-105	21-125
1	Anchor plate	3610500079	3610500086	3610500081	3610500080
2	Left support	3510300044	3510300044	3510300044	3510300044
3	Right support	3510300045	3510300045	3510300045	3510300045
4	4 x Hex screw M6x16	5210400002	5210400002	5210400002	5210400002
5	SF5 base & front panel	11021XX006	11021XX010	11021XX011	11021XX013

#	DESCRIPTION	21-85	21-95	21-105	21-125
1	Anchor plate	3610500079	3610500086	N/A	3610500080
2	Left support	3510300044	3510300044	N/A	3510300044
3	Right support	3510300045	3510300045	N/A	3510300045
4	4 x Hex screw M6x16	5210400002	5210400002	N/A	5210400002
5	SF6 front panel	11021XX024	11021XX025	N/A	11021XX026

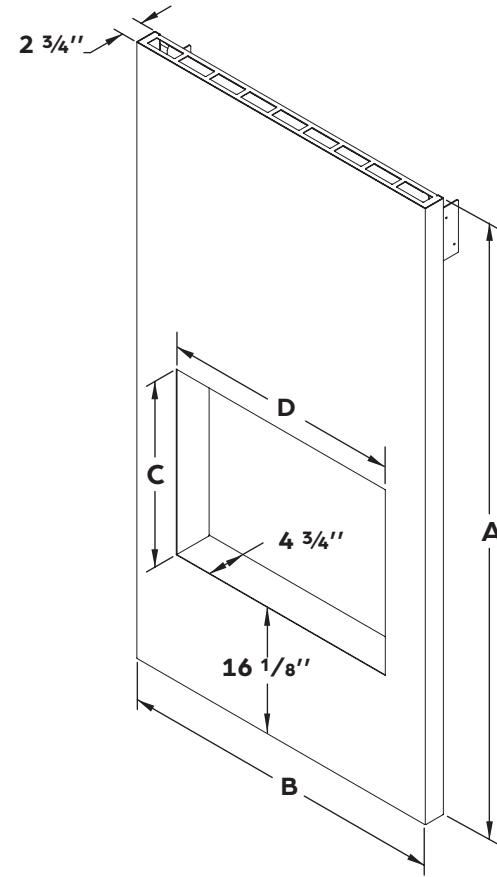
1.4 OVERALL DIMENSIONS



SF5



SF6



MODEL	CODE	A	B	C	D
21-85 SF5	AW112134XX00	81 $\frac{3}{4}$ "	42 $\frac{5}{8}$ "	23 $\frac{3}{4}$ "	30 $\frac{3}{4}$ "
21-95 SF5	AW112141XX00	88"	46 $\frac{5}{8}$ "	26 $\frac{7}{8}$ "	34 $\frac{3}{4}$ "
21-105 SF5	AW112104XX00	78 $\frac{3}{4}$ "	50 $\frac{1}{2}$ "	18 $\frac{7}{16}$ "	38 $\frac{5}{8}$ "
21-125 SF5	AW112111XX00	81 $\frac{3}{4}$ "	58 $\frac{1}{2}$ "	23 $\frac{3}{4}$ "	46 $\frac{1}{2}$ "

MODEL	CODE	A	B	C	D
21-85 SF6	AW112135XX00	81 $\frac{3}{4}$ "	42 $\frac{5}{8}$ "	23 $\frac{3}{4}$ "	30 $\frac{3}{4}$ "
21-95 SF6	AW112142XX00	88"	46 $\frac{5}{8}$ "	26 $\frac{7}{8}$ "	34 $\frac{3}{4}$ "
21-105 SF6	N/A	N/A	N/A	N/A	N/A
21-125 SF6	AW112112XX00	81 $\frac{3}{4}$ "	58 $\frac{1}{2}$ "	23 $\frac{3}{4}$ "	46 $\frac{1}{2}$ "

2

INSTALLATION

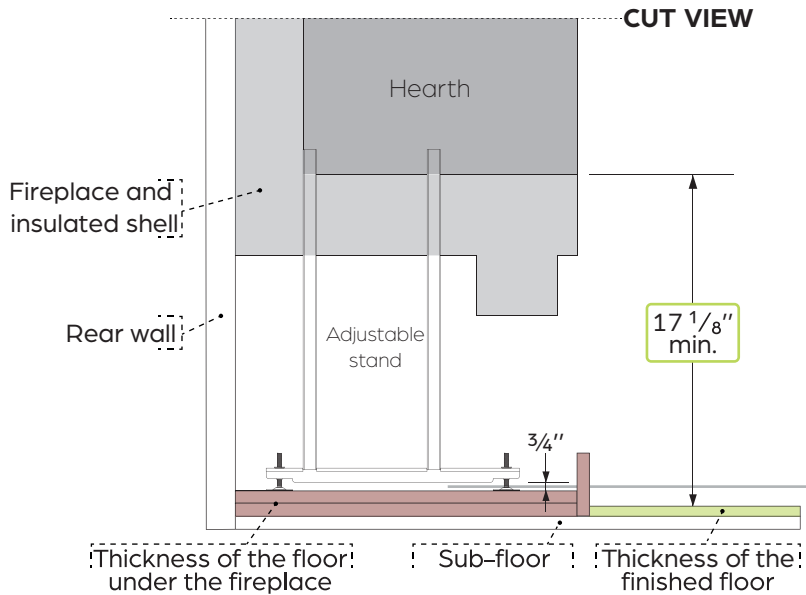


2.1	PREPARATION OF ACCESSORIES	8
2.2	FINISHED FLOOR AND WALL	9
2.3	SUPPORTS AND CONVECTION	10
2.4	FRONT PANEL	11



FINISHED FLOOR

To calculate the height of the adjustable stand, it is necessary to know the thickness of all floor components in front and under the fireplace. Use the table below to determine the **cut-off** length of the adjustable stand. Check the minimum height between the finished floor and the bottom of the hearth after insertion into the wall.



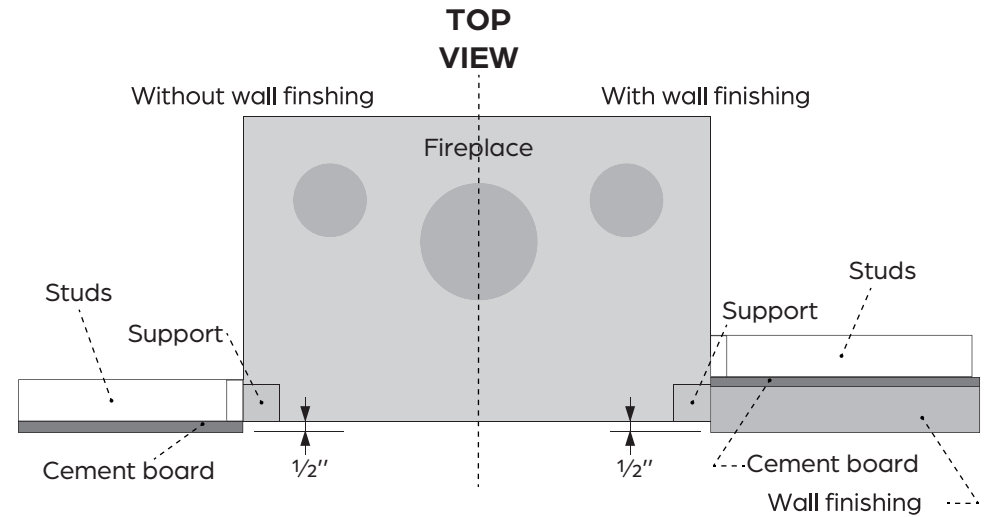
Example for using the table:



Thickness under fireplace & Thickness of finished floor = Cut-off

Thickness of the finished floor under the fireplace	Adjustable stand cut-off length								
	0"	1/8"	1/4"	3/8"	1/2"	5/8"	3/4"	7/8"	1"
0"	7 1/8"	7"	6 7/8"	6 3/4"	6 5/8"	6 1/2"	6 3/8"	6 1/4"	6 1/8"
1/2"	7 5/8"	7 1/2"	7 3/8"	7 1/4"	7 1/8"	7"	6 7/8"	6 3/4"	6 5/8"
1"	8 1/8"	8"	7 7/8"	7 3/4"	7 5/8"	7 1/2"	7 3/8"	7 1/4"	7 1/8"
1 1/2"	8 5/8"	8 1/2"	8 3/8"	8 1/4"	7 1/8"	7"	7 7/8"	7 3/4"	7 5/8"
2"	9 1/8"	9"	8 7/8"	8 3/4"	8 5/8"	8 1/2"	8 3/8"	8 1/4"	8 1/8"

FINISHED WALL



The depth of the opening is influenced by the wall finishing.

When inserting the fireplace, the front of the insulated shell must set back 1/2" from the facing of the wall finishing. As a result, the front panel will not touch the wall directly. The stud structure will therefore be further back to compensate for the thickness of the wall finishing.

If the wall finishing has an uneven surface, the greatest depth must be used for calculations to avoid conflicts.

For any questions regarding a non-standard installation, contact Stûv America Customer Service.

2.3 SUPPORTS AND CONVECTION



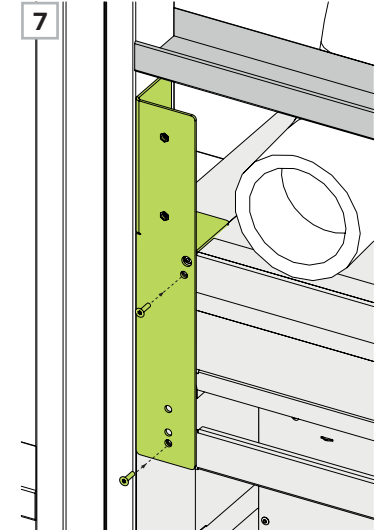
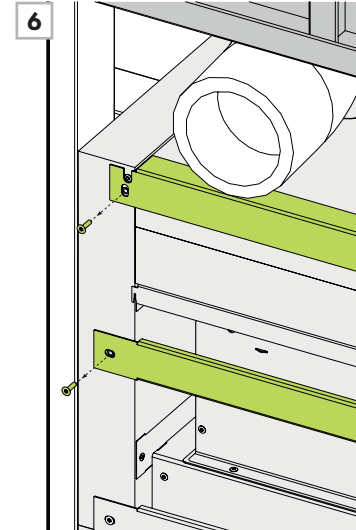
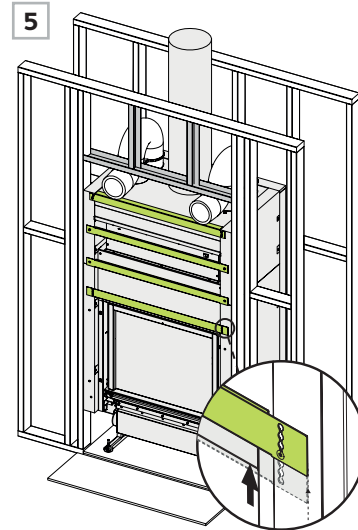
After inserting and levelling the fireplace into the wall, installing the chimney and connecting the convection kit according to the specifications, follow these instructions:

Step 5 By reinstalling the four horizontal finishing trims shown, place the one closest to the hearth at its maximum height.

Step 6 Unscrew the screws of the two upper horizontal trims one side at a time.

Step 7 Place the appropriate support by aligning its holes with those of the two horizontal trims and the fixing holes of the insulated shell and screw back on.

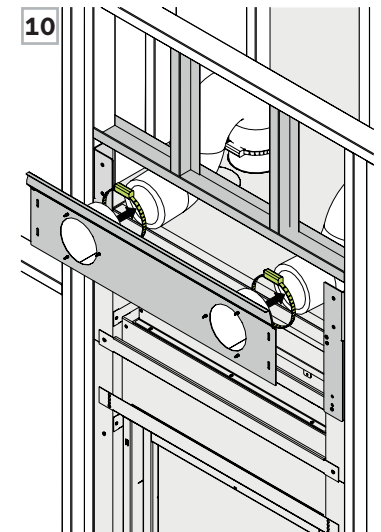
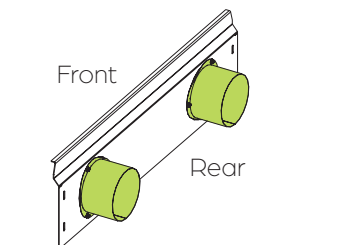
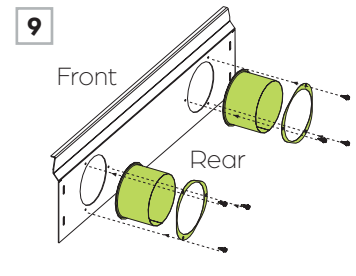
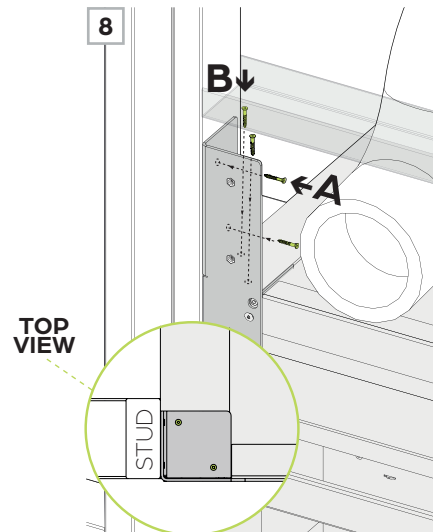
Repeat Steps 6 and 7 for the other side.



Step 8 Secure the supports with wood screws (not included) into frame **A** and into insulated shell **B**.

Step 9 Prepare the anchor plate by installing the 6" diameter x 4" length connectors with maxclips and self-drilling screws.

Step 10 Attach the insulated flexible hoses from the fireplace to the connectors on the anchor plate with clamps.



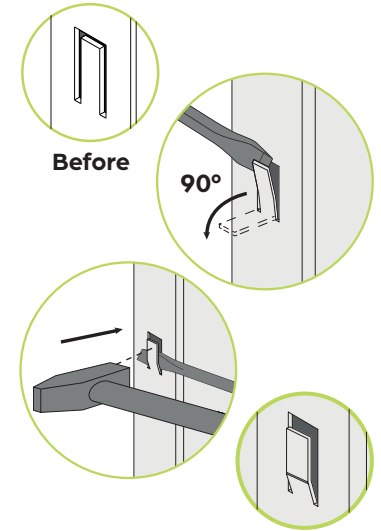
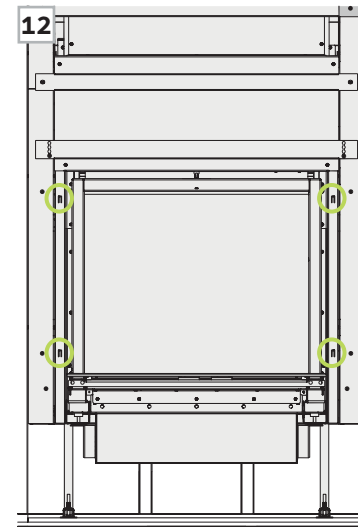
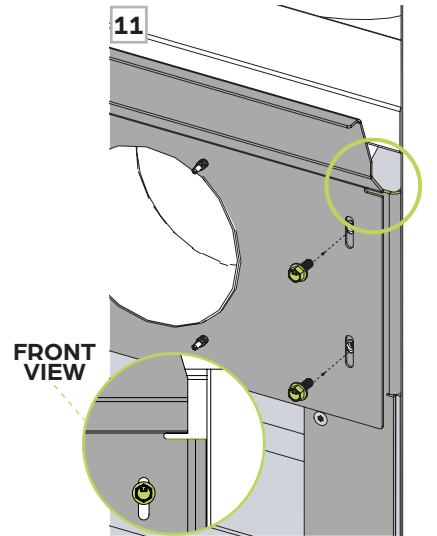
2.4 FRONT PANEL



Step 11 Align the bottom of the notch of the anchor plate with the top of the right and left supports. Assemble the system using the flanged screws.

Step 12 Locate the four pre-cut notches on the fireplace facing around the hearth and fold these notches 90° with a flat screwdriver.

Using a hammer, create four hooks from the previously folded notches. Make sure that the vertical part of the hook is parallel to the fireplace facing.



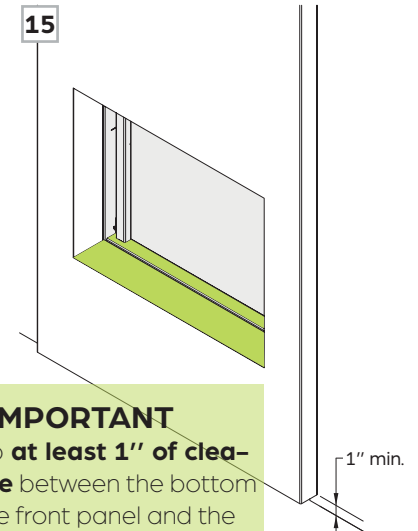
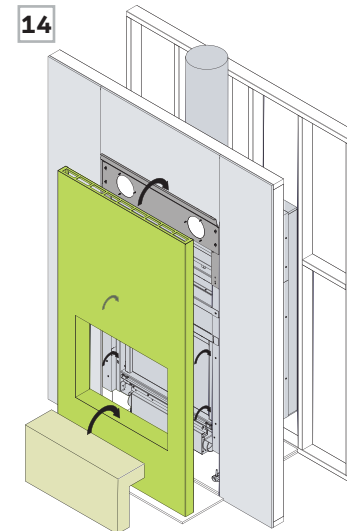
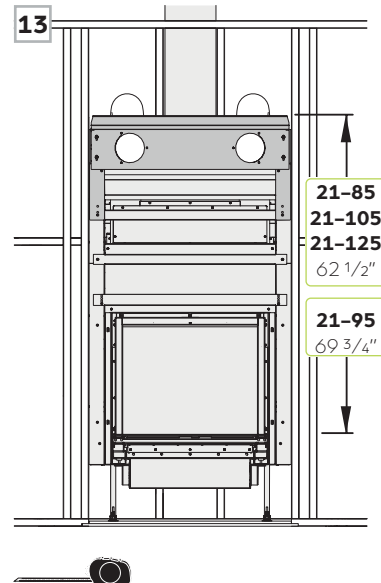
NOTE

The height of the anchor plate can be adjusted if necessary when installing the front panel for perfect hearth alignment!

Step 13 Verify the distance between the top of the anchor plate and the bottom of the fireplace opening. Adjust the plate if necessary and install the wall finishing.

Step 14 Hang the front panel on the anchor plate and hooks, centering it with the opening of the fireplace. If applicable, attach the base of the SF5.

Step 15 Check the alignment between the bottom of the fireplace and the front panel openings. Adjust the position of the anchor plate if necessary to align them.



IMPORTANT

Keep **at least 1" of clearance** between the bottom of the front panel and the finished floor.

1" min.



Stûv fireplaces are designed by:

Stûv sa – Belgique
stuv.com

Rue Jules Borbouse n°4 B-5170
Bois-de-Villers

And manufactured in North America by:

Stûv America inc. – Canada
stuvamerica.com

34, Boulevard de l'Aéroport
Bromont Qc Canada J2L 1S6

1-514-396-3463 | 1-866-487-7888