

## REQUIRED MATERIAL



Standard silicone  
liquid glue

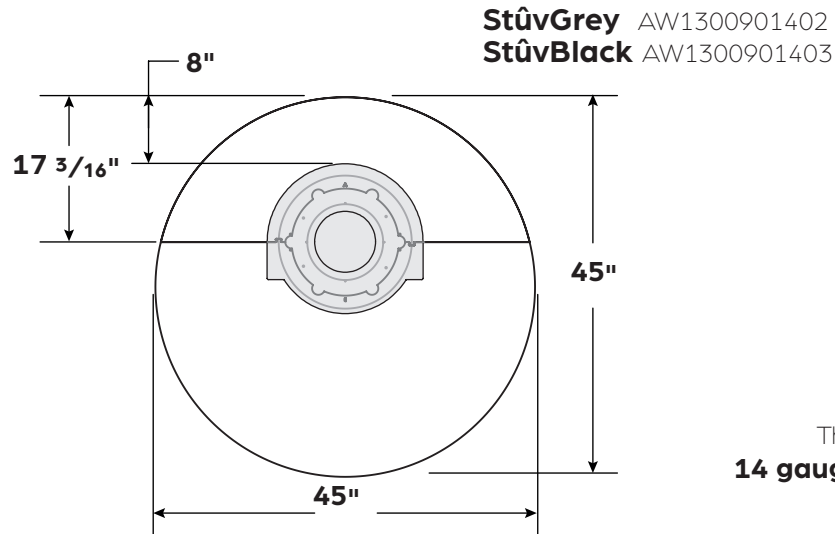


### IMPORTANT

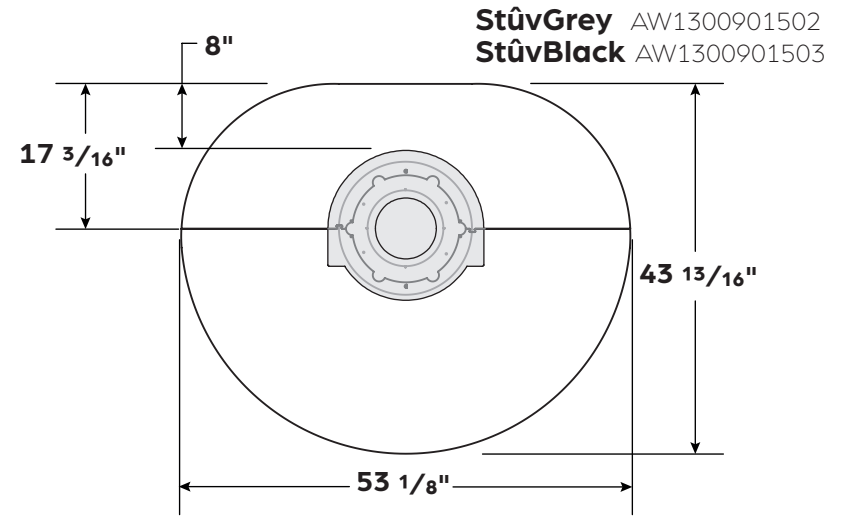
This document is an appendix to the **Stûv 30** installation manual. For a successful installation, it is important to carefully follow these instructions, as well as those in the **Stûv 30** installation manual.



FP1 - Rotation 0°

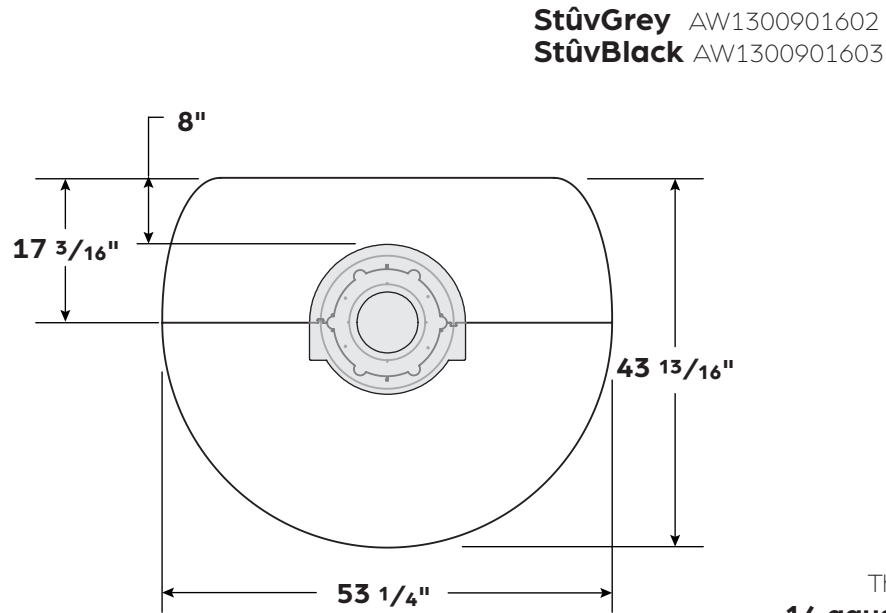


FP2 - Rotation 90°

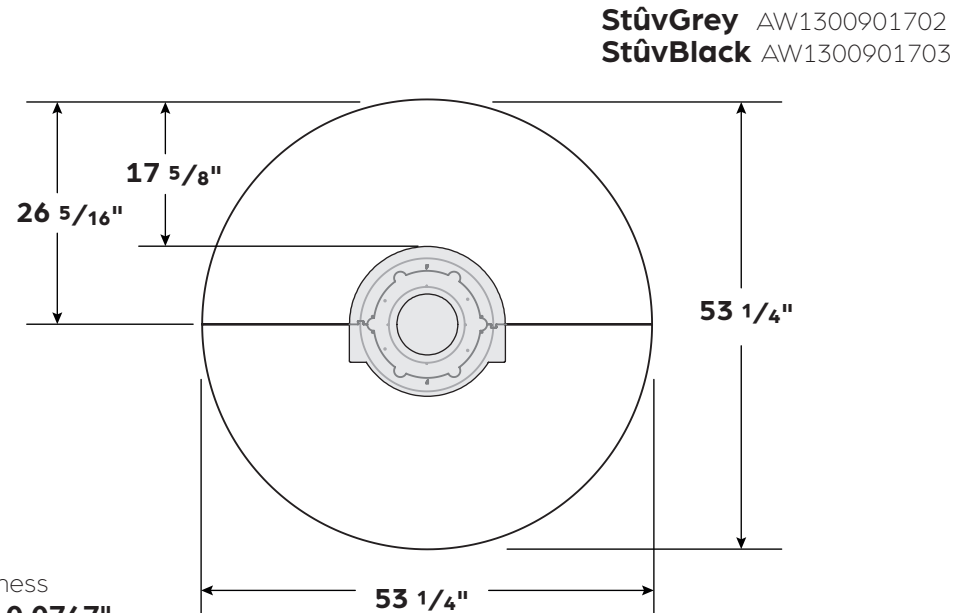


Thickness  
14 gauge | 0.0747"

FP3 - Rotation 180°



FP4 - Rotation 360°



Thickness  
14 gauge | 0.0747"



**Step 1** Install the center plate at the final location of the stove. Use a laser and the notches on the plate to align it to the center of the smoke outlet. Secure the plate with #8 wood screws.

**Step 2** The floor plate is a finishing accessory that is put in place after the Stûv 30 has been installed. The stove therefore needs to be set up and connected first.

**Step 3** Clean the surface around the Stûv 30 where the floor plate will be installed.



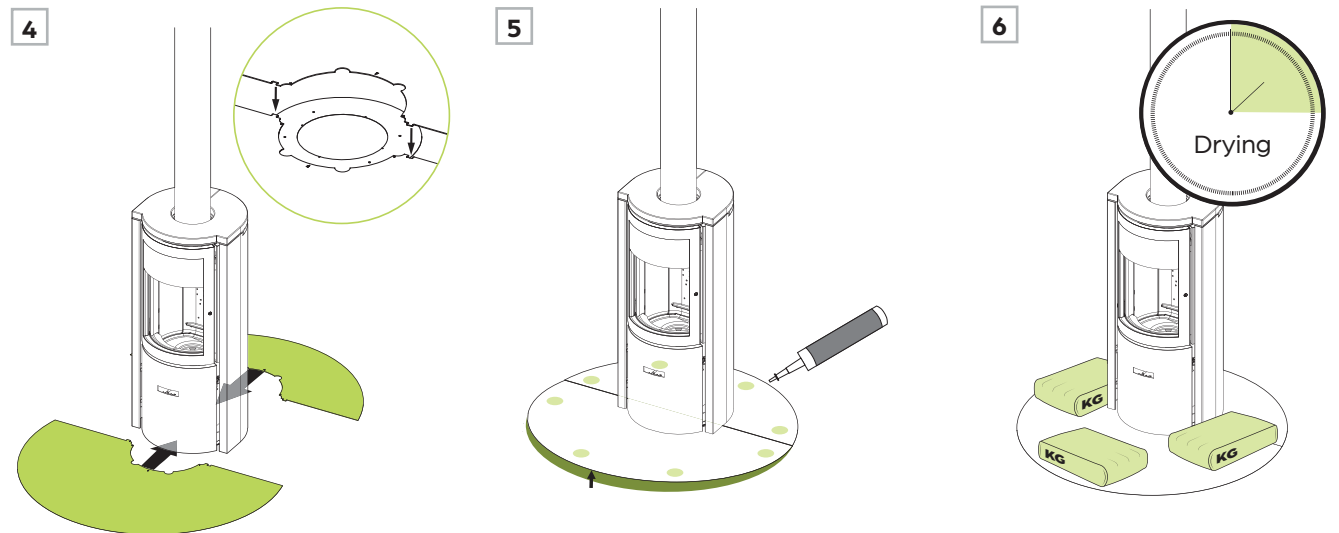
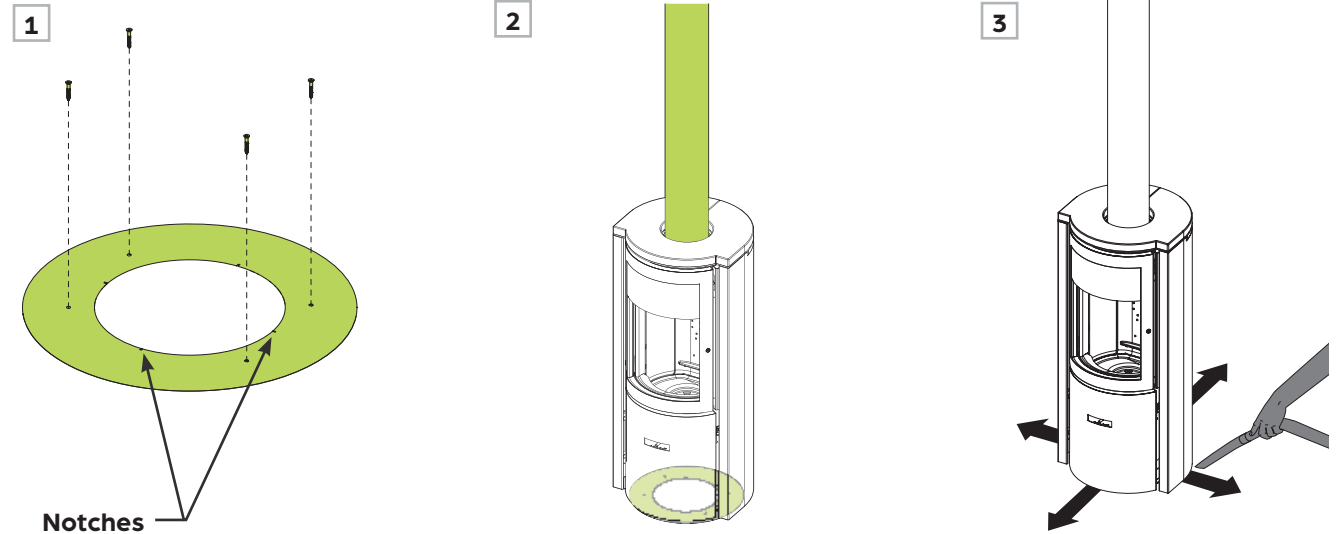
### FRAGILE

When handling the plate, remove any accessories or other that could damage the paint (belt, ring, tools, etc.).

**Step 4** Place the two parts at the front and back of the stove and connect them like puzzle pieces.

**Step 5** Slightly lift each part separately to apply standard silicone liquid glue to different spots. Apply a reasonable amount to keep it from oozing out.

**Step 6** To make sure the floor plate is level, add heavy items to flatten the silicone. Leave for the entire drying period recommended in the silicone's instructions.





---

Stûv fireplaces are designed by:

Stûv sa – Belgique  
[stuv.com](http://stuv.com)

Rue Jules Borbouse n°4 B-5170  
Bois-de-Villers

---

And manufactured in North America by:

Stûv America inc. – Canada  
[stuvamerica.com](http://stuvamerica.com)

34, Boulevard de l'Aéroport  
Bromont QC Canada J2L 1S6

1-514-396-3463 | 1-866-487-7888