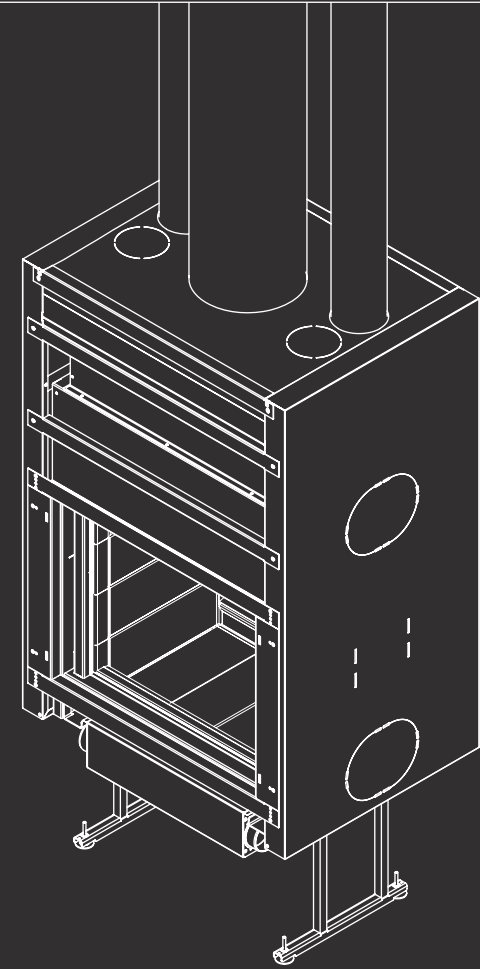
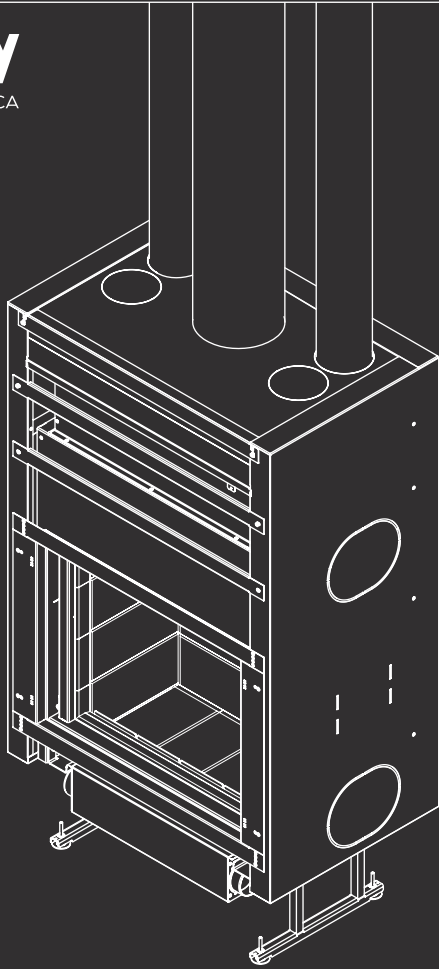


# STÛV 21

## INSTALLATION MANUAL

Keep these instructions for future reference



### REQUIRED TOOLS



Grinder



Hammer



Crowbar



Knife with retractable blade



Measuring tape



Cutting pliers



Level



Impact driver



Flat screwdriver

### REQUIRED HARDWARE



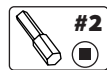
5 mm hex socket



8 mm hex socket



10 mm hex socket



No. 2 square bit



No. 2 phillips bit



5 mm hex bit



Torx 20 bit



Torx 25 bit

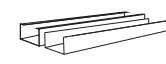


Torx 30 bit

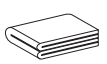
### REQUIRED MATERIAL



Cement board



Metal framing



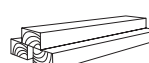
Protective fabric or cardboard



Floor and wall finishing



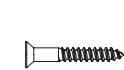
Wood planks



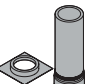
Construction wood



Stuv handle



No. 8 Wood screws



Chimney kit

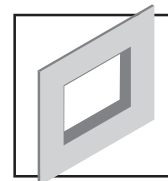


You have chosen a Stûv fireplace ; we thank you for it! It has been designed to offer maximum pleasure, comfort and safety. The utmost care has been taken in manufacturing it. If, despite this, you should still find a flaw, please contact your dealer.

This manual describes a standard installation of a Stûv 21 unit. To install a frame, a front panel, a linear grille or any other option, it is necessary to respect, when applicable, certain specificities that are outlined in the appendices provided. If the appendix is missing, contact customer service and ask for the specific instruction using the code under the icon.

**Look for these symbols.** They mean that there is a change compared to a standard installation. It is very important to review the manual and appendices before starting and to follow them during installation to ensure no steps are omitted.

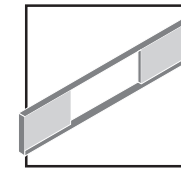
Keep all instructions provided at all times, thus ensuring proper and safe installation.



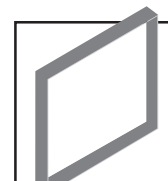
**SF4 FRONT PANEL**  
9310400015



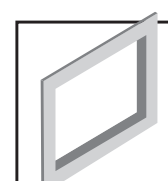
**SF5 & SF6 FRONT PANEL**  
9310400005



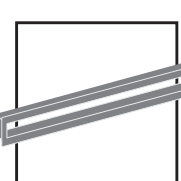
**SF8 FRONT PANEL**  
9310400016



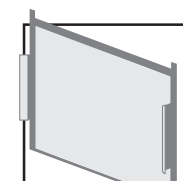
**THIN EDGE FRAME**  
9310400013



**PICTURE TYPE FRAME**  
9310400014



**LINEAR GRILLE**  
9310400017



**REMOVABLE**  
9310400034



**IMPORTANT**

Before installing this Stûv unit, contact the local authorities and/or your insurance company to obtain a building permit and inquire about all the requirements that need to be met.

For information on all the applicable regulatory requirements, contact your local fire department before starting the installation.

# TABLE OF CONTENTS

## 1. CERTIFICATION 4

- 1.1 Safety Instructions 5
- 1.2 Technical Specifications 6
- 1.3 Marking labels 7

## 2. COMPONENTS 8

- 2.1 List of components 9
- 2.2 Convection Kit 12
- 2.3 Optional Kits 13

## 3. DIMENSIONS 14

- 3.1 Simple face 15
- 3.2 Double face 16
- 3.3 R value 17
- 3.4 Floor protection 17
- 3.5 Framework characteristics 18
- 3.6 Non-combustible material 18
- 3.7 Air Supply 19
- 3.8 Fitted television 21
- 3.9 Shelf made of combustible material 21
- 3.10 Hearth extension 22
- 3.11 Corner installation 22
- 3.12 Risk area 23

## 4. INSTALLATION 24

- 4.1 Unpacking 25
- 4.2 Option: Adjustable stands 28
- 4.3 Option: Airtight box 30
- 4.4 Door and pulleys 32
- 4.5 Preparing for convection 34
- 4.6 Mounting the unsulated shell 37
- 4.7 Leveling the unit 39
- 4.8 Interior of combustion chamber 40
- 4.9 Convection installation 44
- 4.10 Finishing without a front panel 46
- 4.11 Recap 47

## 5. CHIMNEY 48

- 5.1 Dimensions and certification 49
- 5.2 Typical installation 50
- 5.3 Masonry Chimney 51

## 6. USE 52

- 6.1 Wood selection 52
- 6.2 Do not use 53
- 6.3 Firescreen 53
- 6.4 Starting the fire 54
- 6.5 Reloading the fire 55
- 6.6 Ash Removal 55

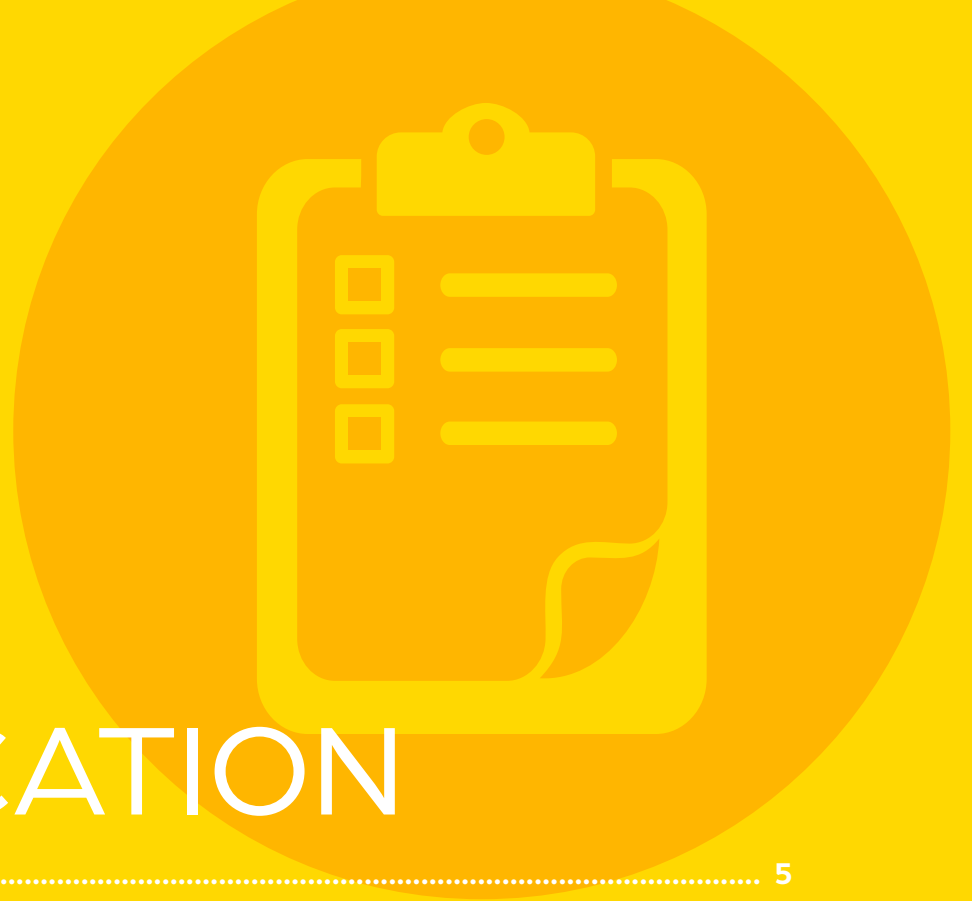
## 7. MAINTENANCE 57

- 7.1 Regular maintenance 58
- 7.2 Annual maintenance 58
- 7.3 Creosote and chimney-sweeping 60
- 7.4 Pulleys and counterweights 60
- 7.5 Components replacement 61

## 8. WARRANTY 66

- 8.1 Warranty details 67
- 8.2 Warranty form 68

# 1



## CERTIFICATION

1.1	SAFETY INSTRUCTIONS .....	5
1.2	TECHNICAL SPECIFICATIONS .....	6
1.3	MARKING LABELS .....	7



**Tested and certified by CSA**  
as for standard:

**ULC-S610:2018 & UL 127 – 9<sup>th</sup> Edition**

**EPA** Not applicable for decorative wood burning fireplaces

**CHIMNEY TYPE** : UL-103HT or ULC-S629

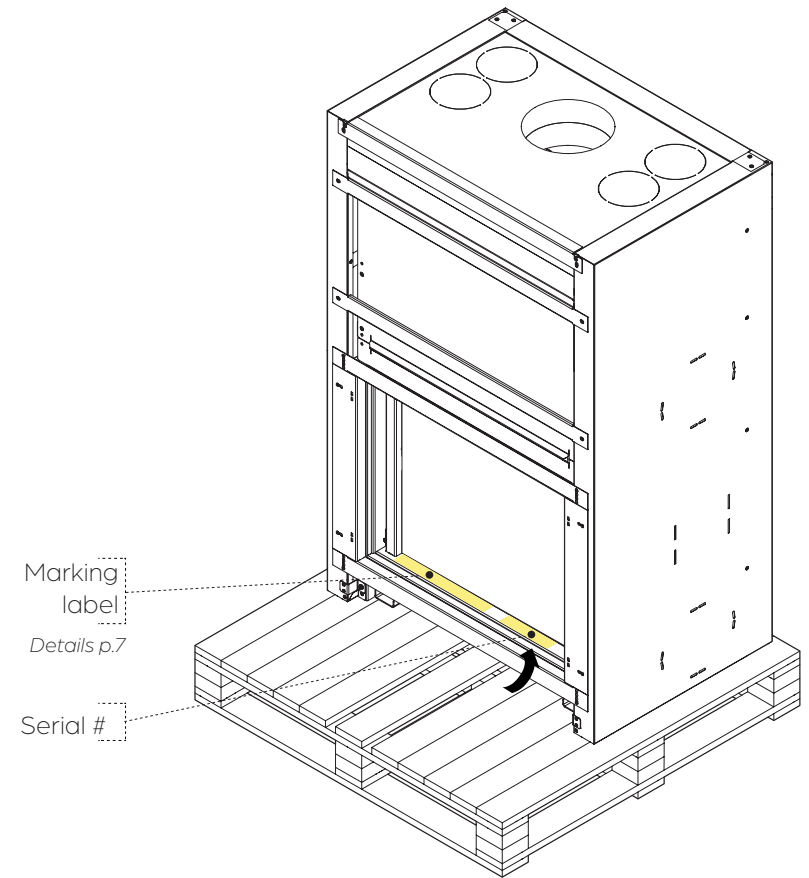
This wood heater must be installed in accordance with standard **CSA B365 (Canada) or N.F.P.A. 211 (United States)**, the Installation Code for Solid-Fuel-Burning Appliances and Equipment, the applicable building code and standards applicable to the structure in which the insert will be installed.

The instructions for the installation of this wood heater comply with the above-mentioned standards. They must be closely followed to eliminate the risk of serious problems.

This Stûv unit must be installed by a qualified professional. Improper installation could result in a fire.

To reduce the risk of fire, read this manual carefully before installing or using the wood heater. If the installation instructions are not followed and the wood heater is improperly installed, the risk of incident increases. This can result in fire, property damage, bodily injury and even death.

Keep these instructions for future reference.



## NOTE

We strongly recommend that our products be installed and maintained by professionals certified by the Association des Professionnels du Chauffage if you are in Quebec or by Wood Energy Technical Training for the rest of Canada, and by the National Fireplace Institute in the United States.



This Stûv fireplace must be registered to be covered by the warranty. Please refer to the last section of this document for guidance.

The marking label is located on the cap shown above. The product serial number can be found on the riveted label above the hearth. You will find all the information you need to register your product.

# 1.1 SAFETY INSTRUCTIONS



## CAUTION

- It is essential that the installation of this Stûv be carried out by a qualified professional. For all applicable regulatory requirements, contact the local fire department before beginning work.
- The instructions for the installation of this unit comply with the abovementioned standards. They must be closely followed to eliminate the risk of serious problems. Any use contrary to the user manual is a violation of federal law.
- Improper installation of this Stûv unit could result in a fire. To reduce the risk of fire, follow the installation instructions to the letter. Failure to follow the instructions in this manual may result in property damage, bodily injury or death.
- This unit requires periodic inspection and maintenance for proper operation (minimum three times during the heating season).
- Any modifications made to this unit may pose a hazard and will void the warranty. Should repairs be necessary, use only Stûv replacement parts.
- Combustible materials such as firewood, wet clothing, etc. placed too close to the unit could catch fire.
- We recommend storing solid fuels in a clean, dry environment. Do not place this type of fuel within the risk area or in the loading/ash removal area.
- Never use the fireplace with the door open unless it is equipped with a firescreen (available as an option).
- Never leave the fireplace unattended when the door is open.
- Always close the door after the ignition period.
- Do not burn garbage, plastic, petroleum-based materials, gasoline, rubber, industrial solvents, flammable liquids such as naphtha and motor oil, paper, cardboard, wood extracted from salt water and dried, painted wood or any substance that emit dense fumes and strong odours.
- Make sure the home is equipped with a smoke and carbon monoxide detector.
- Do not connect this appliance to a chimney flue serving another appliance.
- This unit is hot when in use. Keep children, clothing and furniture at a safe distance. Touching the appliance while it is in operation may cause burns.
- Some parts of the fireplace can be very hot when operated at rated capacity.
- Do not allow the fireplace to heat to the point where parts become red.
- Do not use a grate or other methods to elevate the fuel. Burn firewood directly on the firebricks.
- Do not overheat the unit. Attempting to exceed the single burn rate of this unit may permanently damage it.
- Conduct regular maintenance of the fireplace as previously recommended.
- Never use chemicals or other liquids such as gasoline, gasoline-based lantern fuel, kerosene, charcoal liquid, or similar liquids to start or feed a fire in the fireplace. Keep all such liquids away from the unit while it is in operation.
- Do not install this unit in a mobile home.
- The air inlets and outlets must remain free of obstacles at all times.
- The installation of the unit must comply with all local and national regulations.
- Inspect and sweep the chimney frequently. In certain operating conditions, creosote can build up quickly. Inspect and repair the insert to ensure proper operation.
- Objects placed in front of the unit must be kept at a distance of at least 48" (4') from the unit's glass face.

# 1.2 TECHNICAL SPECIFICATIONS

SIMPLE FACE	21-85 SF	21-95 SF	21-105 SF	21-125 SF
Maximum power BTU/h	44 000*	43 000*	65 000*	60 000*
Performance	77%	< 70%	77%	< 70%
Fines particule emission	EPA Not applicable for decorative wood burning fireplaces			
Max log length	24"	28"	32"	40"
Weight	665 lbs	820 lbs	688 lbs	892 lbs
Combustion chamber volume	4.77 pi <sup>3</sup>	6.58 pi <sup>3</sup>	5.28 pi <sup>3</sup>	8.38 pi <sup>3</sup>
Wood consumption/H	12-14 lbs	13-15 lbs	12-14 lbs	13-15 lbs
Maximum wood/H concompion (to avoid overheating)	26 lbs	28 lbs	26 lbs	28 lbs
Fuel	WOOD			

DOUBLE FACE	21-85 DF	21-95 DF	21-125 DF
Maximum power BTU/h	48 000*	50 000*	61 000*
Performance	72%	< 70%	< 70%
Fines particule emission	EPA Not applicable for decorative wood burning fireplaces		
Max log length	24"	28"	40"
Weight	752 lbs	855 lbs	960 lbs
Combustion chamber volume	6.47 pi <sup>3</sup>	8.4 pi <sup>3</sup>	10.61 pi <sup>3</sup>
Wood consumption/H	13-15 lbs	13-15 lbs	13-15 lbs
Maximum wood/H concompion (to avoid overheating)	28 lbs	28 lbs	28 lbs
Fuel	WOOD		

\* These nominal heat outputs were obtained according to a European testing protocol.

# 1.3 MARKING LABELS



## MODELS/MODÈLES: STÛV 21-75 DF, 21-85 DF

MANUFACTURED BY / FABRIQUÉ PAR:

**STÛV S.A.** rue Jules Borbouse 4  
B-5170 Bois-de-Villers, Belgium [stuv.be]

DATE OF MANUFACTURE / DATE DE FABRICATION					
2022	JAN	FEB	MAR	APR	
2023	MAY	JUN	JUL	AUG	
2024	SEP	OCT	NOV	DEC	

LABEL NO. / NO. D'ÉTIQUETTE: **000 000**



## MODELS/MODÈLES: STÛV 21-95 DF, 21-125 DF

MANUFACTURED BY / FABRIQUÉ PAR:

**STÛV S.A.** rue Jules Borbouse 4  
B-5170 Bois-de-Villers, Belgium [stuv.be]

DATE OF MANUFACTURE / DATE DE FABRICATION					
2022	JAN	FEB	MAR	APR	
2023	MAY	JUN	JUL	AUG	
2024	SEP	OCT	NOV	DEC	

LABEL NO. / NO. D'ÉTIQUETTE: **000 000**



## MODELS/MODÈLES: STÛV 21-65H\*, 21-75\*, 21-85, 21-105 SF

MANUFACTURED BY / FABRIQUÉ PAR:

**STÛV S.A.** rue Jules Borbouse 4  
B-5170 Bois-de-Villers, Belgium [stuv.be]

DATE OF MANUFACTURE / DATE DE FABRICATION					
2022	JAN	FEB	MAR	APR	
2023	MAY	JUN	JUL	AUG	
2024	SEP	OCT	NOV	DEC	

LABEL NO. / NO. D'ÉTIQUETTE: **000 000**



## MODELS/MODÈLES: STÛV 21-95 SF, 21-125 SF, 21-135 SF

MANUFACTURED BY / FABRIQUÉ PAR:

**STÛV S.A.** rue Jules Borbouse 4  
B-5170 Bois-de-Villers, Belgium [stuv.be]

DATE OF MANUFACTURE / DATE DE FABRICATION					
2022	JAN	FEB	MAR	APR	
2023	MAY	JUN	JUL	AUG	
2024	SEP	OCT	NOV	DEC	

LABEL NO. / NO. D'ÉTIQUETTE: **000 000**



**CERTIFIED AND CONFORMS TO:**  
**CERTIFIÉ CONFORMÉMENT SELON:**  
ULC-S610 : 2018 & UL 127 - 9<sup>th</sup> Edition,  
U.S. ENVIRONMENTAL PROTECTION AGENCY  
Not affected wood heaters / Non applicable aux foyers aux bois

**LISTED FACTORY BUILT FIREPLACE**  
NOT SUITABLE FOR MOBILE HOME INSTALLATION.  
Certified for use in Canada and United-States.

**FOYER HOMOLOGUÉ CONSTRUIT EN USINE**  
NE PAS INSTALLER DANS UNE MAISON MOBILE.  
Usage homologué au Canada et aux États-Unis.

**CHIMNEY TYPE (See manual for appropriate choice)**

Use only a 10 inch insulated chimney listed per ULC-S629 or UL-103HT.

**TYPE DE CHEMINÉE (Voir le manuel d'instruction pour les bons choix)**  
Utiliser uniquement une cheminée de 10 pouces isolée répertoriée selon la norme ULC-S629 ou UL-103HT

MADE IN BELGIUM / FABRIQUÉ EN BELGIQUE

**CERTIFIED AND CONFORMS TO:**  
**CERTIFIÉ CONFORMÉMENT SELON:**  
ULC-S610 : 2018 & UL 127 - 9<sup>th</sup> Edition,  
U.S. ENVIRONMENTAL PROTECTION AGENCY  
Not affected wood heaters / Non applicable aux foyers aux bois

**LISTED FACTORY BUILT FIREPLACE**  
NOT SUITABLE FOR MOBILE HOME INSTALLATION.  
Certified for use in Canada and United-States.

**FOYER HOMOLOGUÉ CONSTRUIT EN USINE**  
NE PAS INSTALLER DANS UNE MAISON MOBILE.  
Usage homologué au Canada et aux États-Unis.

**CHIMNEY TYPE (See manual for appropriate choice)**

Use only a 12 inch insulated chimney listed per ULC-S629 or UL-103HT.

**TYPE DE CHEMINÉE (Voir le manuel d'instruction pour les bons choix)**  
Utiliser uniquement une cheminée de 12 pouces isolée répertoriée selon la norme ULC-S629 ou UL-103HT

MADE IN BELGIUM / FABRIQUÉ EN BELGIQUE

**CERTIFIED AND CONFORMS TO:**  
**CERTIFIÉ CONFORMÉMENT SELON:**  
ULC-S610 : 2018 & UL 127 - 9<sup>th</sup> Edition,  
U.S. ENVIRONMENTAL PROTECTION AGENCY  
Not affected wood heaters / Non applicable aux foyers aux bois

**LISTED FACTORY BUILT FIREPLACE**  
NOT SUITABLE FOR MOBILE HOME INSTALLATION.  
Certified for use in Canada and United-States.

**FOYER HOMOLOGUÉ CONSTRUIT EN USINE**  
NE PAS INSTALLER DANS UNE MAISON MOBILE.  
Usage homologué au Canada et aux États-Unis.

**CHIMNEY TYPE (See manual for appropriate choice)**

Use only a 8 inch insulated chimney listed per ULC-S629 or UL-103HT.

**TYPE DE CHEMINÉE (Voir le manuel d'instruction pour les bons choix)**  
Utiliser uniquement une cheminée de 8 pouces isolée répertoriée selon la norme ULC-S629 ou UL-103HT

MADE IN BELGIUM / FABRIQUÉ EN BELGIQUE

**CERTIFIED AND CONFORMS TO:**  
**CERTIFIÉ CONFORMÉMENT SELON:**  
ULC-S610 : 2018 & UL 127 - 9<sup>th</sup> Edition,  
U.S. ENVIRONMENTAL PROTECTION AGENCY  
Not affected wood heaters / Non applicable aux foyers aux bois

**LISTED FACTORY BUILT FIREPLACE**  
NOT SUITABLE FOR MOBILE HOME INSTALLATION.  
Certified for use in Canada and United-States.

**FOYER HOMOLOGUÉ CONSTRUIT EN USINE**  
NE PAS INSTALLER DANS UNE MAISON MOBILE.  
Usage homologué au Canada et aux États-Unis.

**CHIMNEY TYPE (See manual for appropriate choice)**

Use only a 10 inch insulated chimney listed per ULC-S629 or UL-103HT.

**TYPE DE CHEMINÉE (Voir le manuel d'instruction pour les bons choix)**  
Utiliser uniquement une cheminée de 10 pouces isolée répertoriée selon la norme ULC-S629 ou UL-103HT

MADE IN BELGIUM / FABRIQUÉ EN BELGIQUE

**Clearance to combustible materials using the Stûv insulated shell / Dégagement aux matériaux combustibles utilisant le caisson isolé Stûv:**  
SIDE WALL / PAROIS LATÉRALES: 0 mm (0")  
BACK WALL / MUR ARRIÈRE: N/A  
CEILING / PLAFOND: 1,98 m (7'8")

**Couvrir le plancher de 2 épaisseurs de panneaux de fibrociment 1/2".**

SUIVRE LES INSTRUCTIONS D'INSTALLATION DU MANUEL DE L'UTILISATEUR POUR LES DÉTAILS.

**Cover floor using 2 layers of 1/2" fibrocement board.**

FOLLOW THE INSTALLATION INSTRUCTIONS IN THE OWNER'S MANUAL FOR DETAILS.

Do not use a fireplace insert or other products not specified for use with this product.

Ne pas utiliser d'encastables ou autres produits non spécifiés avec ce foyer.

DO NOT REMOVE THIS LABEL / NE PAS RETIRER CETTE ÉTIQUETTE

**Clearance to combustible materials using the Stûv insulated shell / Dégagement aux matériaux combustibles utilisant le caisson isolé Stûv:**  
SIDE WALL / PAROIS LATÉRALES: 0 mm (0")  
BACK WALL / MUR ARRIÈRE: N/A  
CEILING / PLAFOND: 1,98 m (7'8")

**Couvrir le plancher de 2 épaisseurs de panneaux de fibrociment 1/2".**

SUIVRE LES INSTRUCTIONS D'INSTALLATION DU MANUEL DE L'UTILISATEUR POUR LES DÉTAILS.

**Cover floor using 2 layers of 1/2" fibrocement board.**

FOLLOW THE INSTALLATION INSTRUCTIONS IN THE OWNER'S MANUAL FOR DETAILS.

Do not use a fireplace insert or other products not specified for use with this product.

Ne pas utiliser d'encastables ou autres produits non spécifiés avec ce foyer.

DO NOT REMOVE THIS LABEL / NE PAS RETIRER CETTE ÉTIQUETTE

**Clearance to combustible materials using the Stûv insulated shell / Dégagement aux matériaux combustibles utilisant le caisson isolé Stûv:**  
SIDE WALL / PAROIS LATÉRALES: 0 mm (0")  
BACK WALL / MUR ARRIÈRE: 0 mm (0")  
CEILING / PLAFOND: 1,98 m (7'8")

**Couvrir le plancher de 2 épaisseurs de panneaux de fibrociment 1/2".**

SUIVRE LES INSTRUCTIONS D'INSTALLATION DU MANUEL DE L'UTILISATEUR POUR LES DÉTAILS.

**Cover floor using 2 layers of 1/2" fibrocement board.**

FOLLOW THE INSTALLATION INSTRUCTIONS IN THE OWNER'S MANUAL FOR DETAILS.

Do not use a fireplace insert or other products not specified for use with this product.

Ne pas utiliser d'encastables ou autres produits non spécifiés avec ce foyer.

DO NOT REMOVE THIS LABEL / NE PAS RETIRER CETTE ÉTIQUETTE

\* models 21.65H-SF & 21.75-SF may not be sold or operated within the United States.

- Fuel: Cord wood Only.
- Floor must be protected as specified in the manual. For safe operation, install in accordance with the manufacturer's instructions.
- Replace glass only with Stûv's ceramic glass 4 mm thick.
- Do not operate unit with door open except by using a screen. Components used with fireplace must be listed. See manual.
- Contact your local building or fire officials about restrictions and installation inspections in your area.
- Unit must be connected to a minimum of 2 ambient-air inlet and 2 hot-air outlet using 6" flexible insulated system (Stûv).
- Do not obstruct air inlet and outlet in any case.
- Refer to manual for optional components.
- Do not connect this unit to a chimney flue serving another appliance.
- Inspect and clean chimney frequently - Under certain conditions of use, creosote buildup may occur rapidly. Do not overfire unit.
- **CAUTION** When a fire is burning in the fireplace, fresh air must be supplied to the room where the fireplace is located. Failure to provide this may starve other fuel burning appliance from an adequate air supply.

- Fuel: Cord wood Only.
- Floor must be protected as specified in the manual. For safe operation, install in accordance with the manufacturer's instructions.
- Replace glass only with Stûv's ceramic glass 4 mm thick.
- Do not operate unit with door open except by using a screen. Components used with fireplace must be listed. See manual.
- Contact your local building or fire officials about restrictions and installation inspections in your area.
- Unit must be connected to a minimum of 2 ambient-air inlet and 2 hot-air outlet using 6" flexible insulated system (Stûv).
- Do not obstruct air inlet and outlet in any case.
- Refer to manual for optional components.
- Do not connect this unit to a chimney flue serving another appliance.
- Inspect and clean chimney frequently - Under certain conditions of use, creosote buildup may occur rapidly. Do not overfire unit.
- **CAUTION** When a fire is burning in the fireplace, fresh air must be supplied to the room where the fireplace is located. Failure to provide this may starve other fuel burning appliance from an adequate air supply.

- Fuel: Cord wood Only.
- Floor must be protected as specified in the manual. For safe operation, install in accordance with the manufacturer's instructions.
- Replace glass only with Stûv's ceramic glass 4 mm thick.
- Do not operate unit with door open except by using a screen. Components used with fireplace must be listed. See manual.
- Contact your local building or fire officials about restrictions and installation inspections in your area.
- Unit must be connected to a minimum of 2 ambient-air inlet and 2 hot-air outlet using 6" flexible insulated system (Stûv).
- Do not obstruct air inlet and outlet in any case.
- Refer to manual for optional components.
- Do not connect this unit to a chimney flue serving another appliance.
- Inspect and clean chimney frequently - Under certain conditions of use, creosote buildup may occur rapidly. Do not overfire unit.
- **CAUTION** When a fire is burning in the fireplace, fresh air must be supplied to the room where the fireplace is located. Failure to provide this may starve other fuel burning appliance from an adequate air supply.

- Fuel: Cord wood Only.
- Floor must be protected as specified in the manual. For safe operation, install in accordance with the manufacturer's instructions.
- Replace glass only with Stûv's ceramic glass 4 mm thick.
- Do not operate unit with door open except by using a screen. Components used with fireplace must be listed. See manual.
- Contact your local building or fire officials about restrictions and installation inspections in your area.
- Unit must be connected to a minimum of 2 ambient-air inlet and 2 hot-air outlet using 6" flexible insulated system (Stûv).
- Do not obstruct air inlet and outlet in any case.
- Refer to manual for optional components.
- Do not connect this unit to a chimney flue serving another appliance.
- Inspect and clean chimney frequently - Under certain conditions of use, creosote buildup may occur rapidly. Do not overfire unit.
- **CAUTION** When a fire is burning in the fireplace, fresh air must be supplied to the room where the fireplace is located. Failure to provide this may starve other fuel burning appliance from an adequate air supply.

- Combustible: Bois de corde seulement.
- Le plancher doit être protégé tel que spécifié dans le manuel. Pour un fonctionnement sécuritaire, installez conformément aux directives du fabricant.
- Remplacez le verre uniquement par un verre de céramique Stûv 4 mm d'épais.
- Ne pas utiliser l'appareil la porte ouverte sauf utilisant un pare-éclisses.
- Les composants utilisés dans l'appareil doivent être répertoriés. Voir manuel.
- Communiquez avec les autorités locales en matière de construction ou d'incendie pour connaître les restrictions et inspections d'installation dans votre région.
- Cet appareil doit être raccordé à un minimum de 2 entrées d'air ambiant et 2 sorties d'air chaud avec des conduits flexibles 6" isolés (Stûv).
- Ne pas obstruer les entrées et sorties d'air en aucun cas.
- Ne reliez pas cet appareil à un conduit de cheminée servant un autre appareil.
- Inspectez et nettoyez la cheminée fréquemment - Dans certaines conditions d'utilisation, l'accumulation de créosote peut se faire rapidement.
- **ATTENTION:** Lorsque le foyer brûle, un apport d'air supplémentaire doit être prévu dans la pièce. Un manque d'air d'appoint pourrait priver les autres appareils de combustion d'une alimentation d'air adéquate.

- Combustible: Bois de corde seulement.
- Le plancher doit être protégé tel que spécifié dans le manuel. Pour un fonctionnement sécuritaire, installez conformément aux directives du fabricant.
- Remplacez le verre uniquement par un verre de céramique Stûv 4 mm d'épais.
- Ne pas utiliser l'appareil la porte ouverte sauf utilisant un pare-éclisses.
- Les composants utilisés dans l'appareil doivent être répertoriés. Voir manuel.
- Communiquez avec les autorités locales en matière de construction ou d'incendie pour connaître les restrictions et inspections d'installation dans votre région.
- Cet appareil doit être raccordé à un minimum de 2 entrées d'air ambiant et 2 sorties d'air chaud avec des conduits flexibles 6" isolés (Stûv).
- Ne pas obstruer les entrées et sorties d'air en aucun cas.
- Ne reliez pas cet appareil à un conduit de cheminée servant un autre appareil.
- Inspectez et nettoyez la cheminée fréquemment - Dans certaines conditions d'utilisation, l'accumulation de créosote peut se faire rapidement.
- **ATTENTION:** Lorsque le foyer brûle, un apport d'air supplémentaire doit être prévu dans la pièce. Un manque d'air d'appoint pourrait priver les autres appareils de combustion d'une alimentation d'air adéquate.

- Combustible: Bois de corde seulement.
- Le plancher doit être protégé tel que spécifié dans le manuel. Pour un fonctionnement sécuritaire, installez conformément aux directives du fabricant.
- Remplacez le verre uniquement par un verre de céramique Stûv 4 mm d'épais.
- Ne pas utiliser l'appareil la porte ouverte sauf utilisant un pare-éclisses.
- Les composants utilisés dans l'appareil doivent être répertoriés. Voir manuel.
- Communiquez avec les autorités locales en matière de construction ou d'incendie pour connaître les restrictions et inspections d'installation dans votre région.
- Cet appareil doit être raccordé à un minimum de 2 entrées d'air ambiant et 2 sorties d'air chaud avec des conduits flexibles 6" isolés (Stûv).
- Ne pas obstruer les entrées et sorties d'air en aucun cas.
- Ne reliez pas cet appareil à un conduit de cheminée servant un autre appareil.
- Inspectez et nettoyez la cheminée fréquemment - Dans certaines conditions d'utilisation, l'accumulation de créosote peut se faire rapidement.
- **ATTENTION:** Lorsque le foyer brûle, un apport d'air supplémentaire doit être prévu dans la pièce. Un manque d'air d'appoint pourrait priver les autres appareils de combustion d'une alimentation d'air adéquate.

- Combustible: Bois de corde seulement.
- Le plancher doit être protégé tel que spécifié dans le manuel. Pour un fonctionnement sécuritaire, installez conformément aux directives du fabricant.
- Remplacez le verre uniquement par un verre de céramique Stûv 4 mm d'épais.
- Ne pas utiliser l'appareil la porte ouverte sauf utilisant un pare-éclisses.
- Les composants utilisés dans l'appareil doivent être répertoriés. Voir manuel.
- Communiquez avec les autorités locales en matière de construction ou d'incendie pour connaître les restrictions et inspections d'installation dans votre région.
- Cet appareil doit être raccordé à un minimum de 2 entrées d'air ambiant et 2 sorties d'air chaud avec des conduits flexibles 6" isolés (Stûv).
- Ne pas obstruer les entrées et sorties d'air en aucun cas.
- Ne reliez pas cet appareil à un conduit de cheminée servant un autre appareil.
- Inspectez et nettoyez la cheminée fréquemment - Dans certaines conditions d'utilisation, l'accumulation de créosote peut se faire rapidement.
- **ATTENTION:** Lorsque le foyer brûle, un apport d'air supplémentaire doit être prévu dans la pièce. Un manque d'air d'appoint pourrait priver les autres appareils de combustion d'une alimentation d'air adéquate.

# 2

## COMPONENTS



2.1	LIST OF COMPONENTS .....	9
2.2	CONVECTION KIT .....	12
2.3	OPTIONAL KITS .....	13

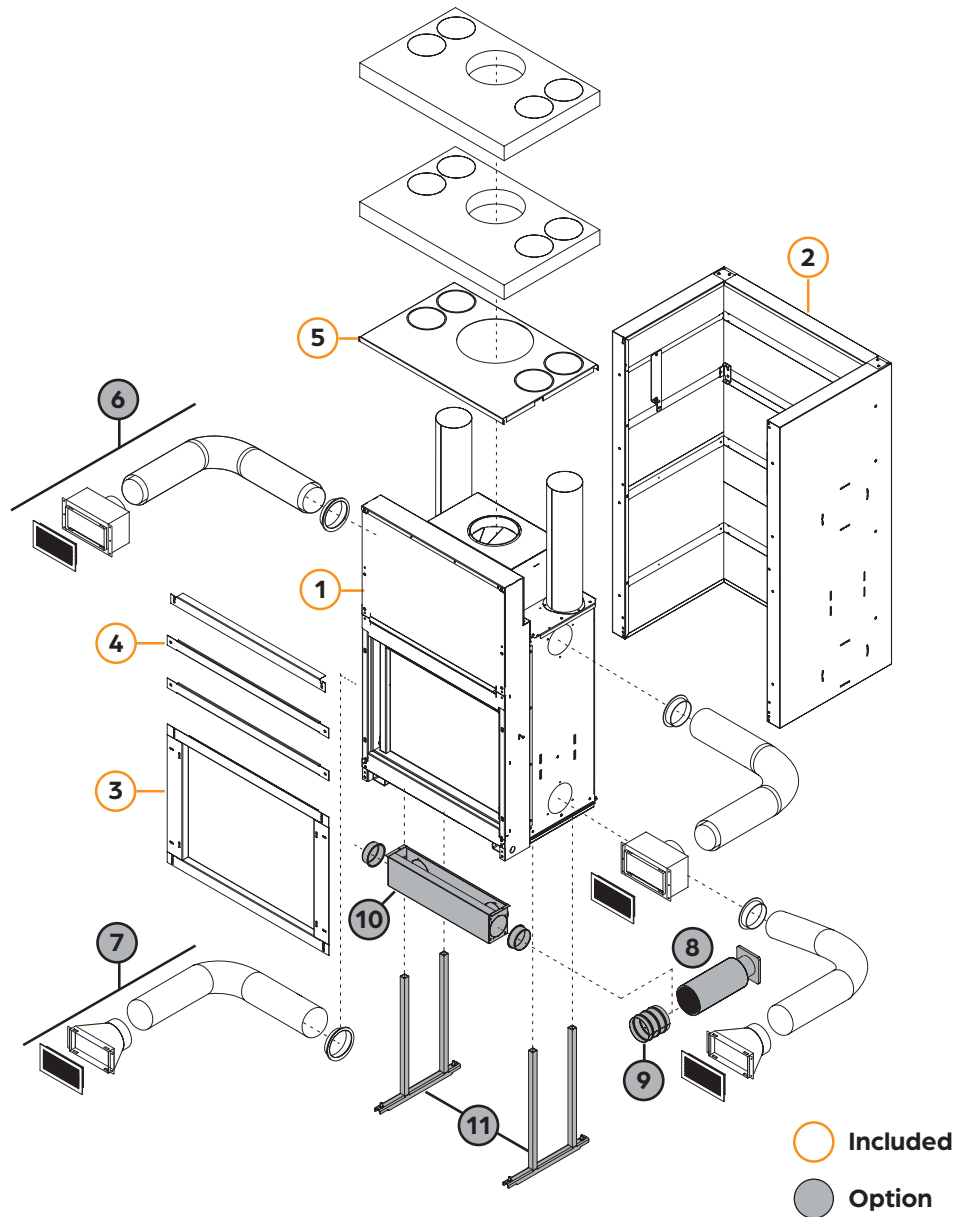


# 2.1 LIST OF COMPONENTS



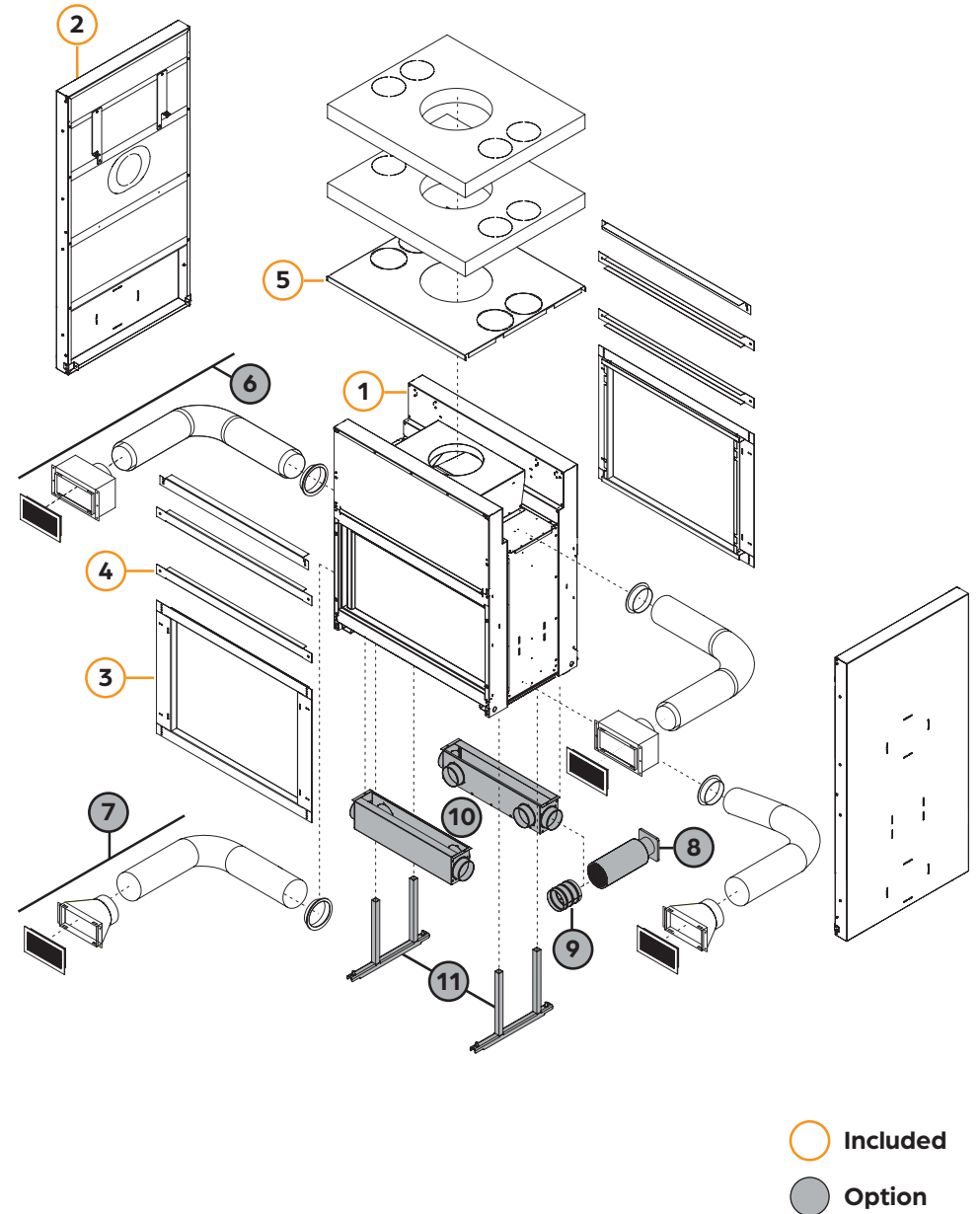
## SIMPLE FACE (SF)

See table for code and description



## DOUBLE FACE (DF)

See table for code and description



## 2.1 LIST OF COMPONENTS



### 21-85 SF

FW1002102300

#	DESCRIPTION	PRODUCT CODE	INCLUDED OR OPTION	Q <sup>TY</sup>
1	Fireplace	N/A	Included	1
2	Insulated shell	N/A	Included	1
3	Hearth finishing trims	N/A	Included	1
				2
4	Horizontal finishing trims	N/A	Included	2
				1
5	Wool support plate	N/A	Included	1
6	Hot air outlet (convection kit)	AW1200100015	Option	2
7	Cold air inlet (convection kit)		Option	2
8	Outside air kit	AW1200200001	Option	1
9	Air damper 4"	AW1200100300	Option	1
10	Airtight box	AW1200202700	Option	1
11	Adjustable stand	AW1300200000	Option	1

### 21-95 SF

FW1002102700

#	DESCRIPTION	PRODUCT CODE	INCLUDED OR OPTION	Q <sup>TY</sup>
1	Fireplace	N/A	Included	1
2	Insulated shell	N/A	Included	1
3	Hearth finishing trims	N/A	Included	1
				2
4	Horizontal finishing trims	N/A	Included	2
				1
5	Wool support plate	N/A	Included	1
6	Hot air outlet (convection kit)	AW1200100015	Option	2
7	Cold air inlet (convection kit)		Option	2
8	Outside air kit	AW1200200001	Option	1
9	Air damper 4"	AW1200100300	Option	1
10	Airtight box	AW1200203600	Option	1
11	Adjustable stand	AW1300200000	Option	1

### 21-105 SF

FW1002102400

#	DESCRIPTION	PRODUCT CODE	INCLUDED OR OPTION	Q <sup>TY</sup>
1	Fireplace	N/A	Included	1
2	Insulated shell	N/A	Included	1
3	Hearth finishing trims	N/A	Included	1
				2
4	Horizontal finishing trims	N/A	Included	2
				1
5	Wool support plate	N/A	Included	1
6	Hot air outlet (convection kit)	AW1200100015	Option	2
7	Cold air inlet (convection kit)		Option	2
8	Outside air kit	AW1200200001	Option	1
9	Air damper 4"	AW1200100300	Option	1
10	Airtight box	AW1200202800	Option	1
11	Adjustable stand	AW1300200000	Option	1

### 21-125 SF

FW1002102800

#	DESCRIPTION	PRODUCT CODE	INCLUDED OR OPTION	Q <sup>TY</sup>
1	Fireplace	N/A	Included	1
2	Insulated shell	N/A	Included	1
3	Hearth finishing trims	N/A	Included	1
				2
4	Horizontal finishing trims	N/A	Included	2
				1
5	Wool support plate	N/A	Included	1
6	Hot air outlet (convection kit)	AW1200100015	Option	2
7	Cold air inlet (convection kit)		Option	2
8	Outside air kit	AW1200200001	Option	1
9	Air damper 4"	AW1200100300	Option	1
10	Airtight box	AW1200206500	Option	1
11	Adjustable stand	AW1300200000	Option	1

## 2.1 LIST OF COMPONENTS



21-85 DF

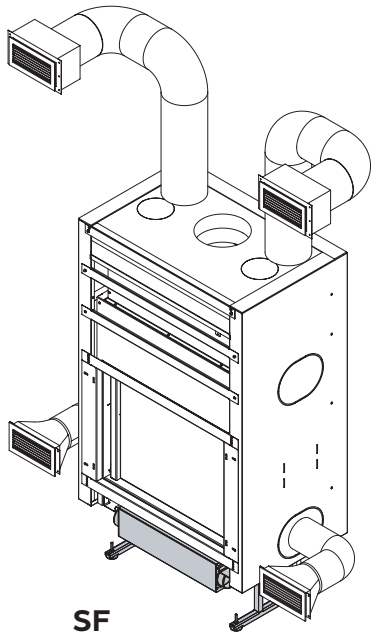
FW1002103000

#	DESCRIPTION	PRODUCT CODE	INCLUDED OR OPTION	Q <sup>TY</sup>
1	Fireplace	N/A	Included	1
2	Insulated shell	N/A	Included	1
3	Hearth finishing trims	N/A	Included	2
				4
4	Horizontal finishing trims	N/A	Included	4
				2
5	Wool support plate	N/A	Included	1
6	Hot air outlet (convection kit)	AW1200100015	Option	2
7	Cold air inlet (convection kit)		Option	2
8	Outside air kit	AW1200200001	Option	1
9	Air damper 4"	AW1200100300	Option	1
10	Airtight box	AW1200202701	Option	2
11	Adjustable stand	AW1300200000	Option	1

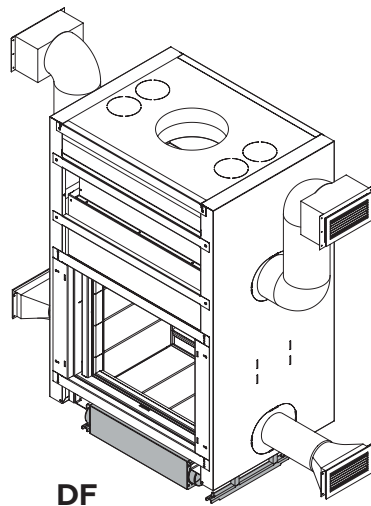
21-95 DF

FW1002103100

#	DESCRIPTION	PRODUCT CODE	INCLUDED OR OPTION	Q <sup>TY</sup>
1	Fireplace	N/A	Included	1
2	Insulated shell	N/A	Included	1
3	Hearth finishing trims	N/A	Included	2
				4
4	Horizontal finishing trims	N/A	Included	4
				2
5	Wool support plate	N/A	Included	1
6	Hot air outlet (convection kit)	AW1200100015	Option	2
7	Cold air inlet (convection kit)		Option	2
8	Outside air kit	AW1200200001	Option	1
9	Air damper 6"	AW1200100200	Option	1
10	Airtight box	AW1200203601	Option	2
11	Adjustable stand	AW1300200000	Option	1



SF



DF

21-125 DF

FW1002103200

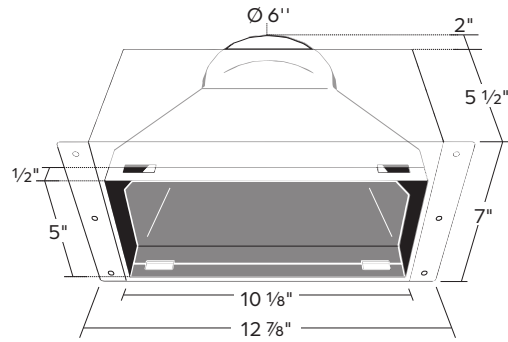
#	DESCRIPTION	PRODUCT CODE	INCLUDED OR OPTION	Q <sup>TY</sup>
1	Fireplace	N/A	Included	1
2	Insulated shell	N/A	Included	1
3	Hearth finishing trims	N/A	Included	4
				2
4	Horizontal finishing trims	N/A	Included	4
				2
5	Wool support plate	N/A	Included	1
6	Hot air outlet (convection kit)	AW1200100015	Option	2
7	Cold air inlet (convection kit)		Option	2
8	Outside air kit	AW1200200001	Option	1
9	Air damper 6"	AW1200100200	Option	1
10	Airtight box	AW1200206501	Option	2
11	Adjustable stand	AW1300200000	Option	1

## 2.2 CONVECTION KIT

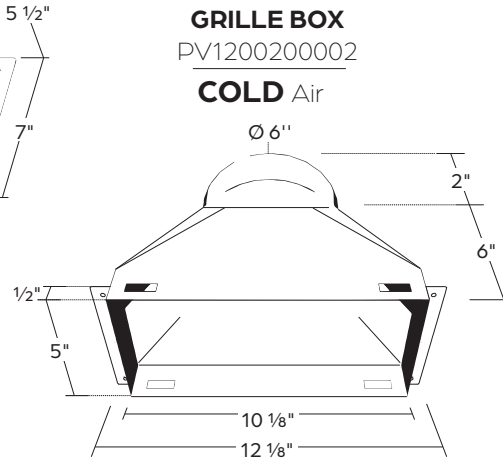


### GRILLE BOXES

For air outlets and intakes



**GRILLE BOX**  
PV1200200008  
**HOT Air**

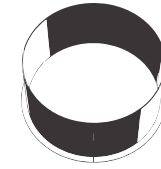
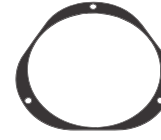


**GRILLE BOX**  
PV1200200002  
**COLD Air**

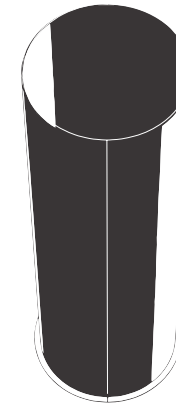
### AIR DUCTS

For convection

**MAXCLIP**  
PV1200200011

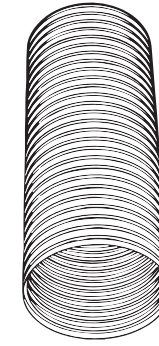


**SHORT FLANGE**  
PV1200200003  
H : 3"



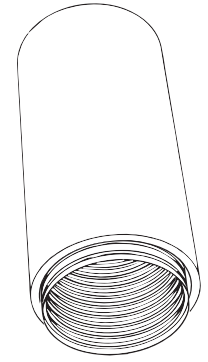
**LONG FLANGE**  
PV1200200009  
H : 24 1/2"

**COLD Air**



**DUCT**  
PV1200200005  
H : 10'

**HOT Air**

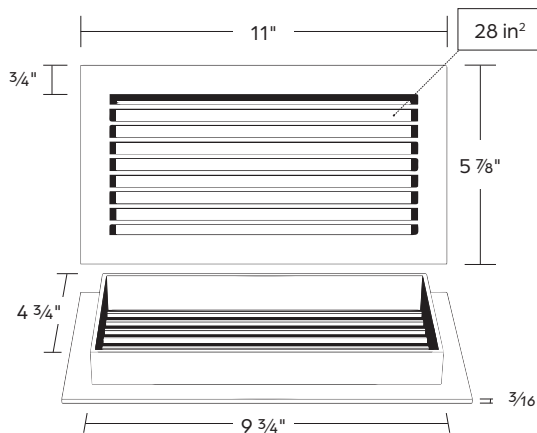


**INSULATED DUCT**  
PV1200200010  
H : 10'

Ø 6"

### GRILLE

To be fixed on the grille boxes



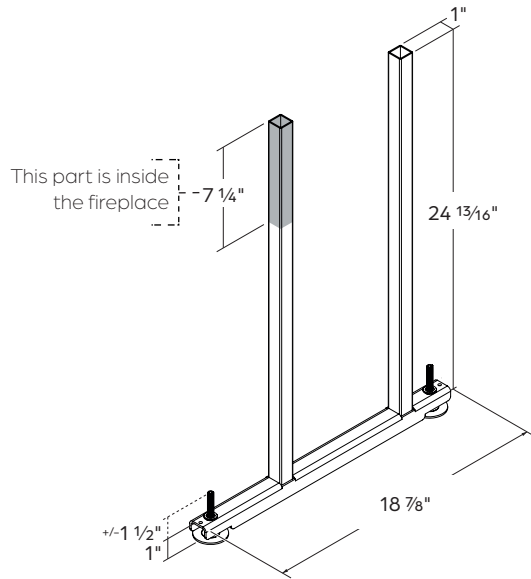
**GRILLE**  
PV1200200006

## 2.3 OPTIONAL KITS (NOT INCLUDED)



### ADJUSTABLE STAND

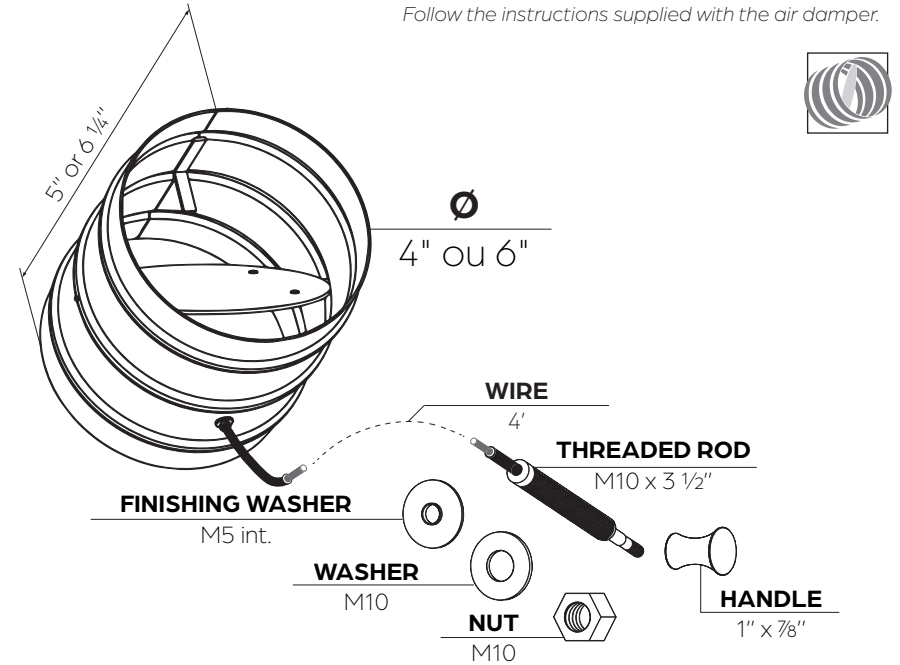
To raise the unit



### AIR DAMPER

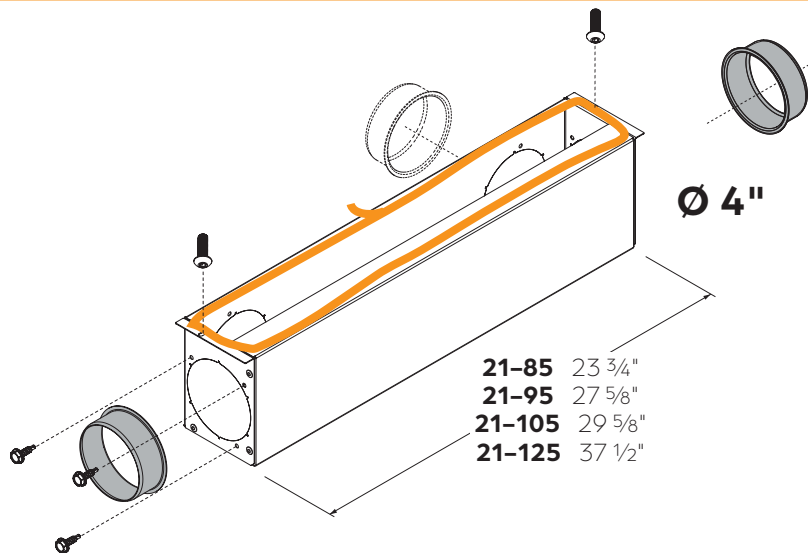
For outside air intake

Follow the instructions supplied with the air damper.



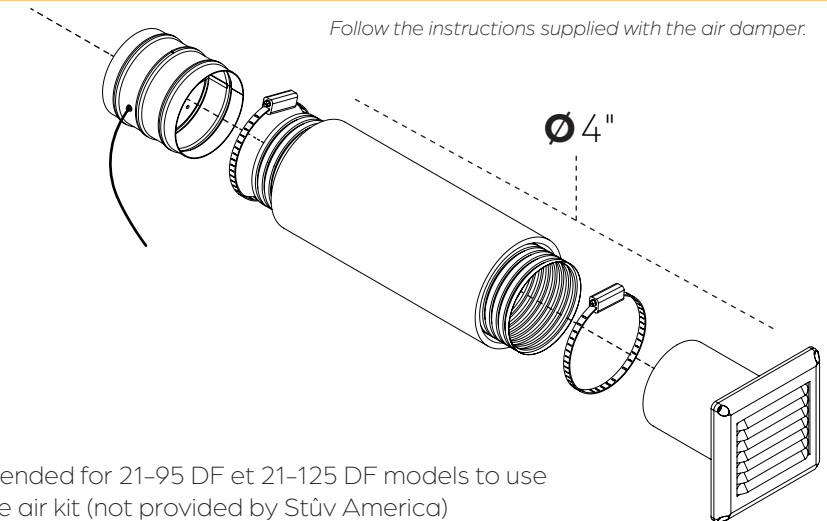
### AIRTIGHT BOX

For outside air intake



### OUTSIDE AIR KIT

Follow the instructions supplied with the air damper.

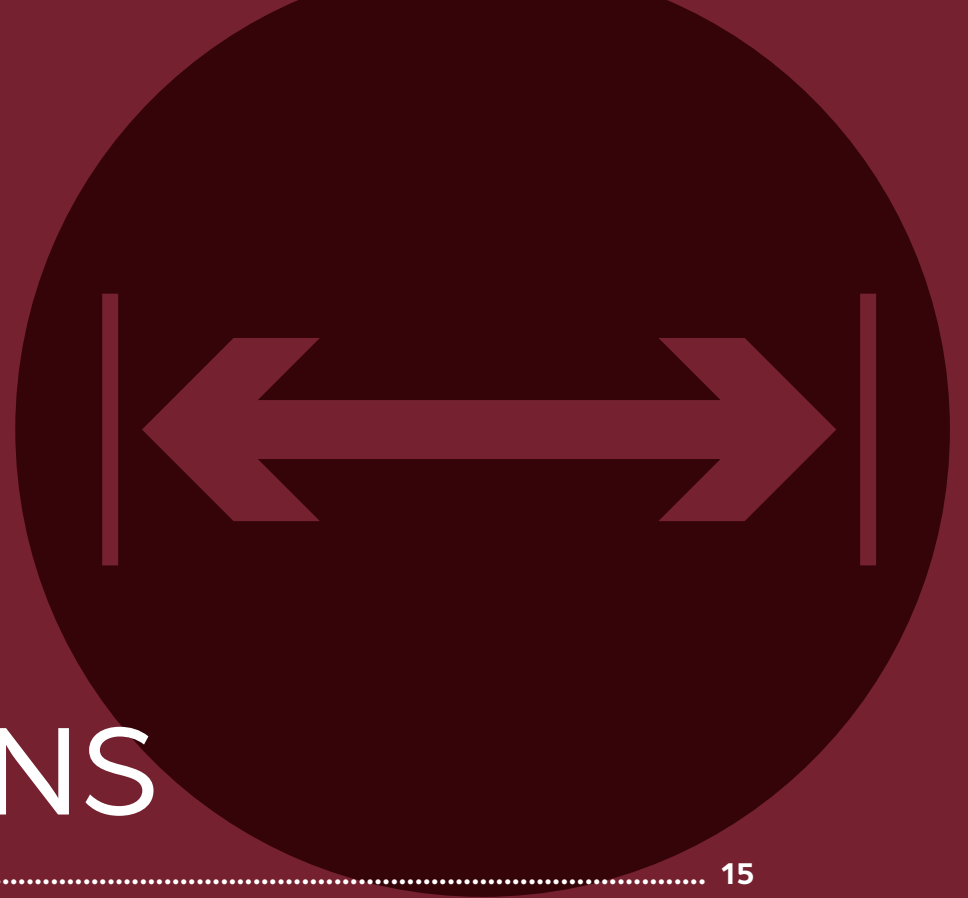


It is recommended for 21-95 DF et 21-125 DF models to use a Ø6" outside air kit (not provided by Stuv America)

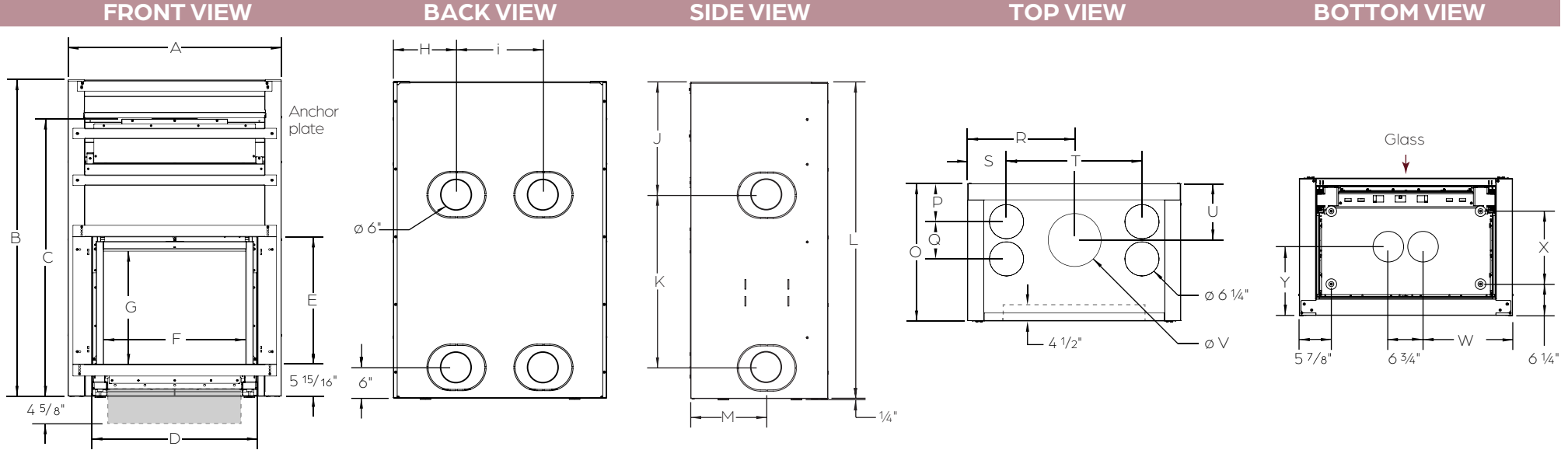
# 3

## DIMENSIONS

3.1	SIMPLE FACE .....	15
3.2	DOUBLE FACE .....	16
3.3	R VALUE .....	17
3.4	FLOOR PROTECTION .....	17
3.5	FRAMEWORK CHARACTERISTICS .....	18
3.6	NON COMBUSTIBLE MATERIAL .....	18
3.7	AIR SUPPLY .....	19
3.8	FITTED TELEVISION .....	21
3.9	SHELF MADE OF COMBUSTIBLE MATERIAL .....	21
3.10	HEARTH EXTENSION .....	22
3.11	CORNER INSTALLATION .....	22
3.12	RISK AREA .....	23



# 3.1 SIMPLE FACE



FRONT VIEW	A	B	C	D	E	F	G
21-85 <b>SF</b>	40"	62 7/8"	51 3/4"	30 3/4"	23 3/4"	26 1/2"	21 1/16"
21-95 <b>SF</b>	43 7/8"	68 1/4"	56 1/4"	34 7/8"	26 15/16"	30 3/8"	24 1/4"
21-105 <b>SF</b>	47 7/8"	56 1/8"	48 7/8"	38 3/4"	18 1/2"	34 1/4"	15 3/4"
21-125 <b>SF</b>	55 3/4"	62 7/8"	51 7/8"	46 1/2"	23 3/4"	42 1/8"	21 1/16"

TOP VIEW	O	P	Q	R	S	T	U	V
21-85 <b>SF</b>	26 1/2"	7 1/16"	7"	19 7/8"	7 1/4"	25 1/8"	10 1/2"	$\phi 8''$
21-95 <b>SF</b>	28 1/2"	8 1/4"	7"	21 7/8"	7 1/4"	30"	11 3/4"	$\phi 10''$
21-105 <b>SF</b>	25"	6 1/2"	6 3/4"	23 3/4"	8"	31 1/2"	11"	$\phi 8''$
21-125 <b>SF</b>	27 3/4"	7 7/8"	7 7/8"	27 3/4"	8"	39 3/8"	11 3/4"	$\phi 10''$

BACK VIEW	H	I
21-85 <b>SF</b>	11 7/8"	16 1/4"
21-95 <b>SF</b>	12 7/8"	18 1/4"
21-105 <b>SF</b>	13 9/16"	20 1/8"
21-125 <b>SF</b>	15 3/4"	24"

SIDE VIEW	J	K	L	M
21-85 <b>SF</b>	24 3/4"	32 1/8"	62 7/8"	15"
21-95 <b>SF</b>	25 5/8"	36 5/8"	68 1/4"	15 7/8"
21-105 <b>SF</b>	20 7/8"	29 1/4"	56 1/8"	14 3/8"
21-125 <b>SF</b>	24 3/4"	32 3/8"	62 7/8"	15 1/2"

BOTTOM VIEW	W	X	Y
21-85 <b>SF</b>	16 1/2"	13 5/8"	12 7/8"
21-95 <b>SF</b>	15 5/8"	15 5/8"	15 1/2"
21-105 <b>SF</b>	17 5/16"	11 7/8"	8"
21-125 <b>SF</b>	21 1/4"	14 5/8"	11 7/8"

# 3.2 DOUBLE FACE

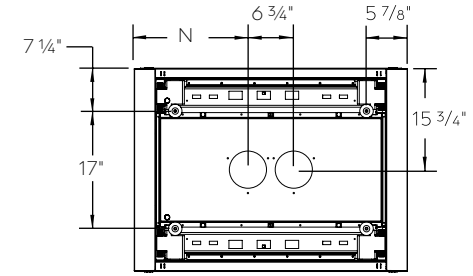
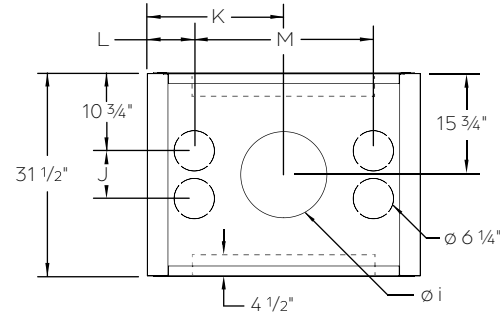
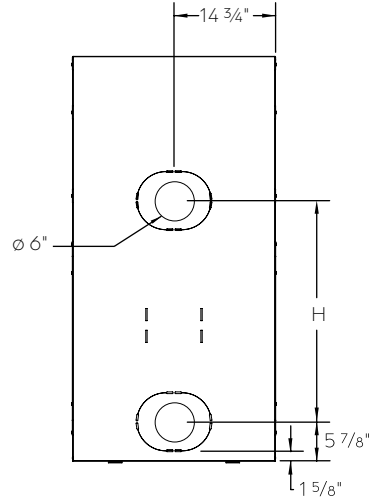
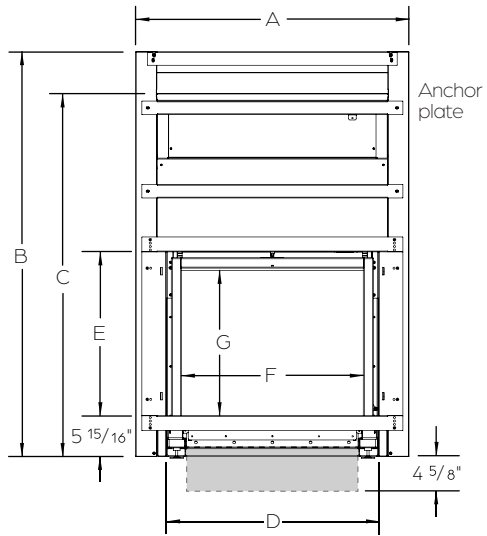


FRONT VIEW

SIDE VIEW

TOP VIEW

BOTTOM VIEW



FRONT VIEW	A	B	C	D	E	F	G	H
21-85 <b>DF</b>	39 3/4"	62 7/8"	51 3/4"	30 3/4"	23 3/4"	26 1/2"	21 1/16"	32 1/8"
21-95 <b>DF</b>	43 5/8"	68 1/4"	56 1/4"	34 7/8"	26 15/16"	30 3/8"	24 1/4"	36 5/8"
21-125 <b>DF</b>	55 1/2"	62 7/8"	51 7/8"	46 1/2"	23 3/4"	42 1/8"	21 1/16"	32 3/8"

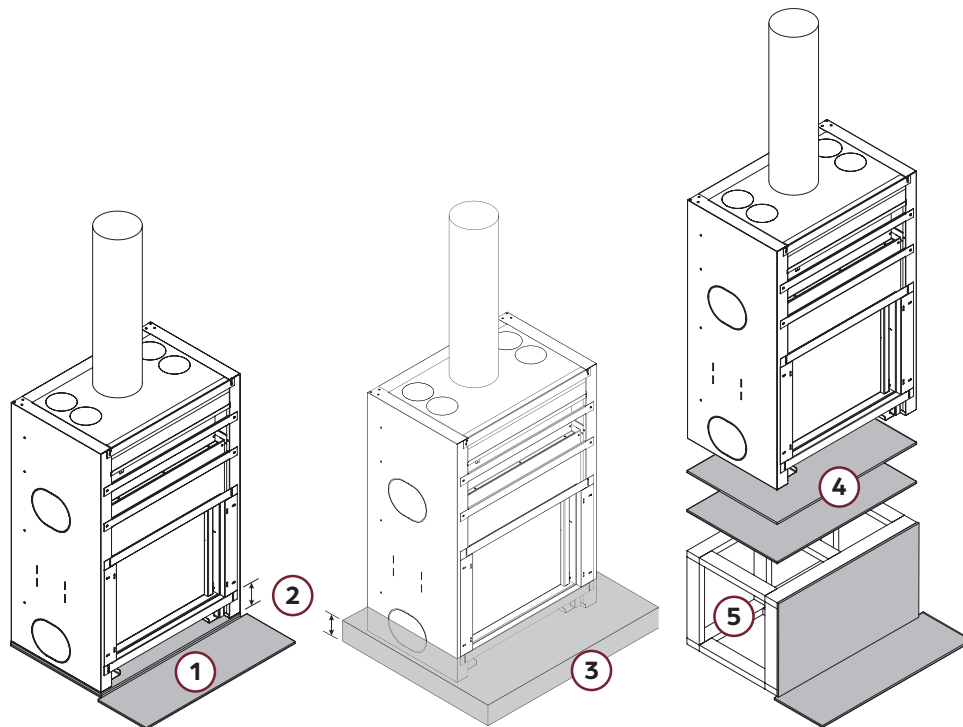
TOP VIEW	i	J	K	L	M	N
21-85 <b>DF</b>	10"	6 7/8"	19 7/8"	7 1/4"	25 1/8"	16 1/2"
21-95 <b>DF</b>	12"	6 7/8"	21 7/8"	7 1/4"	30"	18 1/2"
21-125 <b>DF</b>	12"	7 7/8"	27 3/4"	8"	39 3/8"	24 3/8"



### 3.3 R VALUE

For the Stuv 21, there is no R Value to be considered when installing floor finishing materials. All materials installed under and in front of the fireplace must be non combustible to a height of 6 1/2", see below for additional information.

- 1 Floor protection is **MANDATORY**. See adjoining section.
- 2 All components located in the hearth extension zone, for a height of 6 1/2" from the bottom of the glass must be in **non combustible materials**.
- 3 See section : **3.7 Hearth extension**
- 4 2x 1/2" cement boards are **ALWAYS MANDATORY** under the fireplace.
- 5 If a podium made of combustible materials is installed, it must be protected by 1/2" cement boards on top and in front.



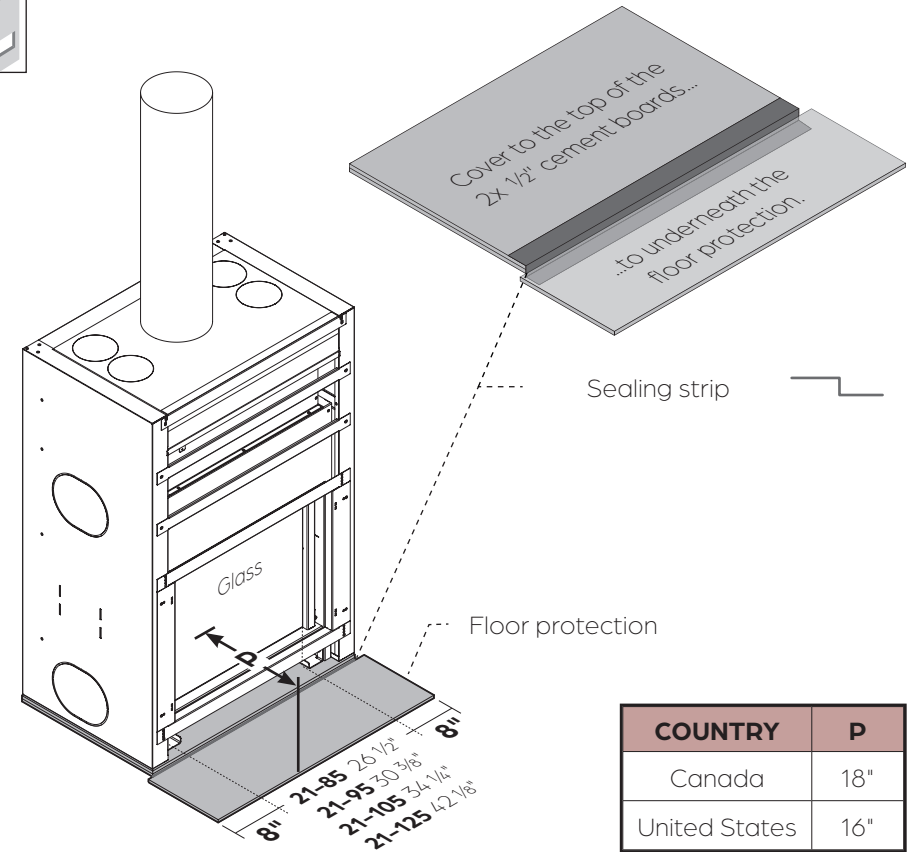
### 3.4 FLOOR PROTECTION



In order to be compliant with building codes floor protection is mandatory. The surface of the floor in front of the unit must be protected by **non combustible floor protection** (tile, plate, slab..).

This protection must cover the width of the glass plus 8" on each side of the glass (see table (P)) according to regulations per Country.

A non combustible sealing strip must be placed through the whole length of the junction between the cement board and the finished floor to avoid ember projections.



COUNTRY	P
Canada	18"
United States	16"

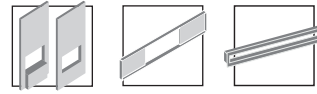
### 3.5 FRAMEWORK CHARACTERISTICS

### 3.6 NON-COMBUSTIBLE MATERIAL



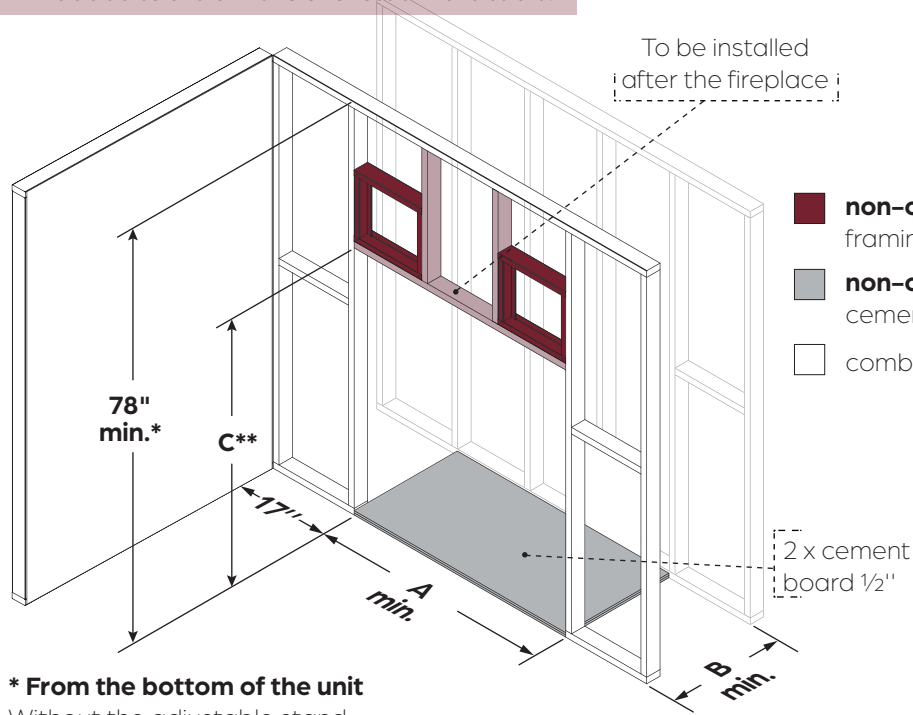
#### NOTE

Framing is not always perfectly level. We suggest that **at least 1/4"** clearance be added to the dimensions listed in the table.



#### IMPORTANT

Use a 1/2" cement board to finish the hearth opening after the fireplace installation. Other **non-combustible materials** may be used. The framing and the wall finishing around the hot air grille boxes are required to be in non-combustible materials. It is mandatory to affix 4" of cement board around the hot air grille.



\* From the bottom of the unit  
Without the adjustable stand

MODEL	A	B	C**
21-85 SF	40"	26 1/2"	62 7/8"
21-95 SF	43 7/8"	28 1/2"	68 1/4"
21-105 SF	47 7/8"	25"	56 1/8"
21-125 SF	55 3/4"	27 3/4"	62 7/8"
21-85 DF	40"	31 1/2"	62 7/8"
21-95 DF	43 7/8"	31 1/2"	68 1/4"
21-125 DF	55 3/4"	31 1/2"	62 7/8"

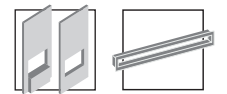
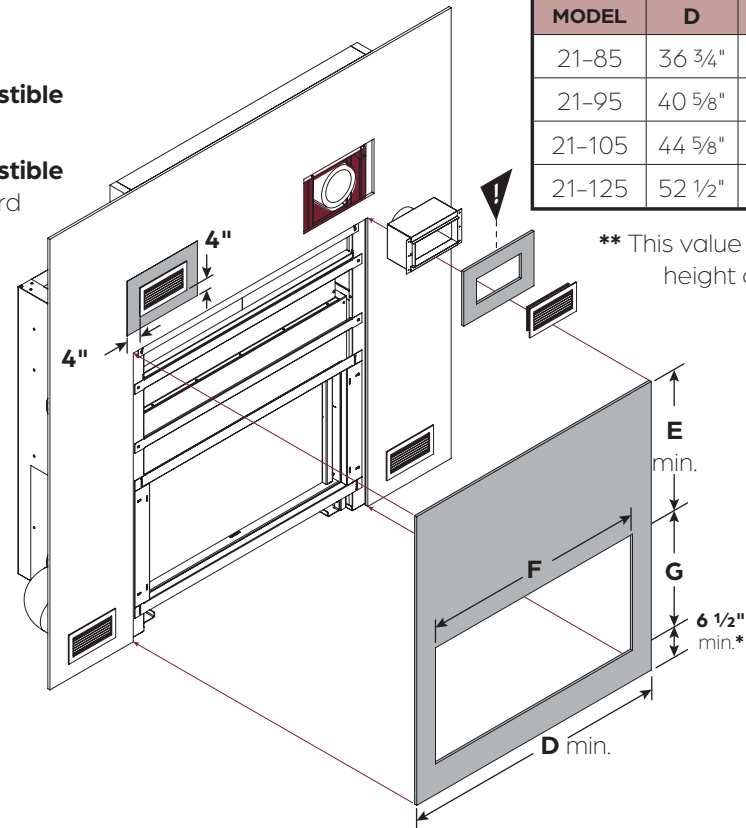


#### NOTE

Installing two 1/2" cement board under the unit **is mandatory**. If a combustible framing is built, it must be strong enough to support the weight of the fireplace and cement board must be installed over it.

MODEL	D	E	F	G
21-85	36 3/4"	32 5/8"	31"	23 3/4"
21-95	40 5/8"	34 3/4"	34 7/8"	27"
21-105	44 5/8"	31 1/8"	38 3/4"	18 1/2"
21-125	52 1/2"	32 5/8"	46 1/2"	23 3/4"

\*\* This value varies according to the height of the adjustable stand.

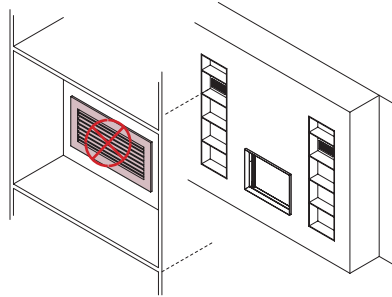


The dimensions given above will vary if a front panel or a Stuv frame is used. **For wall finishing without a front panel see the last page of the INSTALLATION section.** For frames and front panels, refer to the specific appendix or contact customer service for more details.

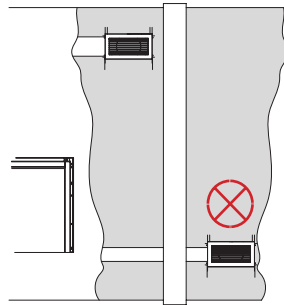
### 3.7 AIR SUPPLY



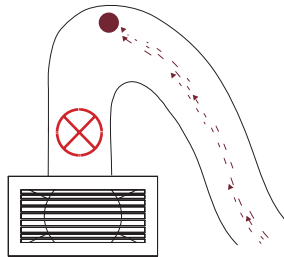
Poor airflow in your convection system should be avoided. Installing the hot air outlet in an enclosed or restricted space, such as a cabinet box or shelf, is prohibited.



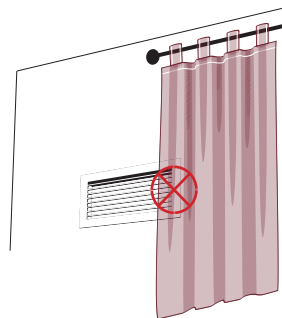
It is important that the airflow be continuous. It is forbidden to take fresh air from a closed room and to discharge the same airflow into another closed room.



The hot air duct must always be installed horizontally or ascending as hot air naturally goes up, never down.



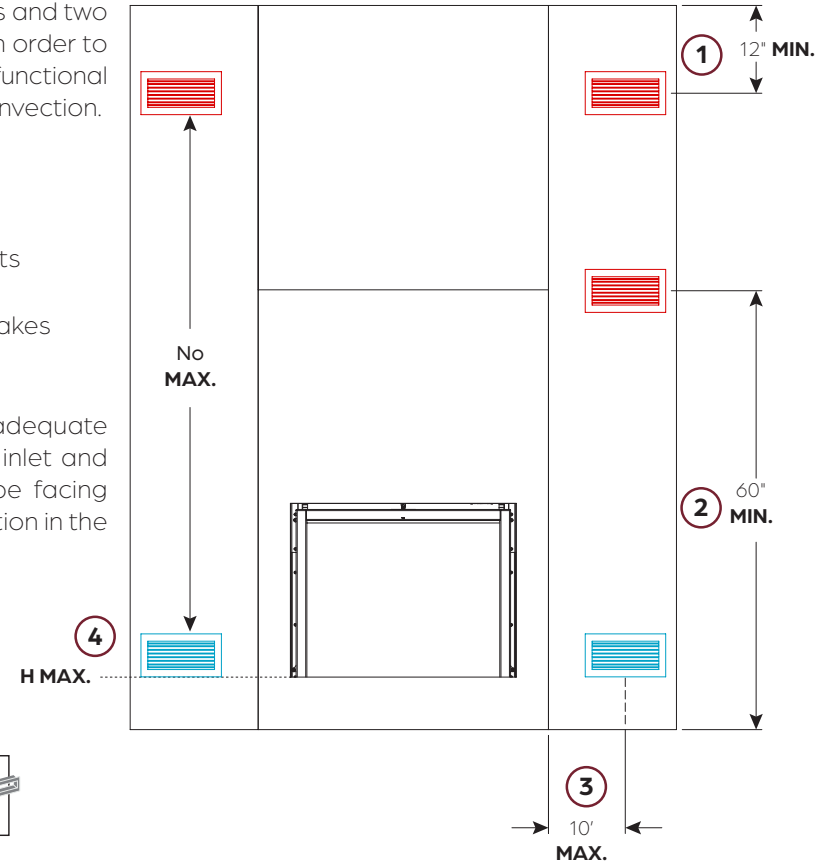
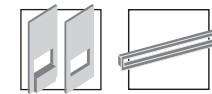
It is forbidden to have a curtain or any other object that can block the airflow located less than 24" in front of the hot air outlet, as air could get trapped behind it creating a heat trap.



It is essential to install two room air intakes and two hot air outlets in order to have a natural, functional and efficient convection.

- Hot air outlets
- Room air intakes

To ensure adequate convection, air inlet and outlet should be facing the same direction in the same room.

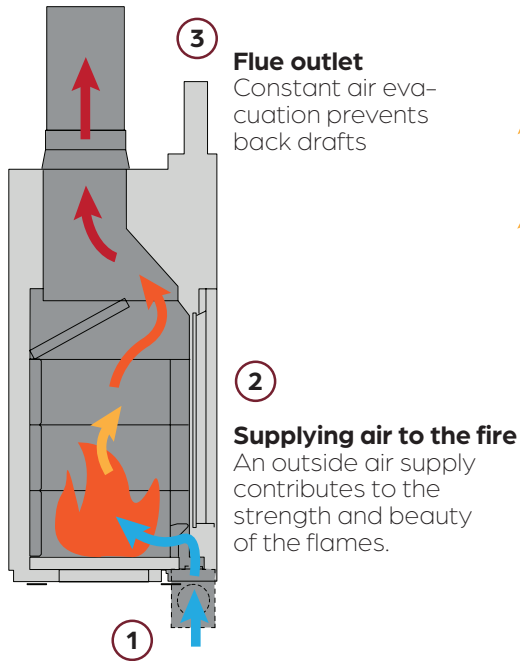


- ① 12" Minimum distance from the ceiling to the centre of the hot air outlet.
- ② 60" Minimum distance from the floor to the centre of the hot air outlet.
- ③ 10' Maximum horizontal distance from the side of the fireplace in the centre of the air grilles.
- ④ The room air inlet for convection **cannot be higher than the bottom of the glass.**

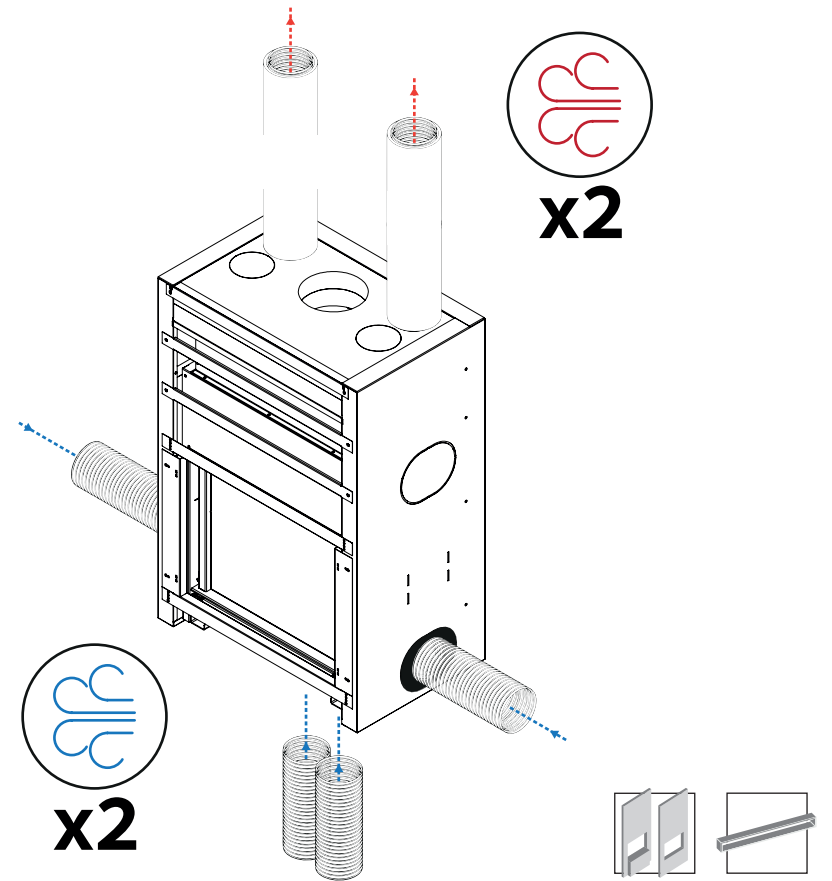
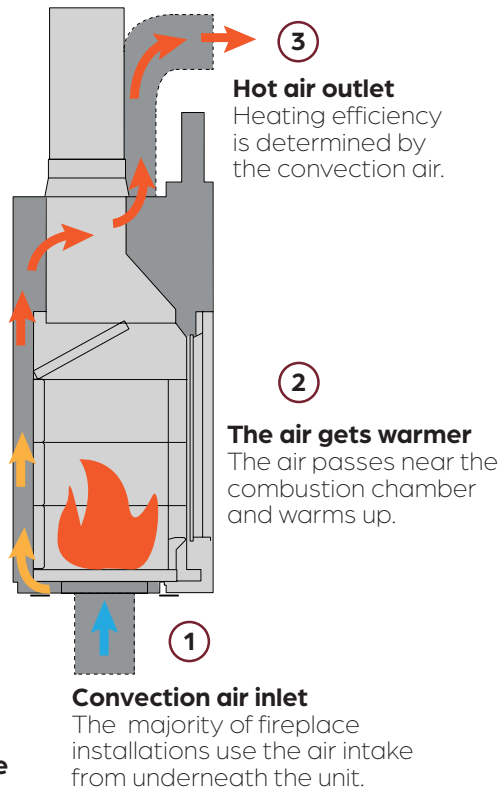


The fireplace is supplied with two types of air: convection air and combustion air.

## COMBUSTION AIR



## CONVECTION AIR



Before starting the installation, it is important to choose the air inlets and outlets that will be used for the convection system.

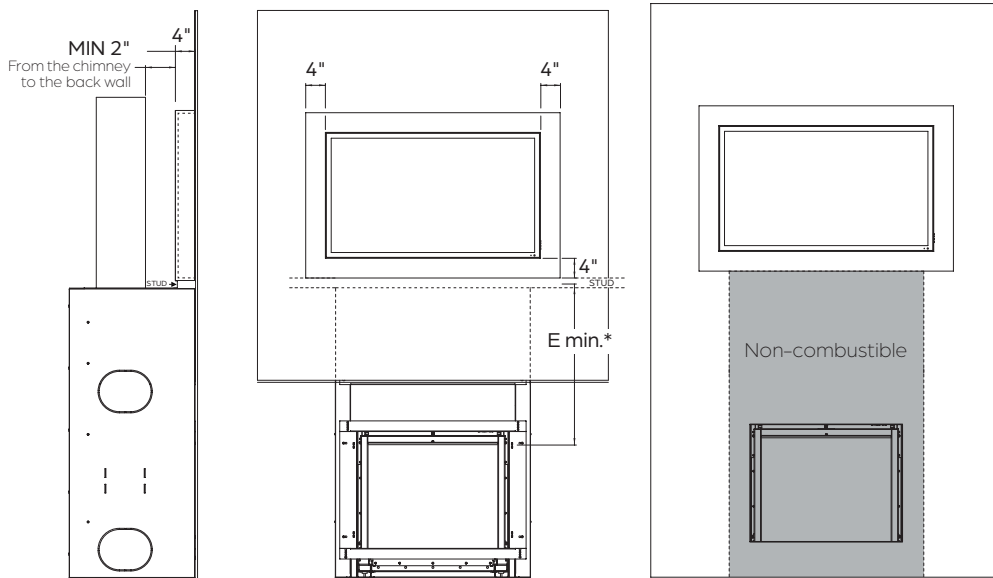
A minimum of two intakes and outlets must be connected. Air inlets are located in the lower part of the fireplace. Favor the connection under the fireplace. In the case of a low installation, the bottom pre-cuttings on the sides can be used. For the hot air output we recommend using the top back outlets.

**For all questions concerning a non-standard installation,** contact Stûv America customer service.

### 3.8 FITTED TELEVISION

It is possible to install/fit a TV above the unit. That said, to ensure adequate ventilation, it is important that the recess created for this purpose has a **maximum depth of 4" and a minimum of 4" between the television and other objects** (walls, frames, etc.). Failure to do so may cause the internal temperature of the product to rise and may result in fire and/or damage to the product.

A minimum distance of 2" between the back wall and the chimney of the appliance must be respected at all times.



\* See page 17, section: 3.4 Hearth opening



#### WARNING

Refer to the installation/operating manual of your TV and follow the instructions. For more information about installation above a fireplace, contact the television manufacturer.



**This configuration is at the user's discretion. Stûv America does not recommend this installation and disclaims all responsibility.**

### 3.9 SHELF MADE OF COMBUSTIBLE MATERIAL



It is possible to install a shelf or decorative object made of combustible material from 12 1/8" of the top of the unit's opening.

In the case of a shelf made of combustible material, it is important to consider the depth of the shelf as this can greatly influence its positioning in relation to the top of the fireplace opening (glass frame).

Use one of the formulas below according to the most important known measurement for a desired installation.

**H =** Height under the shelf from the top of the unit's glass door

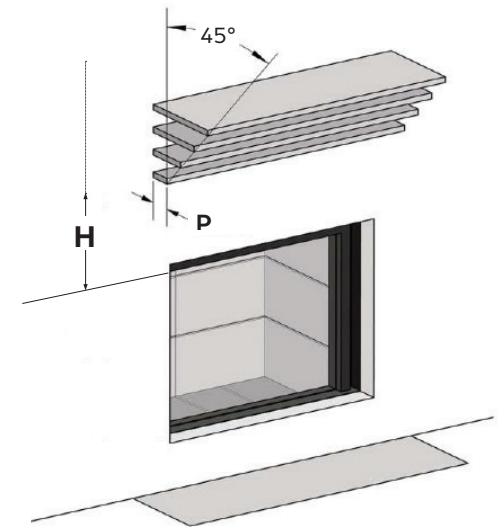
**P =** Maximum depth of shelf from finished wall

**For a specific depth:**

$$H = \boxed{P - 3} + 12 \frac{1}{8}''$$

**For a specific height:**

$$P = \boxed{H - 12 \frac{1}{8}''} + 3$$



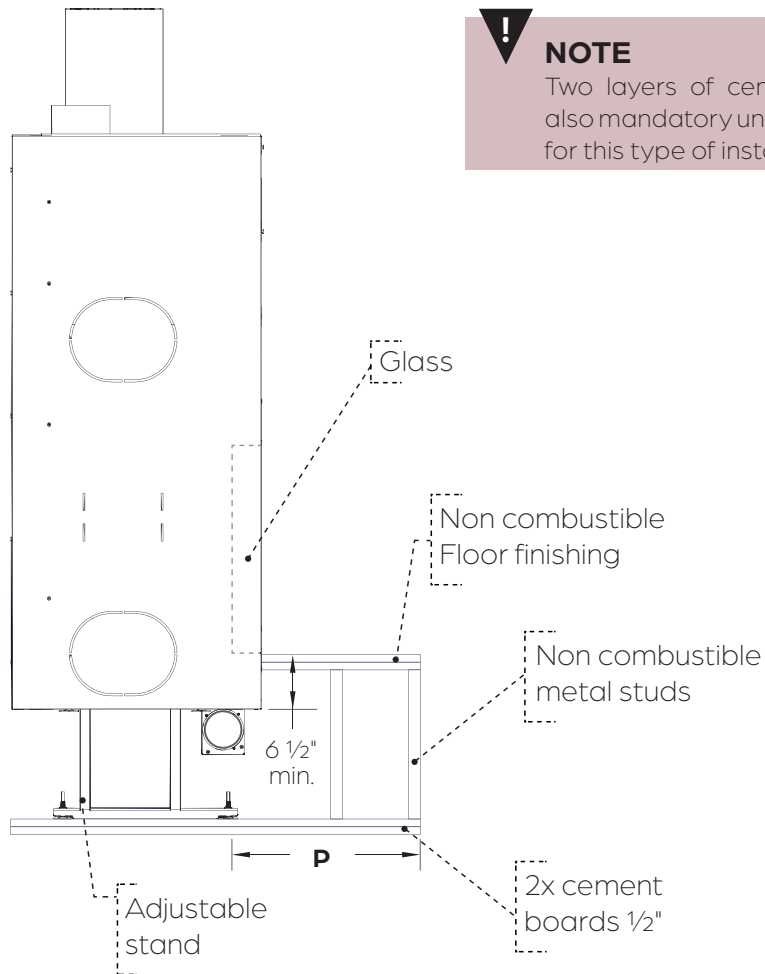
#### NOTE

However, we recommend avoiding placing combustible material that extends over too large an area (e.g. a frame/poster) on the wall above the fireplace. This can trap heat radiation and may lead to a major fire event.

### 3.10 HEARTH EXTENSION

For an installation aligning the bottom of the glass and the floor, all components must be made of non-combustible material up to a height of 6 1/2" (until below the unit). The thickness of all floor components must be known to ensure perfect alignment of the floor and glass.

The adjustable stand and the two layers of cement board panel under the fireplace are mandatory for this type of installation.



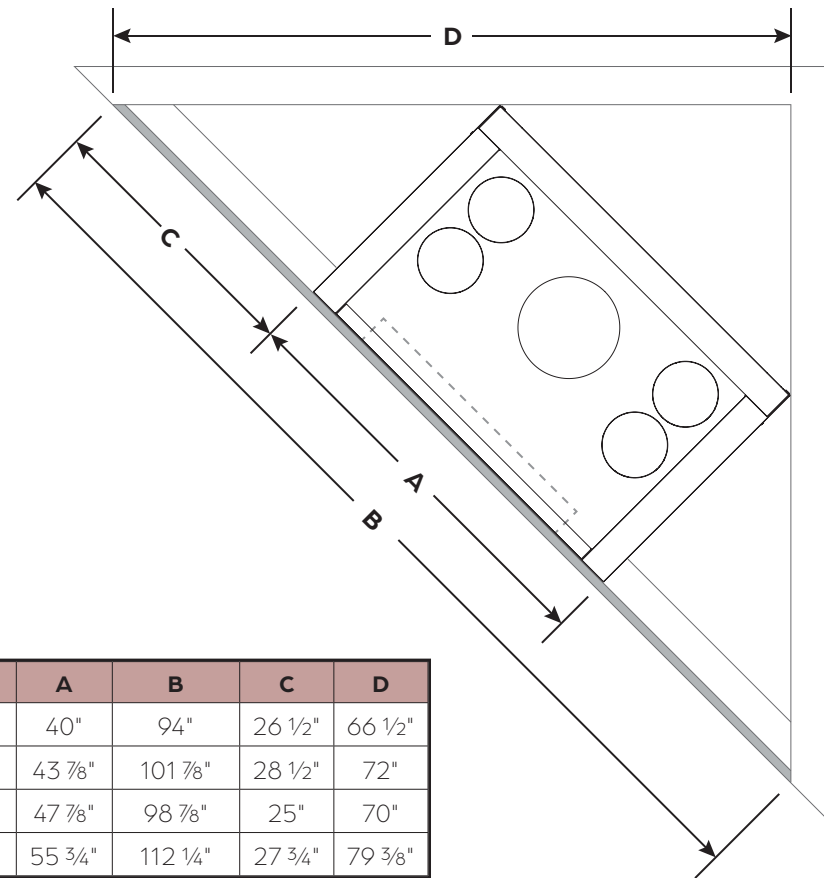
**NOTE**  
Two layers of cement board are also mandatory under the fireplace for this type of installation.

### 3.11 CORNER INSTALLATION



**NOTE**  
Framing is not always perfectly level. We suggest that **at least 1/4"** clearance be added to the dimensions listed in the table.

It is possible to install the Stûv 21 in a corner. The dimensions listed below must be followed to build the framing. All previous specifications are also required for this type of installation.

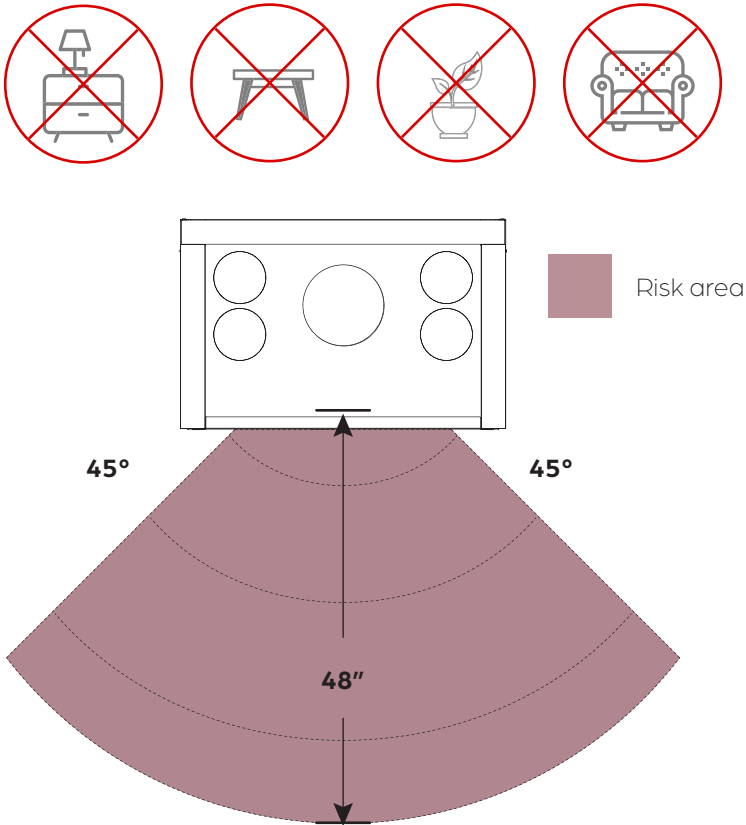


MODEL	A	B	C	D
21-85 SF	40"	94"	26 1/2"	66 1/2"
21-95 SF	43 7/8"	101 7/8"	28 1/2"	72"
21-105 SF	47 7/8"	98 7/8"	25"	70"
21-125 SF	55 3/4"	112 1/4"	27 3/4"	79 3/8"

## 3.12 RISK AREA



The radiation from the glass is significant. Any combustible object must be placed at a minimum distance of 48" by 90° from the face of the glass to avoid any fire risk.



### CAUTION - FIRE HAZARD

To avoid major damage, no combustible material should be placed in front of a hot air outlet. In addition, blocking it may cause the unit to overheat and, in some cases, lead to a fire.

Be sure to follow the above recommendations to **avoid heat traps** or other major damage risks.

# 4

## INSTALLATION



4.1	UNPACKING .....	25
4.2	OPTION: ADJUSTABLE STANDS .....	28
4.3	OPTION: AIRTIGHT BOX.....	30
4.4	DOOR AND PULLEYS .....	32
4.5	PREPARING FOR CONVECTION .....	34
4.6	MOUNTING THE INSULATED SHELL .....	37
4.7	LEVELING THE UNIT .....	39
4.8	INTERIOR OF COMBUSTION CHAMBER .....	40
4.9	CONVECTION INSTALLATION .....	44
4.10	FINISHING WITHOUT A FRONT PANEL .....	46
4.11	RECAP .....	47





## IMPORTANT

The paint is not cured. It is therefore fairly **fragile**, but it will harden after being heated several times. Handle the unit with care.

**Step 1** Check that all ordered components have been received. Check codes on boxes for the convection air kit, accessories, etc.

**Step 2** Using a crowbar, remove the top of the transport pallet

**Step 3** Then remove each side so that only the base is left.

**Step 4** Put accessory boxes in a safe place to ensure they are not damaged. Do not unbox until required.

**Step 5** Using a cutter, carefully cut the protective plastic at the back of the fireplace to avoid damaging the front.

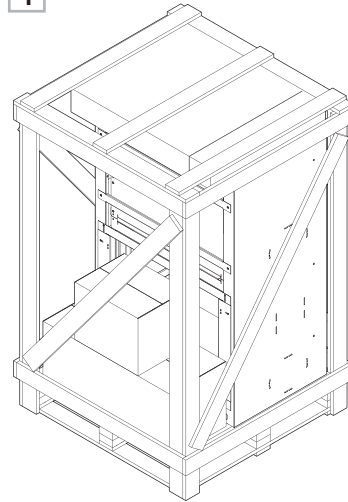
**Step 6** Place the foam glass protector along the bottom of the fireplace opening to protect the bottom trim when removing the content of the combustion chamber.



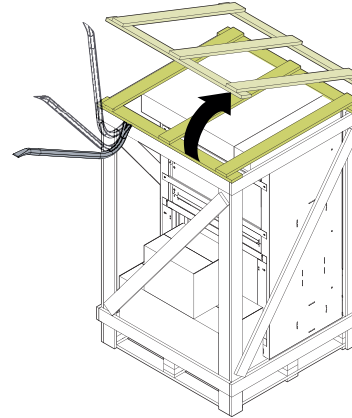
## NOTE

The glass is locked in a central position. Do not unlock the glass at this time to avoid problems later.

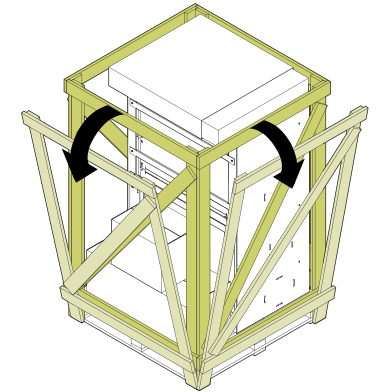
1



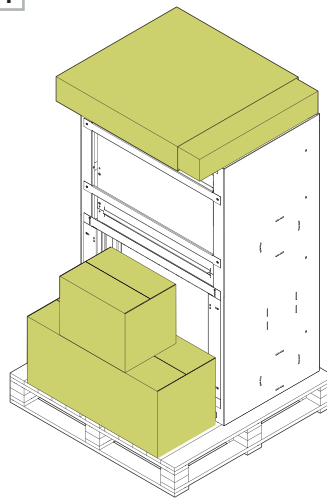
2



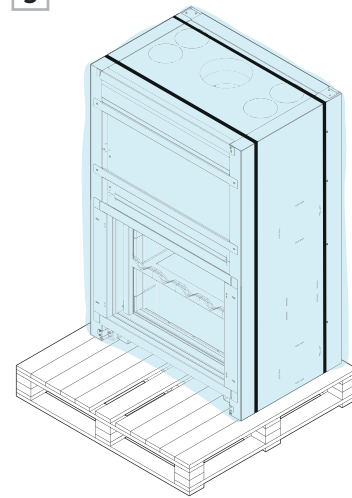
3



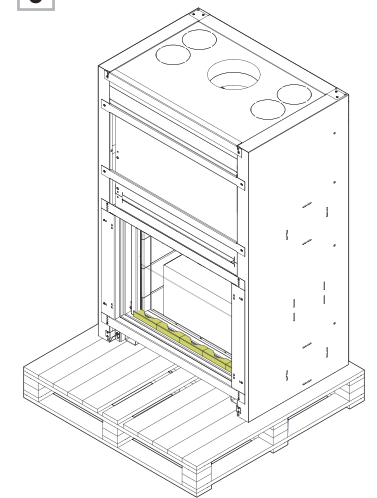
4



5



6





**Step 7** Remove all contents from the combustion chamber **including the refractory bricks and vermiculite panels**. Check to ensure you have all the required components. Put the foam back on the glass.

### CONTENT

1. Installation manual
2. Spray paint for touch-ups
3. Hardware bag
4. Fireplace handle
5. Stûv glove
6. **4x** Refractory tightening clip\*
7. **2x** Corner refractory bracket\*
8. Refractory bricks
9. **2x** Baffle supports
10. Vermiculites
11. Baffle crosspiece (**2x for DF models**)

### NOTE

Never **lift** the fireplace **AND** the insulated shell at the same time with or without the Stûv handles.

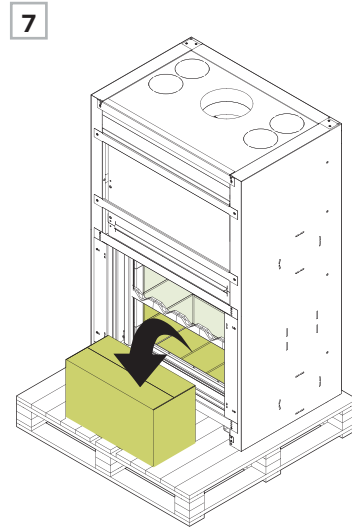
**Step 8** Unscrew the M5 screws from the fixing and finishing crossbars using a Torx 25 bit. Set aside the fixing and finishing crossbars.

### NOTE

We suggest not removing the side crossbars for the DF models, this helps maintain the rigidity of the casing when it is removed.

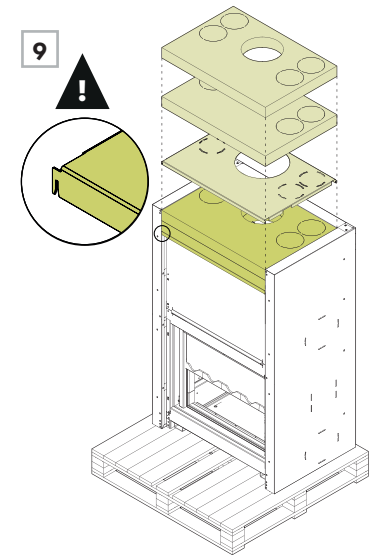
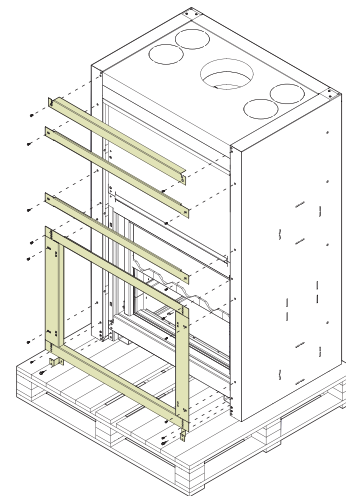
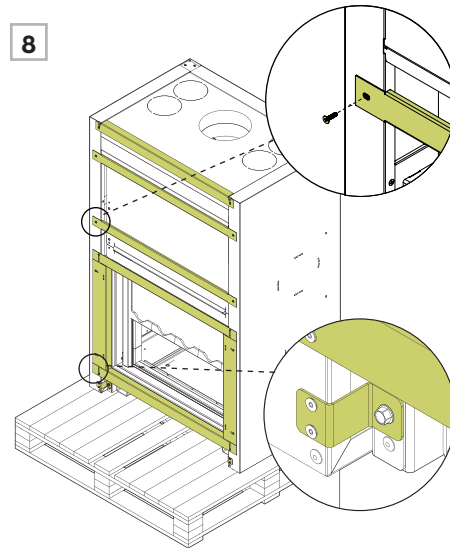
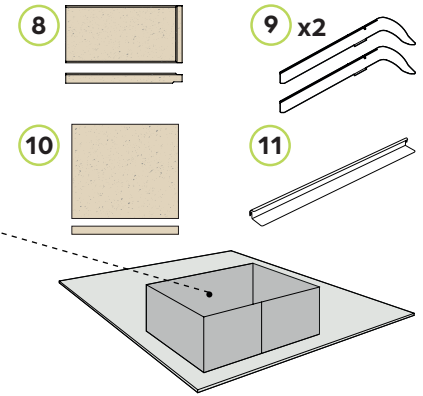
**Step 9** Carefully remove the pieces of insulation wool off the top of the fireplace. Then remove the wool support plate.

**Watch out for the assembly hooks.**



\*Pour 105 et 125 seulement

**! CHECK LIST**  
Is the equipment complete and in good condition?



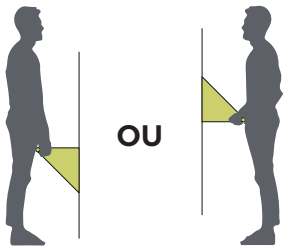
## 4.1 UNPACKING



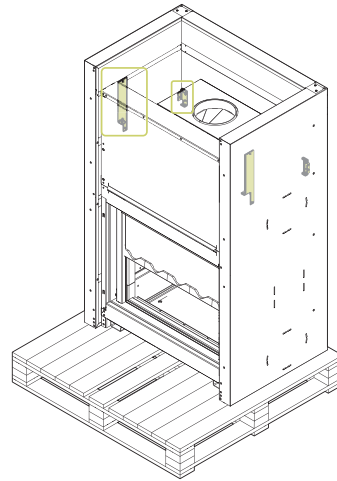
**Step 10** Remove the 4 self-tapping screws on the top of the unit.

**Step 11** Insert the Stûv handles on the sides of the insulated shell to manipulate the insulated shell.

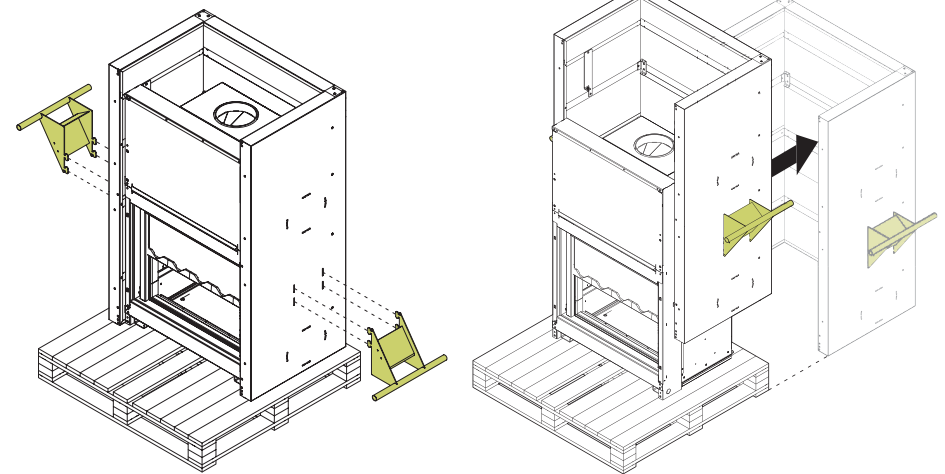
Once the handles are in place, remove the insulated shell backwards by lifting it up slightly.



10



11

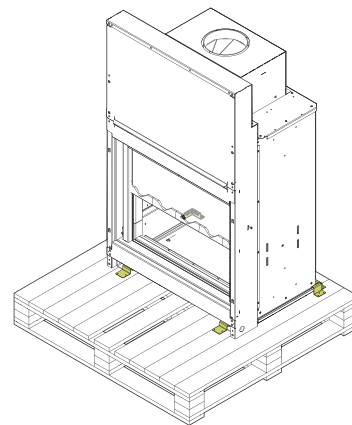


**Step 12** Locate and remove the 4 support brackets that hold the unit to the pallet.

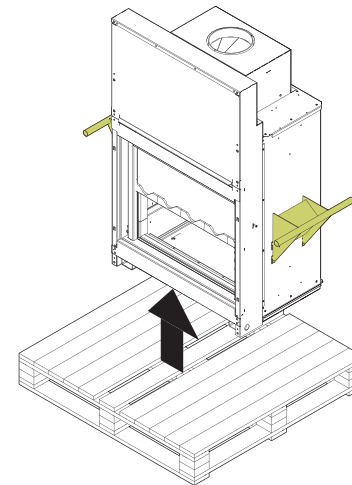
**Step 13** Insert the Stûv handles into the holes provided for this purpose and remove the pallet from under the fireplace.

**Step 14** Protect the floor with a transport blanket or cardboard and two planks of wood.

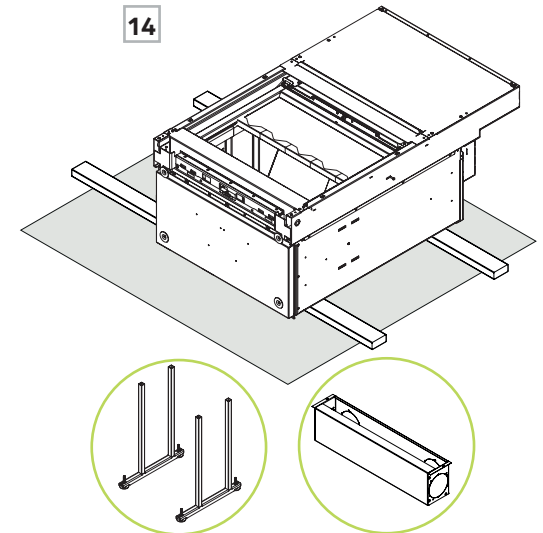
12



13



14



## 4.2 OPTION: ADJUSTABLE STANDS



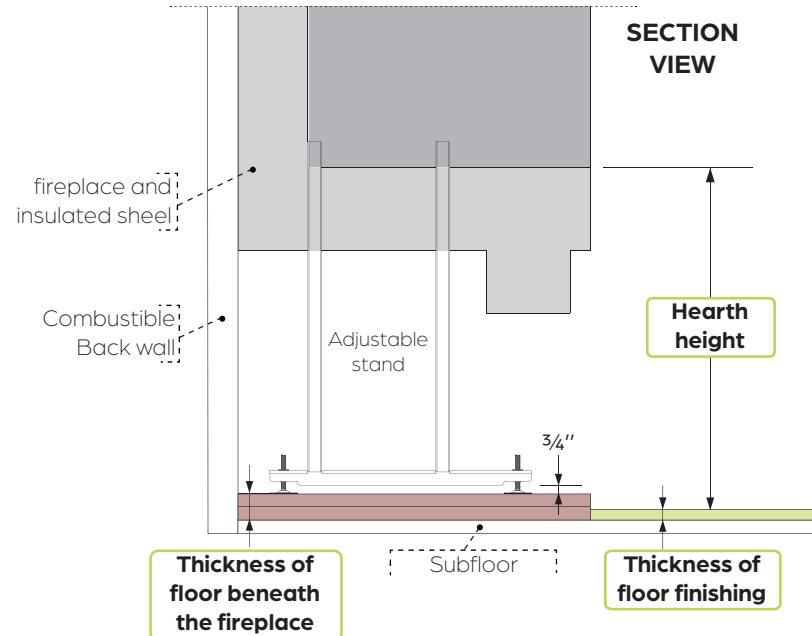
### NOTE

Follow these instructions for the installation of the **adjustable stands**. Adjustable stands are highly recommended when installing outside air or simply to raise the unit.

To calculate the height of the adjustable stands, you will need to know the thickness of all floor components in front and under the fireplace. Use the formula below and the illustration to determine the **cut-off** length of the adjustable legs. Check the minimum height between the finished floor and the bottom of the hearth after insertion into the wall.

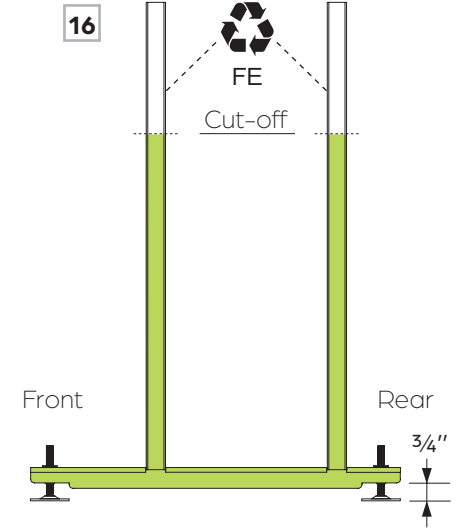
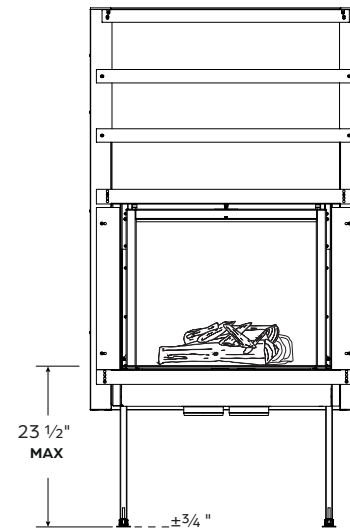
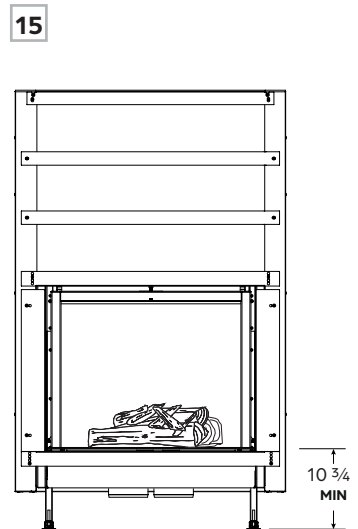
Fill in the formula below to calculate the cut-off of the adjustable legs.

$$\begin{array}{ccccccc}
 \boxed{24 \frac{1}{4}"} & - & \boxed{\text{_____}} & + & \boxed{\text{_____}} & - & \boxed{\text{_____}} & = & \boxed{\text{_____}} \\
 \text{Stand height} & & \text{Thickness of floor} & & \text{Thickness} & & \text{Hearth} & & \text{Cut-off} \\
 \text{height} & & \text{beneath the} & & \text{of floor} & & \text{height} & & \\
 & & \text{fireplace} & & \text{finishing} & & & & 
 \end{array}$$



**Step 15** The minimum height requirement when installing an airtight box is 10 3/4" from under the fireplace to floor. If the stands are cut too short the airtight box will touch the floor and will be damaged.

**Step 16** Identify the direction of the stands. Unscrew the feet by 3/4" to level the fireplace in both directions when it is in its final position.



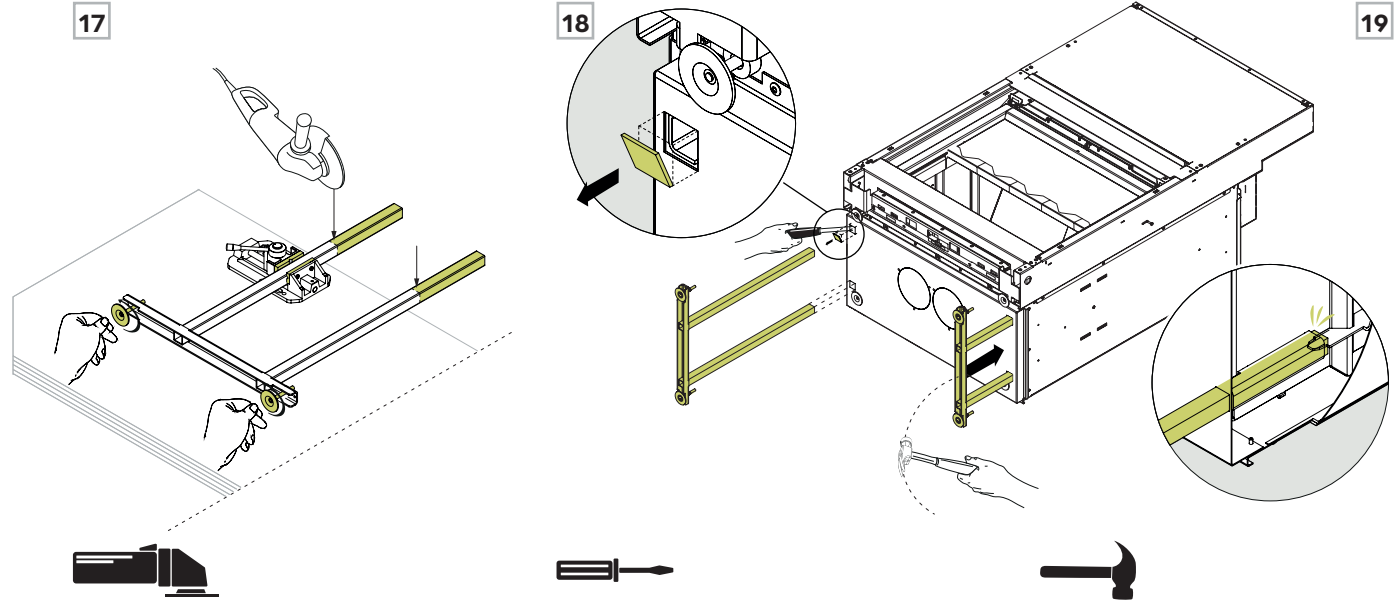


## OPTION : PATTES AJUSTABLES

**Step 17** Cut the adjustable stand with a disc cutter according to the cut-off dimension calculated on the previous page.

**Step 18** Using a flathead screwdriver, remove the four access squares for the adjustable stands.

**Step 19** Using a hammer, insert the adjustable stands into the access squares you just cleared.

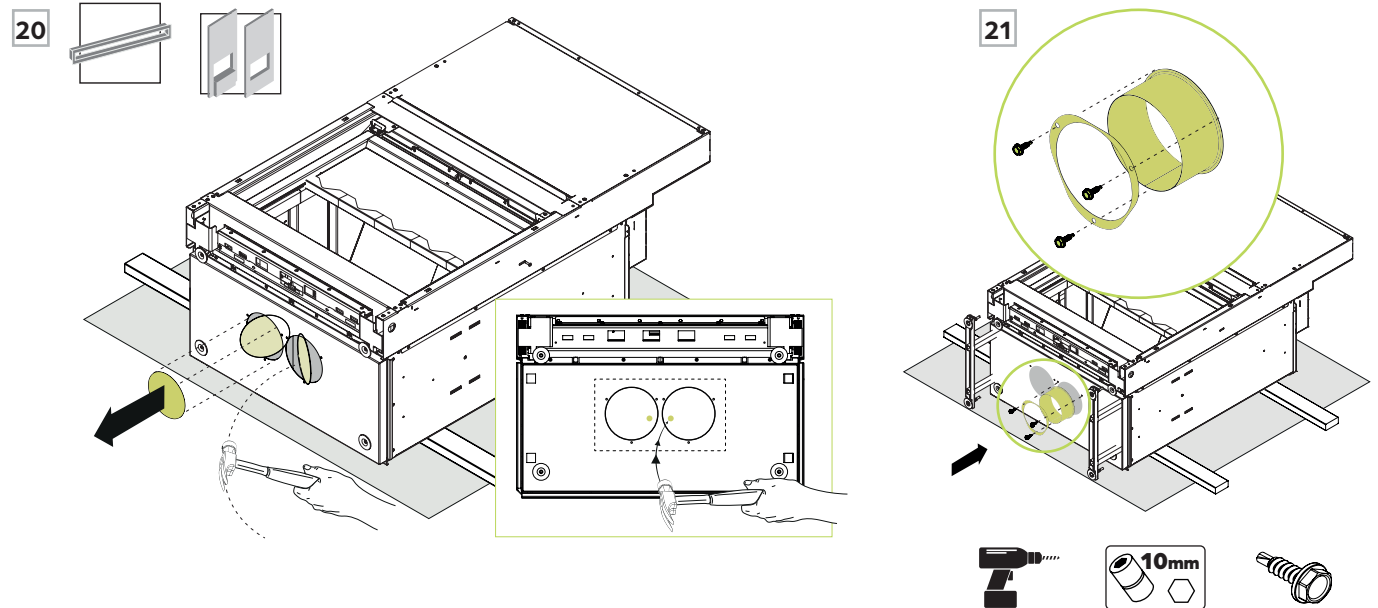


## BOTTOM CONVECTION AIR

If connection under the fireplace is not possible, skip the next two steps. See page 35 for **lateral convection** air instructions.

**Step 20** Use a hammer to remove the pre-cut circles under the fireplace. We recommend that you hit close to the centre for easier removal.

**Step 21** Attach the  $\text{Ø}6'' \times 3''$  short flange using the maxclip and self-drilling hex head screws provided.



## 4.3 OPTION: AIRTIGHT BOX



### COMBUSTION AIR

Linear access to the front of the fireplace feeds the combustion air that will be expelled through the chimney.

**Option 1** Without airtight box

**Option 2** The airtight box with an external air inlet and air damper.



### NOTICE

Refer to the damper manual if this option have been selcted.



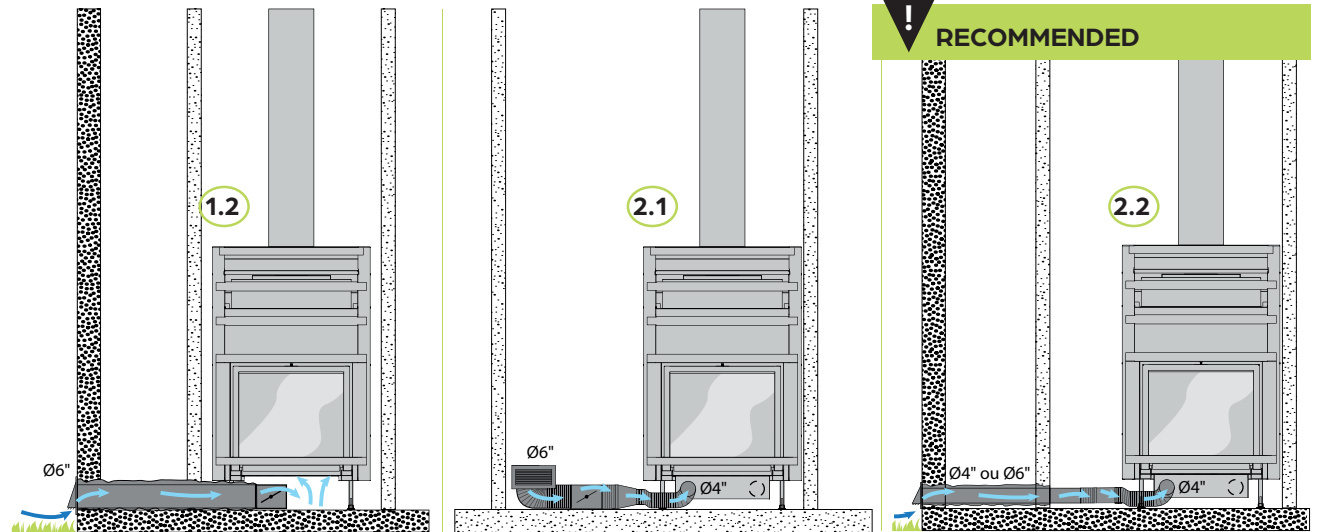
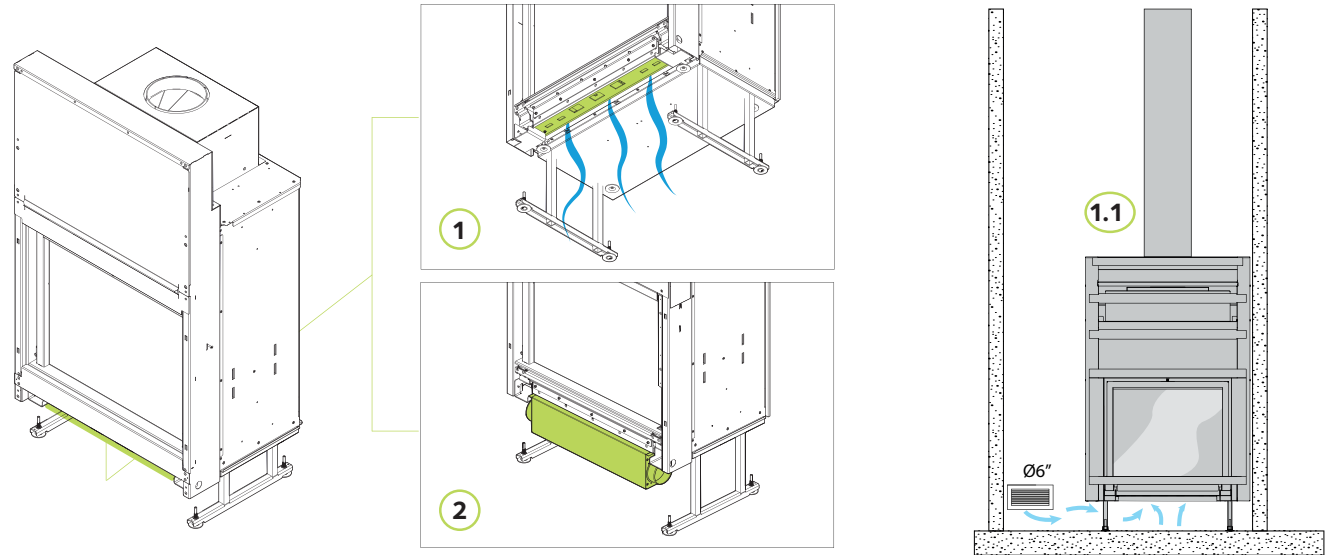
### SUB-OPTIONS

**1.1** A 12 sq. in. opening in the wall near the fireplace. The underside of the fireplace must allow air circulation and the room must not be airtight.

**1.2 (not recommended)** Use the outside air connection kit to supply air under the fireplace. The area under the fireplace needs to be insulated with non-combustible materials to prevent cold air from entering the room.

**2.1** Use the outside air kit to connect the ambient air to the airtight box. Grille not included.

**2.2 (recommended)** Use the outside air connection kit to connect the outside air to the airtight box. It is recommended to make a loop in the wall with the duct to avoid condensation.



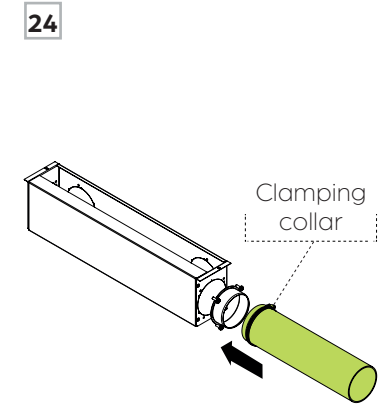
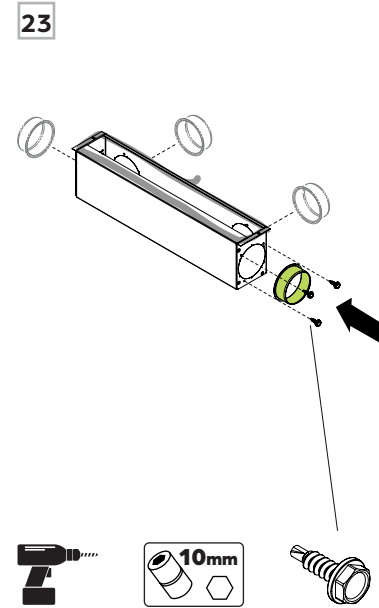
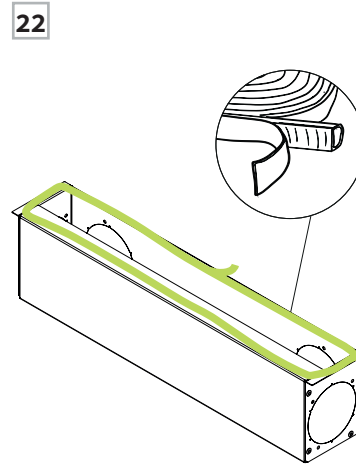
## 4.3 OPTION: AIRTIGHT BOX



**Step 22** Affix the self-adhesive gasket of the airtight box on the upper rim.

**Step 23** Using the 3 self-drilling M6 screws provided, secure the short flange to the chosen side.

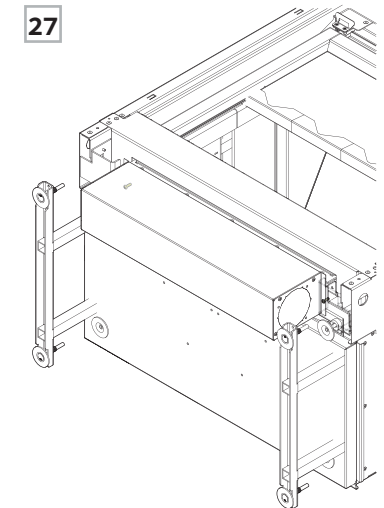
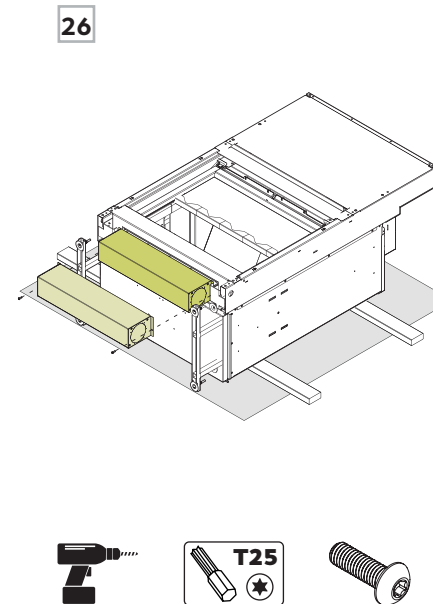
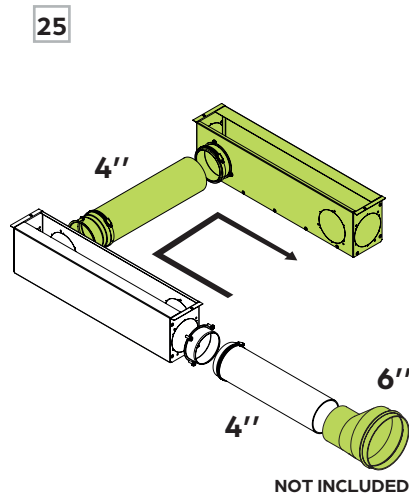
**Step 24** Attach the duct to the short flange using a clamping collar.



**Step 25** For DF model, connect the airtight boxes together at the end that is opposite to the external connection. It is recommended to have a **6" outside air inlet for 21-95 DF and 21-125 DF models**.

**Step 26** Position the airtight box in its correct location under the fireplace.

**Step 27** Attach the airtight box to the fireplace with two screws.





### NOTE

To avoid damage to the airtight box, no pressure should be put on it when the fireplace is raised.

**Step 28** Raise the fireplace to a vertical position on the adjustable stands.

**Step 29 Hold the door.**

Remove the 2 screws holding the glass on each side before opening the door.

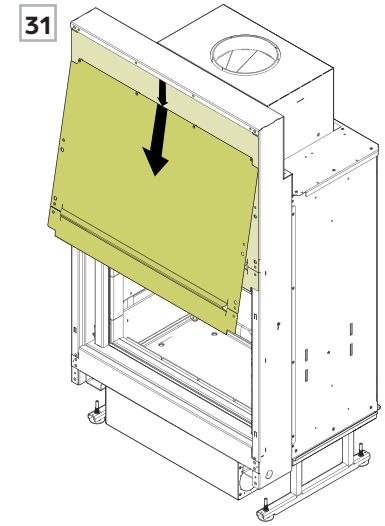
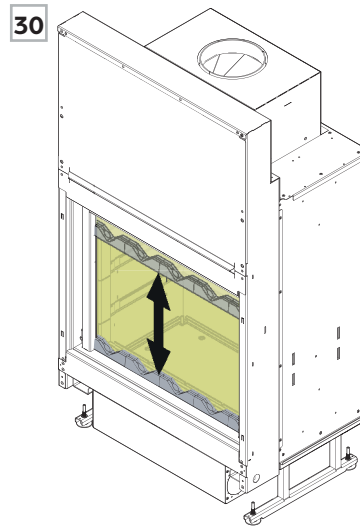
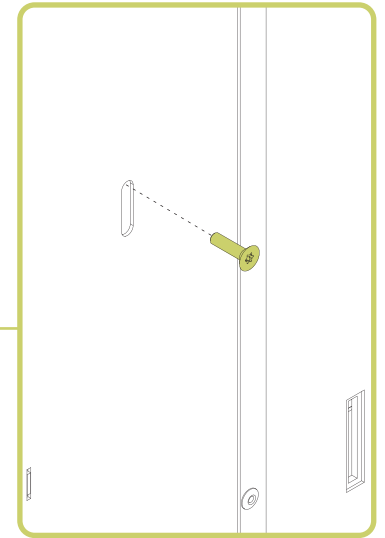
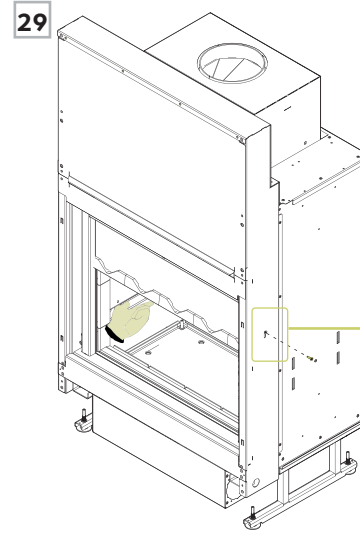
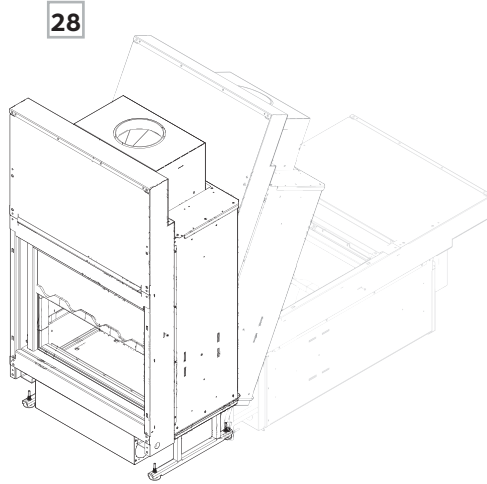


### NOTE

This step will be hard to complete after inserting the fireplace into the wall. Make sure the cable is well placed **now**

**Step 30** Slide the glass up and down to make sure it is working properly. In case of problems, refer to the illustration below to replace the pulley cable back into its place.

**Step 31** Remove the screws that hold the front cover in place and remove the cover by sliding it down and slightly out at the bottom.



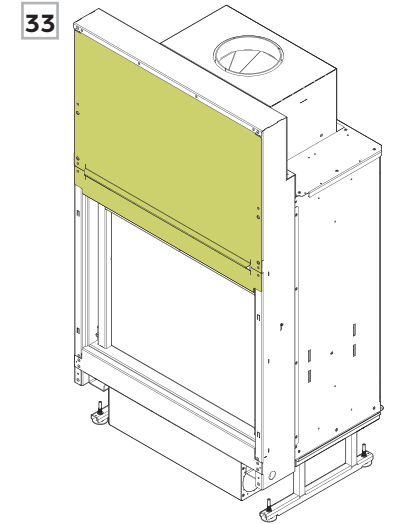
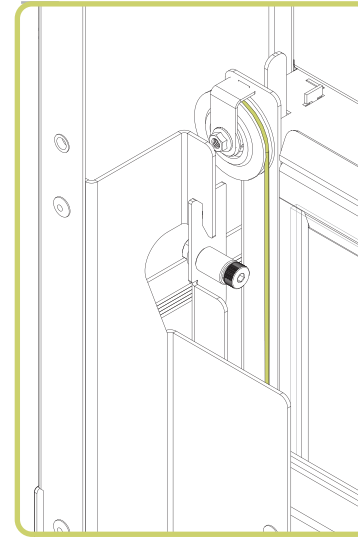
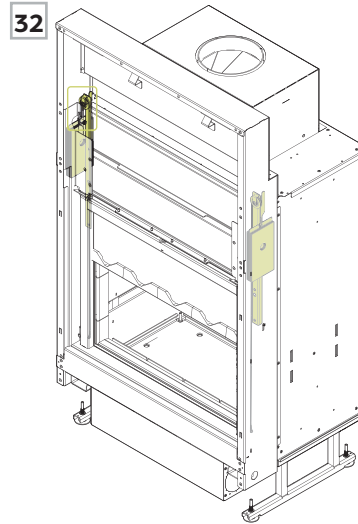




**Step 32** Visually inspect the pulley cable to validate it is resting onto the recess of the pulley on both sides (left/right) of the fireplace. This ensures ease of movement of the glass.

**Step 33** If it is displaced, replace it onto the recess of the pulley.

Replace the front cover once inspection is complete.



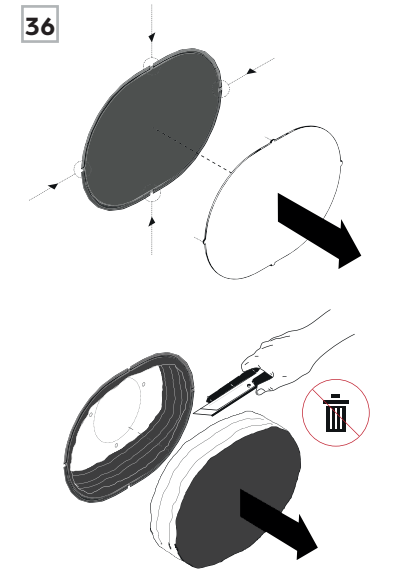
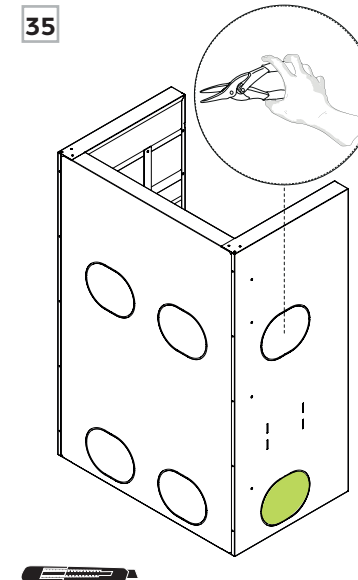
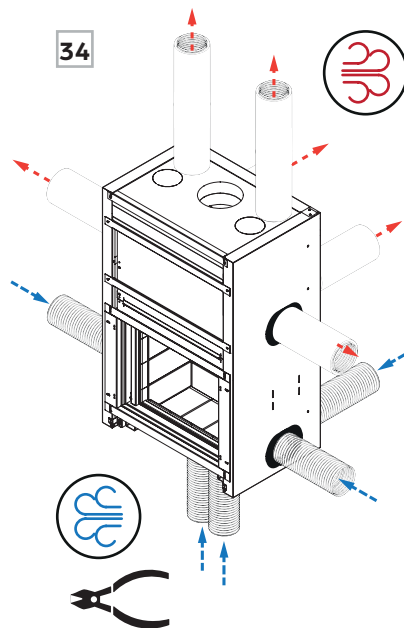
**Step 34** Determine which cold air inlets and hot air outlets will be used.

If the side inlets or outlets will be used, prepare the insulated shell before inserting into wall structure.

## LATERAL CONVECTION AIR

**Step 35** Use pliers to cut out the openings on the shell on both sides.

**Step 36** Cut the wool using a utility knife and save cut-offs for future use.





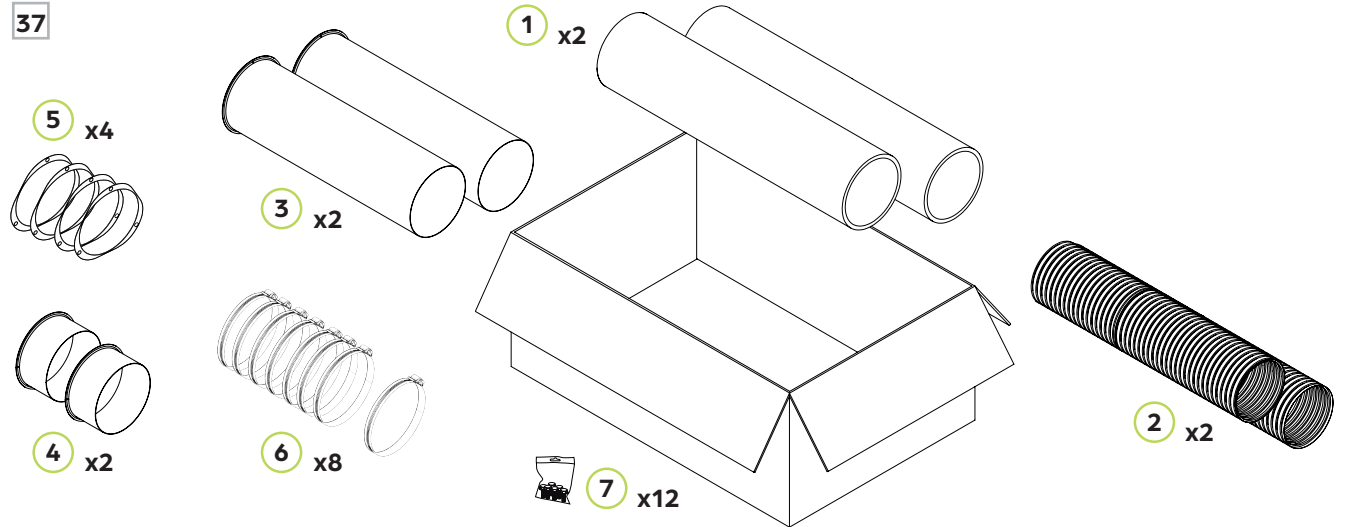
## STANDARD INSTALLATION

**Step 37** Open the box containing the convection kit:

### CONTENT

- 1. **2x** Aluminium insulated duct
- 2. **2x** Aluminium non-insulated duct
- 3. **2x** Flange Ø6" X 24 1/2"
- 4. **2x** Flange Ø6" X 3"
- 5. **4x** Maxclip
- 6. **8x** Gear clamp
- 7. **12x** Self-drilling screw

The installation of the linear grille is explained in the annex.



## SF5 SF6 FRONT PANEL

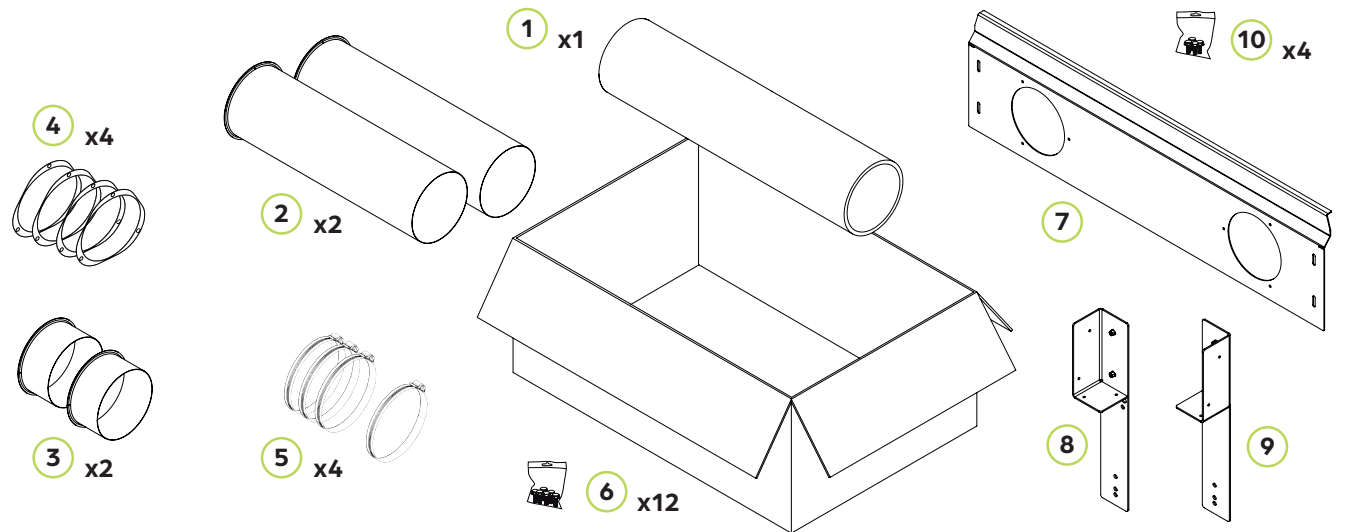


A special kit is provided with a SF5 SF6 front panel which requires different parts.

### CONTENT

- 1. Aluminium insulated duct
- 2. **2x** Flange Ø6" X 24 1/2"
- 3. **2x** Flange Ø6" X 3"
- 4. **4x** Maxclip
- 5. **4x** Gear clamp
- 6. **12x** Self-drilling screw
- 7. Anchor plate
- 8. Right support
- 9. Left support
- 10. **4x** Self-drilling screw

The installation of the SF5 SF6 front panel is explained in the appendix (9310400005).





**Step 38** Install the two cement boards on the floor in the opening where the fireplace will be installed.

**Step 39** Even out the surface in front of the fireplace with cement board cuttings so that the fireplace can be later pushed into the opening.

**Step 40** The wall insertion can be done in two steps by adding wood structures a little bit higher than the bottom of the fireplace.

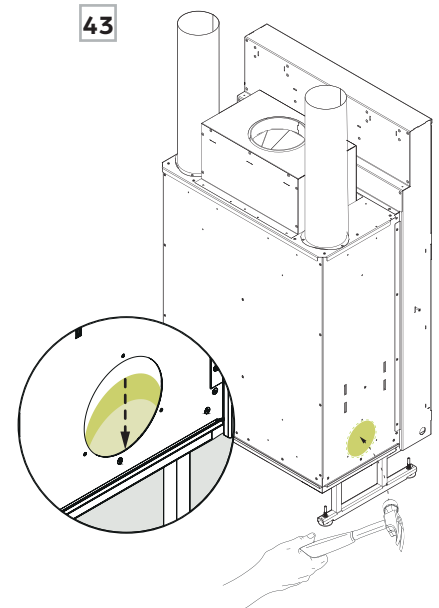
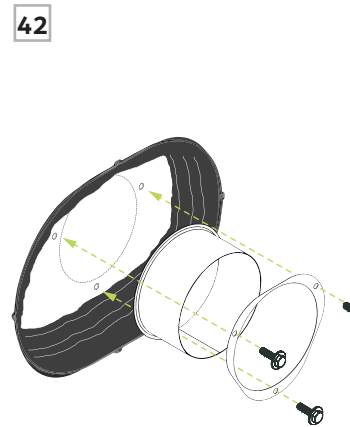
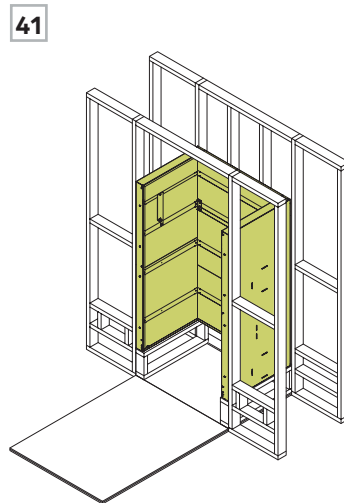
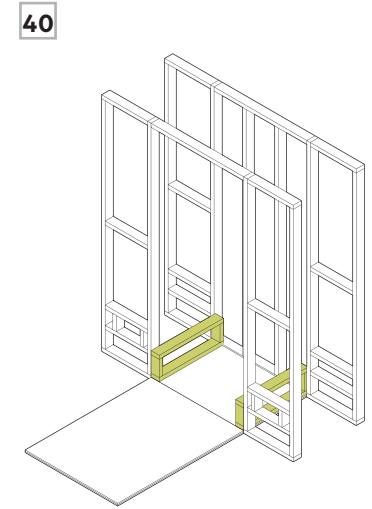
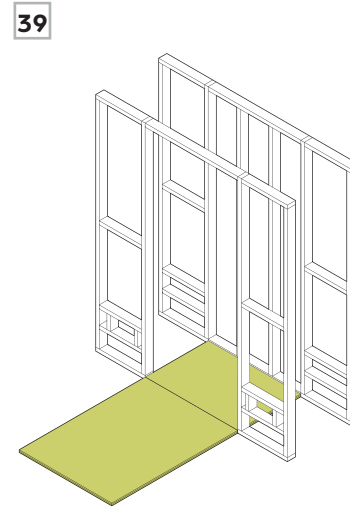
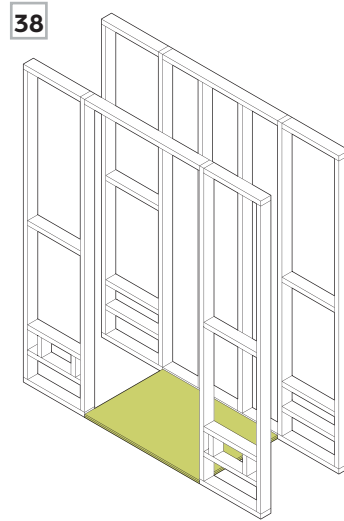
**Step 41** Place the insulated shell in the opening. The connection between the insulated shell and the fireplace will be done after pushing the fireplace to its final position

## LATERAL CONVECTION AIR

**Step 42** When using the side inlets, always connect, connect a  $\text{Ø}6'' \times 3''$  short flange to the opening with the maxclip and the self-drilling hex head screws on both sides.

**Step 43** When using the side inlets, always remove, remove the pre-cut side openings of the fireplace (bottom right and left).

The cutouts will fall into the fireplace, this is normal, it is safe to leave them there.





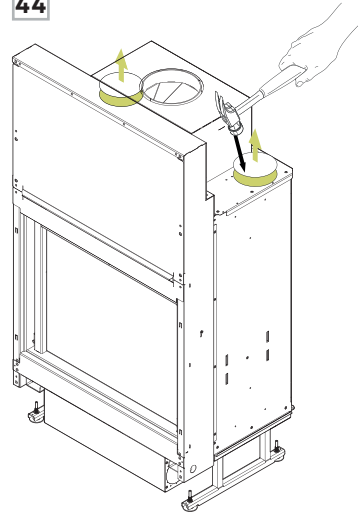
## TOP CONVECTION AIR

**Step 44** Using a hammer, remove the pre-cut pieces of the top rear openings of the fireplace.

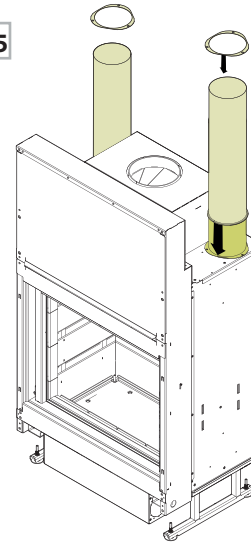
**Step 45** Using a hammer, remove the pre-cut pieces of the top rear openings of the fireplace.

**Step 46** Connect a  $\text{Ø}6'' \times 24 \frac{1}{2}''$  long flange to both **upper rear exit** of the fireplace using the maxclip and self-drilling hex head screws.

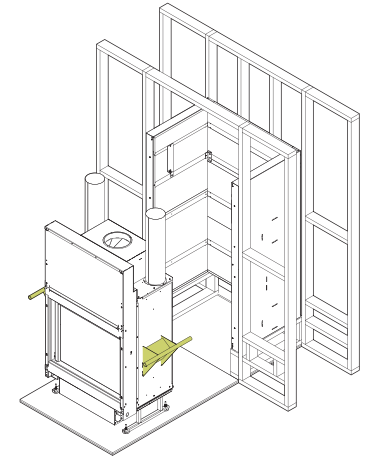
44



45



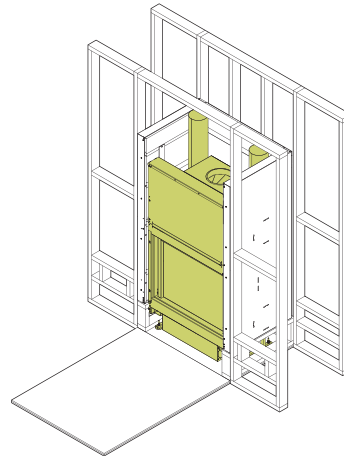
46



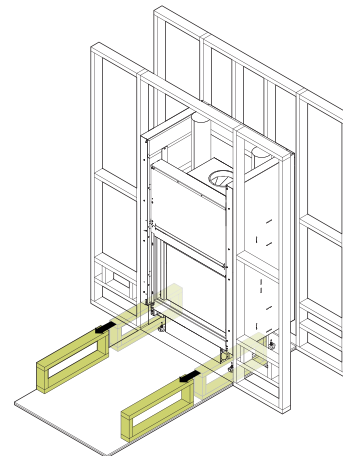
**Step 47** Move the fireplace into its final position inside the insulated shell.

**Step 48** Remove the wood support structures. The insulated shell will now rest on the unit.

47



48



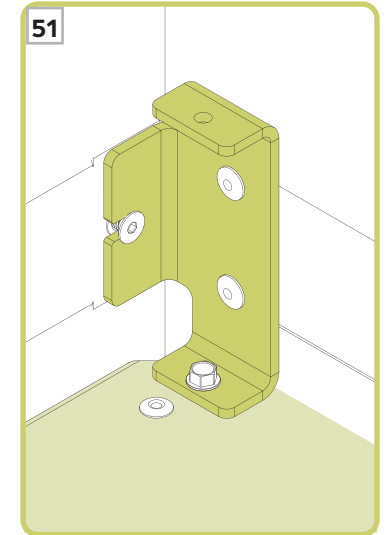
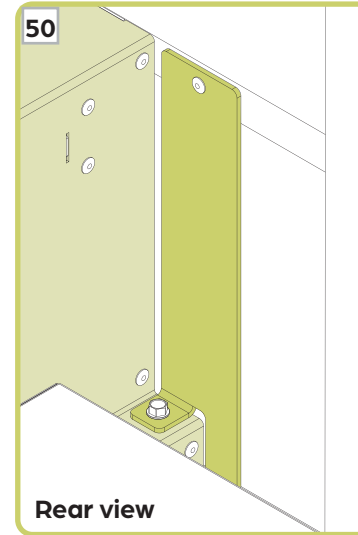
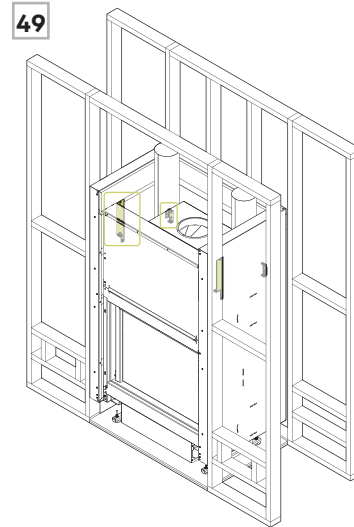
## 4.6 MOUNTING THE INSULATED SHELL



**Step 49** Centre the insulated shell by aligning the support bracket holes in the left, right and back.

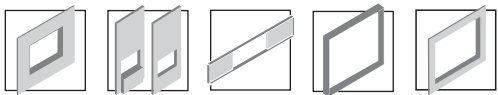
**Step 50** Fasten the left and right brackets first using the supplied self-tapping screws.

**Step 51** Finish by fastening the rear brackets.



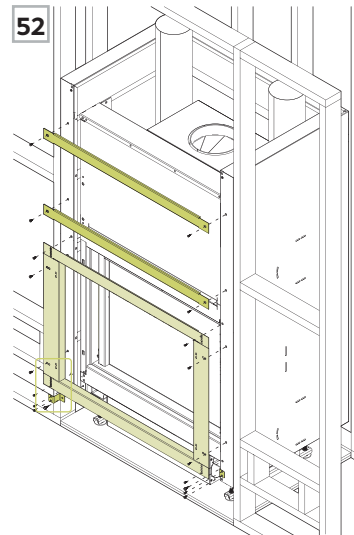
**Step 52** Replace the finishing trims except for the top one.

Check if some should be omitted in the case of frame or front panel installation.



**Step 53** For the front bottom brackets, use the supplied self-tapping screws to fasten the shell to the unit as per steps above.

**Step 54** Attach the anchor plate (not included) and a first chimney section to the top of the chimney insulation box. Use self-drilling screws of your choice (not included).



## 4.6 MOUNTING THE INSULATED SHELL

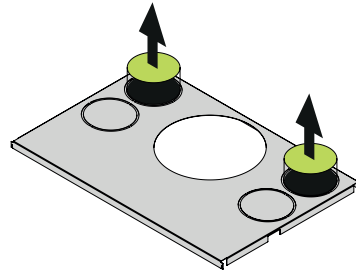
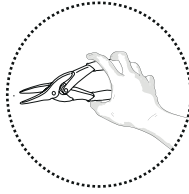


### TOP CONVECTION AIR

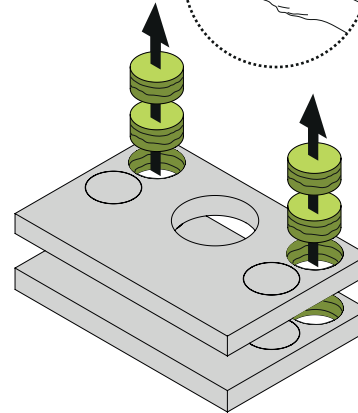
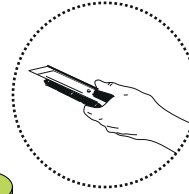
**Step 55** En cas de convection au-dessus de l'appareil, Remove the pre-cut rear openings of the wool support plate and the center one for the chimney.

**Step 56** Cut the two layers of wool as to match the metal plate holes.

55



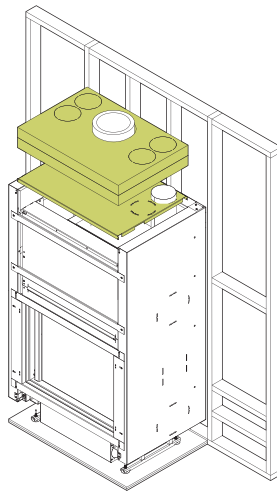
56



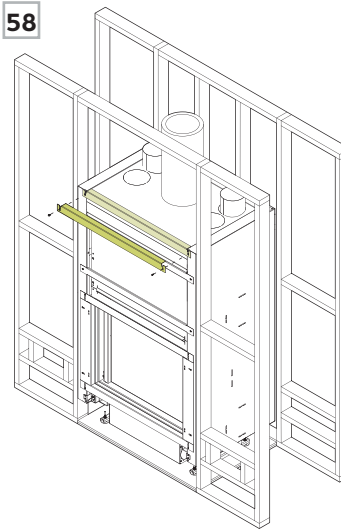
**Step 57** Replace the wool support plate and the two layers of wool around the convection flanges.

**Step 58** Screw back the highest finishing trim over the wool.

57



58

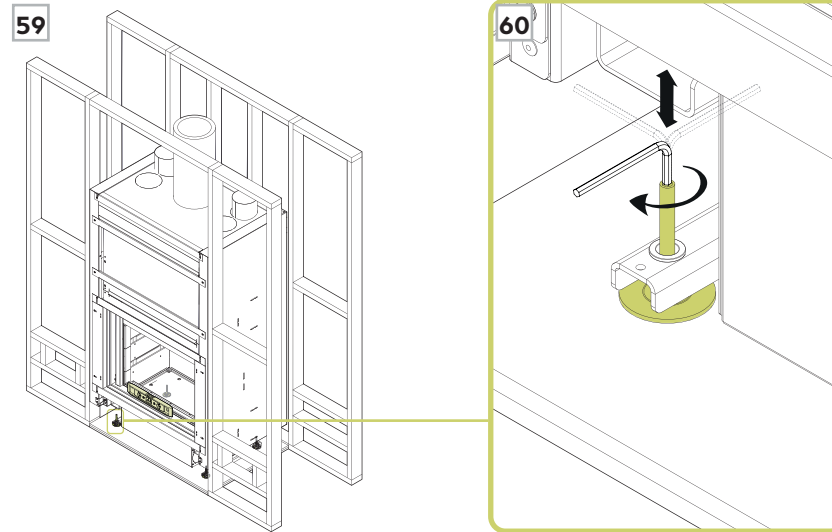


## 4.7 LEVELING THE UNIT



**Step 59** Using a level, make the adjustments as indicated in the following steps.

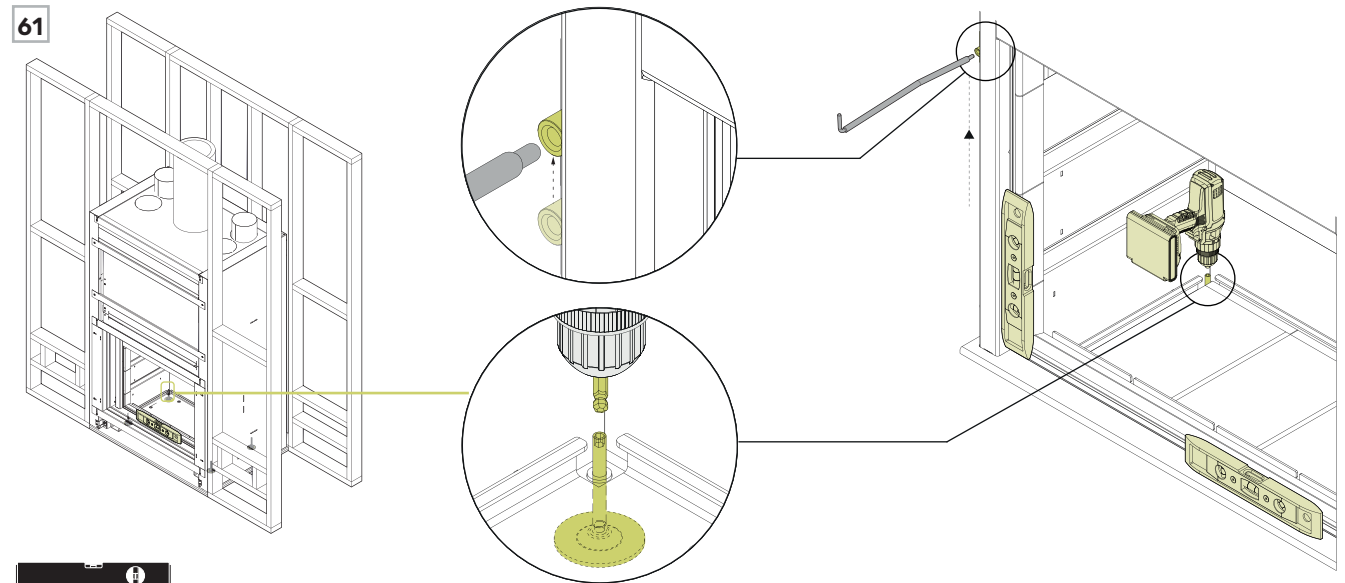
**Step 60** With the adjustable stands, the height adjustment is made with a 5 mm Allen key. Turning clockwise raises the fireplace.

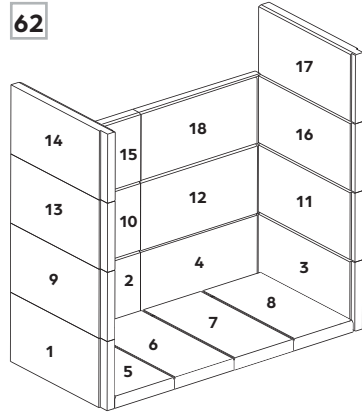


**Step 61** Without the adjustable stands, legs can be adjusted at the four corners inside the combustion chamber.

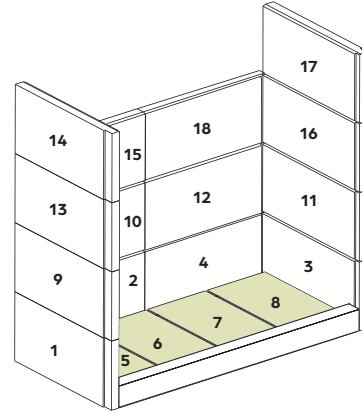
Raise the glass all the way up.

Use a 5 mm Allen wrench or a screwdriver with a 5 mm hex bit to make the adjustment.

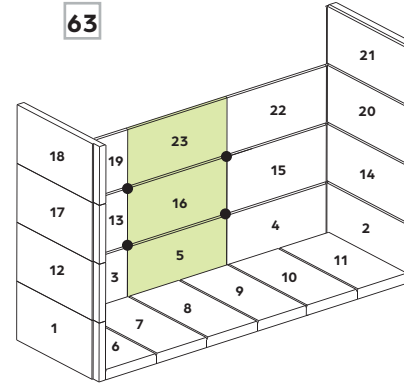




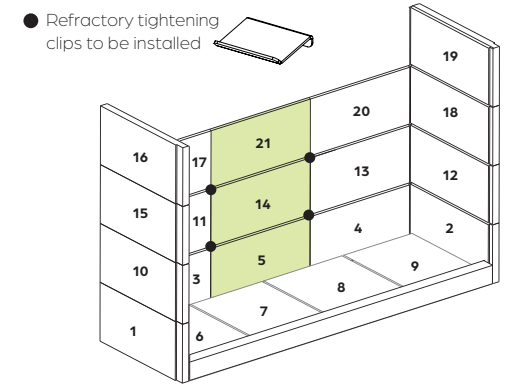
**21-85 SF**  
 □ PW5010101000 **x18**  
 (169 x 344mm)



**21-95 SF**  
 □ PW5010101100 **x14**  
 (194 x 394 mm)  
 ■ PW5010213500 **x4**  
 (190 x 308 mm)



**21-105 SF ▼**  
 □ PW5010100800 **x20**  
 (144 x 294 mm)  
 ■ PW5010100100 **x3**  
 (144 x 304 mm)



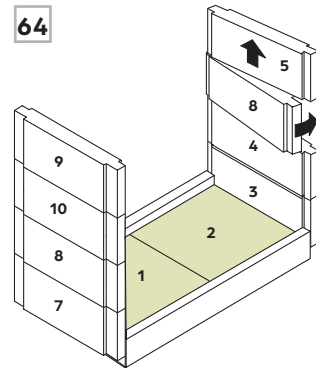
**21-125 SF ▼**  
 □ PW5010100200 (179 x 367 mm) **x14**  
 □ PW5010213600 (283 x 265mm) **x4**  
 ■ PW5010100300 (179 x 354 mm) **x3**

**NOTE**  
 For **21-105 SF** and **21-125 SF** only, if the refractory bricks on the back seem unstable follow the steps on the next page for installation of the tightening refractory brackets.

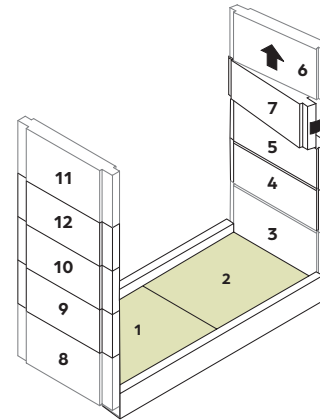
**Step 62** Follow the steps on the **next page** for the order of installation of the refractory stones and vermiculites.

**Step 63** Identify the model to be installed and pay attention if there are different shape stones.

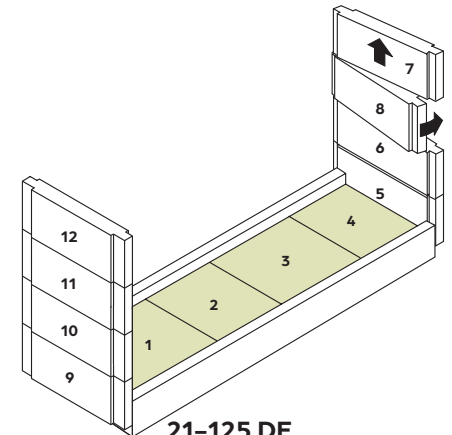
**Step 64** Follow the order indicated by the arrows when installing the top refractory bricks.



**21-85 DF**  
 □ PW5010100900 **x8**  
 (169 x 439 mm)  
 ■ PW5010200005 **x2**  
 (330 x 276 mm)



**21-95 DF**  
 □ PW5010100700 (144 x 439 mm) **x6**  
 □ PW5010100900 (169 x 439mm) **x4**  
 ■ PW5010200006 (384 x 276 mm) **x2**



**21-125 DF**  
 □ PW5010100900 **x8**  
 (169 x 439 mm)  
 ■ PW5010200007 **x4**  
 (267 x 276 mm)





## NOTE

Refractory brackets and tightening clips are only provided for the **21-105 SF and 21-125 SF** models. These should only be installed if the back refractory bricks are not tight enough.

**Step 65** Raise the glass to access the inside of the combustion chamber in order to install refractory bricks 1 and 2.

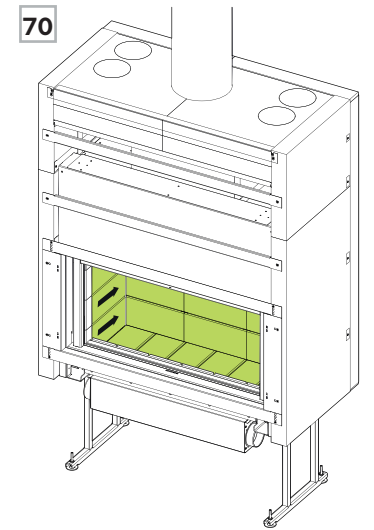
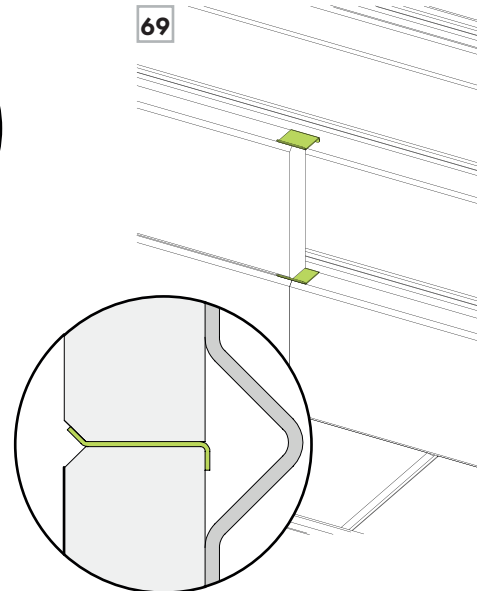
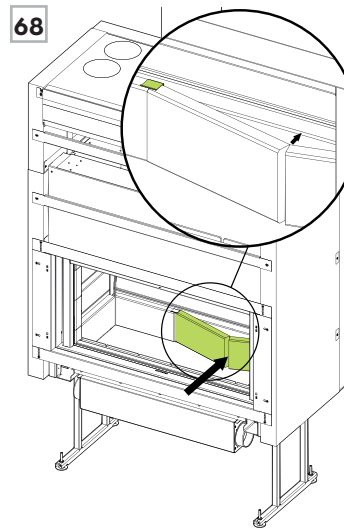
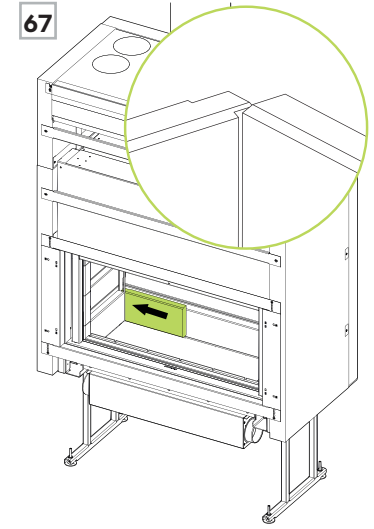
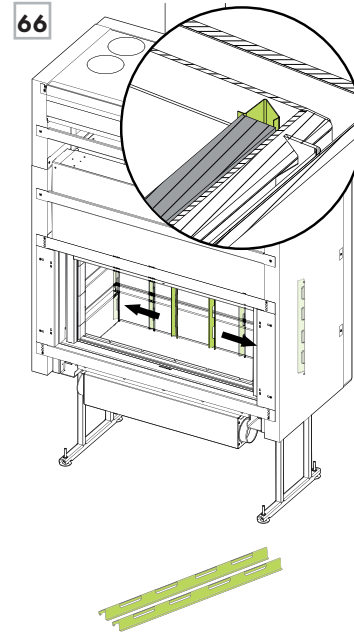
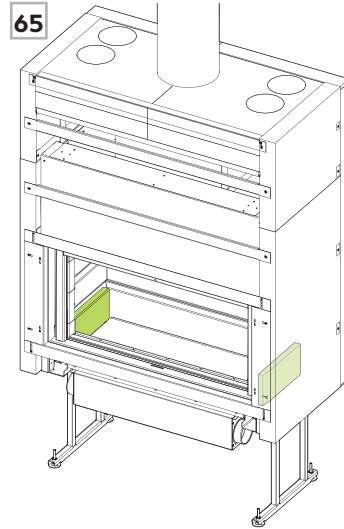
**Step 66** Position the corner refractory brackets behind refractory bricks 1 and 2 in the direction shown. The brackets must be placed **symmetrically**.

**Step 67** Place the refractory stone 3 making sure that the small notch is in the front.

**Step 68** Press bricks 4 and 5 together to place them to their position.

**Step 69** Continue placing the bricks in order. Check the previous page for the black dots, tightening refractory clips must be installed at these places.

**Step 70** Once the bottom bricks are in place, push the side bricks to the back to properly secure the bricks and clips.





**NOTE**  
For SF models only.  
See next page for DF models

**Step 71** Insert the pointy end of the baffle support into the notch located on the inside of the fireplace near the door. The small lip must be towards the inside of the fireplace.

**Step 72** The other extremity of the baffle support should rest on the top of the highest refractory brick located in the back of the combustion chamber.

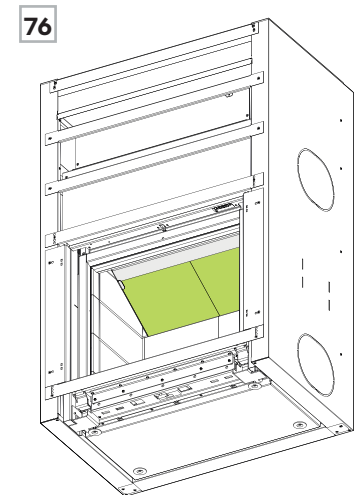
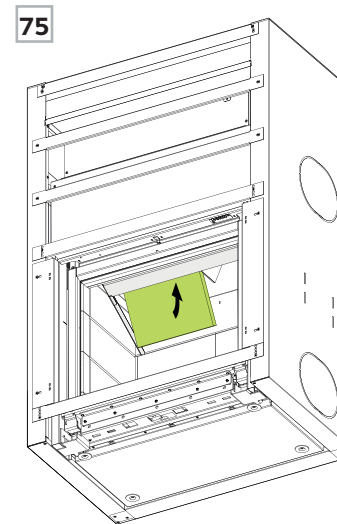
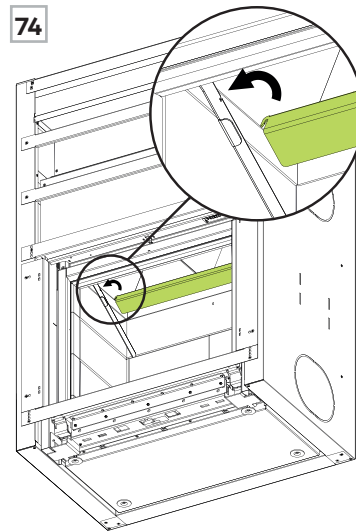
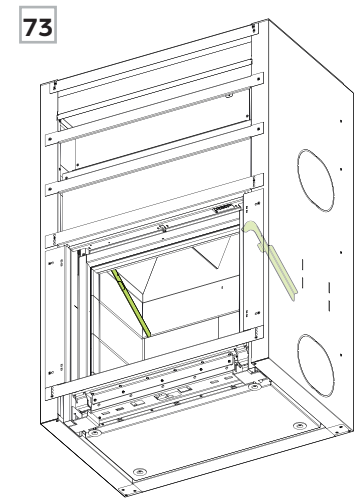
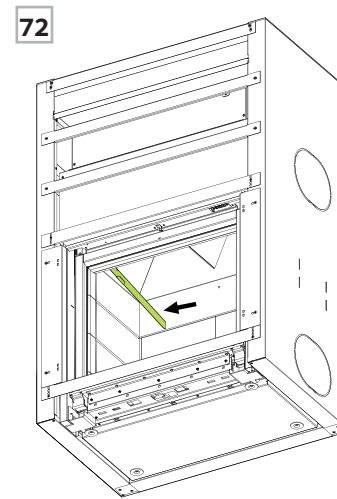
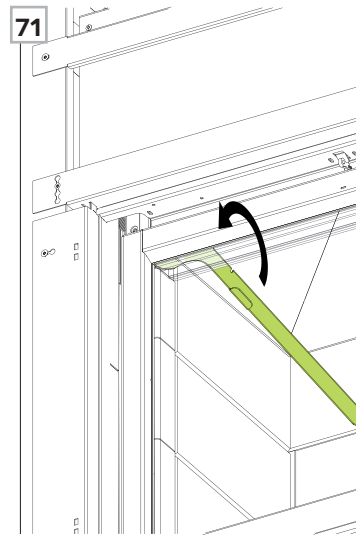
**Step 73** Repeat the previous steps to install the support on the other side.

**Step 74** Place the crosspiece over the supports and insert the two hooks of the crosspiece into the notches in the baffle supports.

**Step 75** Slide the vermiculites onto the flat edge of the crosspiece and on top of the back refractory bricks.

**Step 76** Place all vermiculites. If there are three vermiculites, finish with the centre one.

MODEL	VERMICULITES
21-85 SF	PW5010203100 <b>x2</b> (278mm X 315mm)
21-95 SF	PW5010203300 <b>x2</b> (369mm X 307mm)
21-105 SF	PW5010202100 <b>x3</b> (276mm x 236mm)
21-125 SF	PW5010202300 <b>x3</b> (346mm X 277mm)





**NOTE**  
For DF models only.

**Step 77** Enter the two pointy ends of the baffle support into the notches located on the inside of the fireplace near the doors. The small lip must be towards the inside of the fireplace. Repeat for the opposite side.

**Step 78** Place the two crosspieces onto the baffle supports and insert the hooks into the notch on the baffle support.

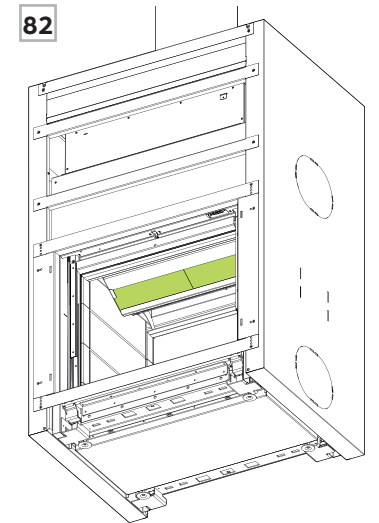
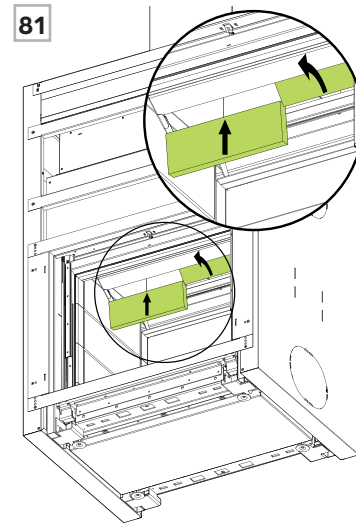
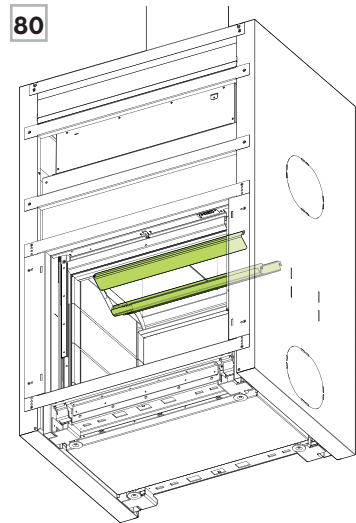
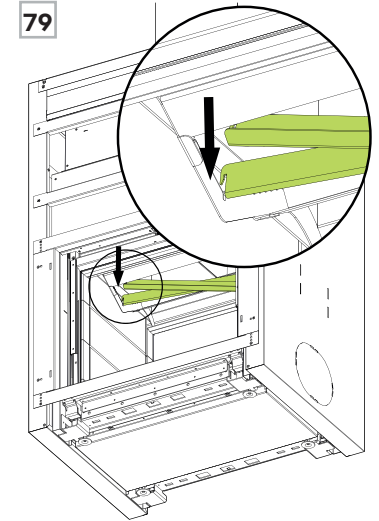
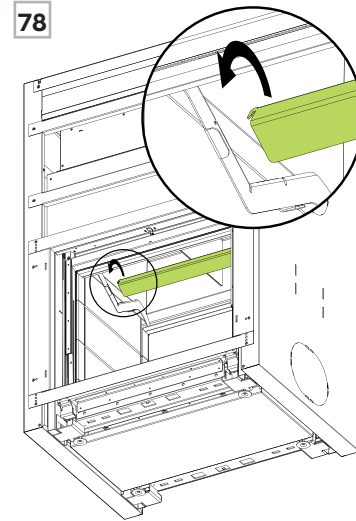
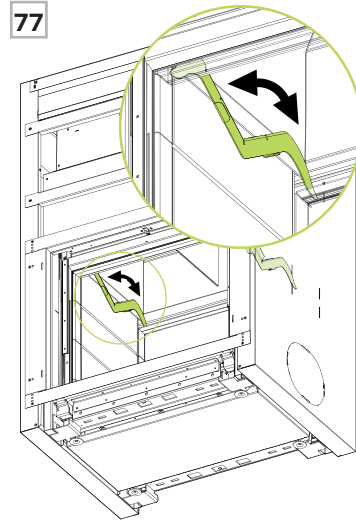
**Step 79** The edges of the crosspieces should be facing towards the glass doors.

**Step 80** These crosspieces will be used to install the vermiculites. Make sure they are firmly secured into the notches.

**Step 81** One at a time, place the vermiculites between the edges of the crosspieces so they sit on them.

**Step 82** Place all vermiculites. If there are three vermiculites, finish with the centre one.

MODEL	VERMICULITES
21-85 DF	PW5010203000 <b>x4</b> (315mm X 105mm)
21-95 DF	PW5010203200 <b>x4</b> (366mm X 166mm)
21-125 DF	PW5010202200 <b>x6</b> (345mm X 112mm)



## 4.9 CONVECTION INSTALLATION



### NOTE

The **insulated duct** shall be used for the **hot air** outlets and the un-insulated duct shall be used for the cold air intakes. Otherwise, it could pose a fire hazard.

**Step 83** Open the 2 convection air kit boxes and separate the cold air inlet and hot air outlet components to facilitate their installation.

**Step 84** Connect the flexible ducts to the fireplace as per the chosen configuration.

### TIPS

To ease the assembly with the hose clamp, roll back the insulation.

#### 1. Air outlets above the fireplace

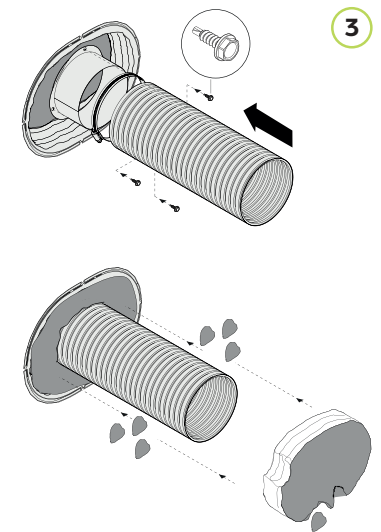
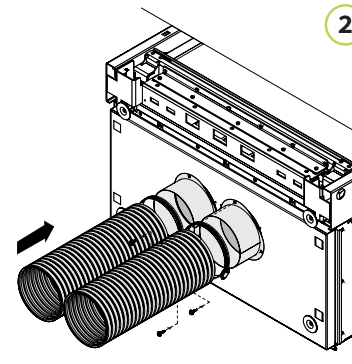
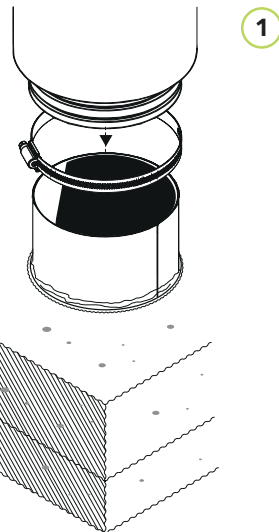
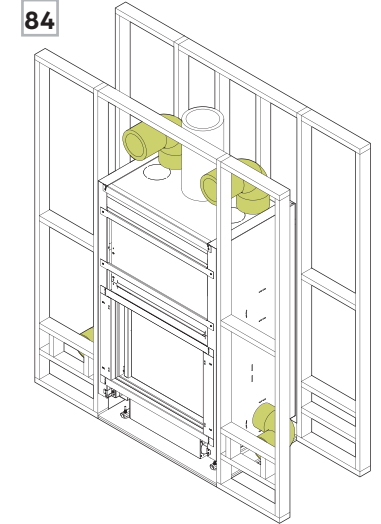
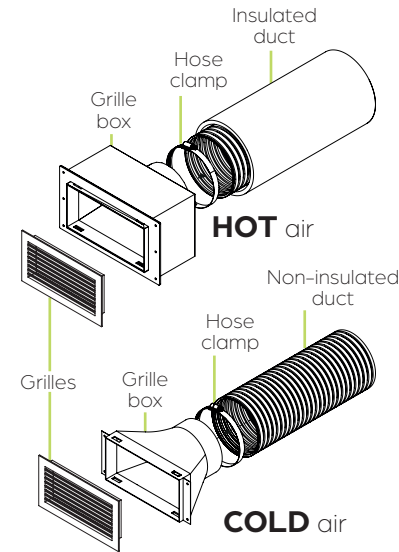
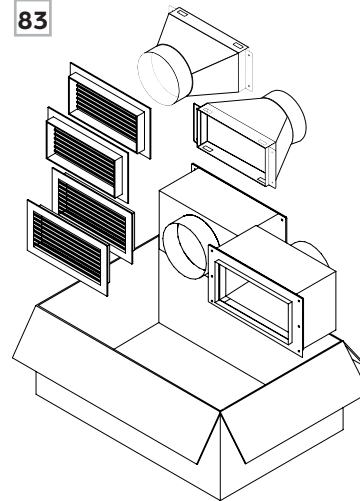
Install the insulated air ducts on top of the fireplace with a hose clamp. Rear opening is recommended.

#### 2. Air intakes below the fireplace

Install the un-insulated air ducts below the fireplace with a hose clamp and the convection kit.

#### 3. Air intakes and outlets on the sides and/or back of the fireplace

Install the air ducts on the sides or at the back of the fireplace using a hose clamp. Fill the empty space around the ducts with the previously cut scraps





## NOTE

The linear grille is installed differently than the standard grilles. See installation manual provided with the linear grille.



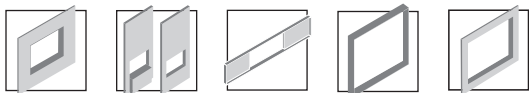
**Step 85** Position the framing so that the grille boxes can be installed according to the clearance instructions in the **AIR SUPPLY** section.

**The framing around the hot air grilles must be non-combustible** and adapted for the installation of the 4" cement board contour.

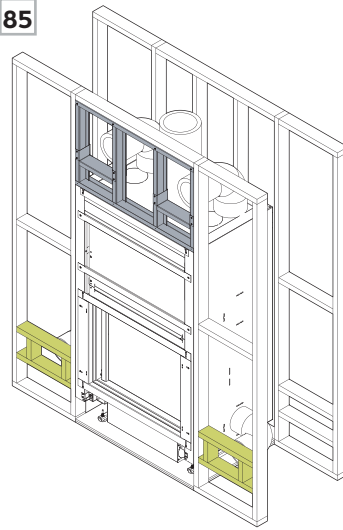
**Step 86** To avoid warping and stress in the material, insert the screw at 90° in the studs.

**Step 87** Screw the grille boxes in place. The screws are not included and should conform to the framing material being used.

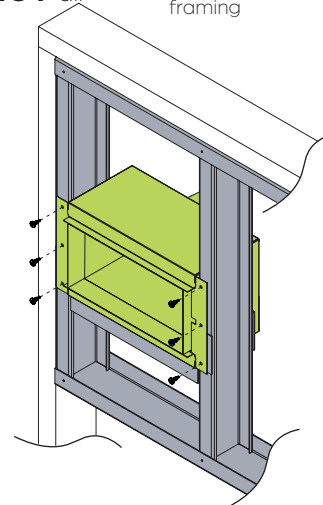
**Step 88** If a finishing frame has been selected, follow the instructions in the installation manual that came with the frame.



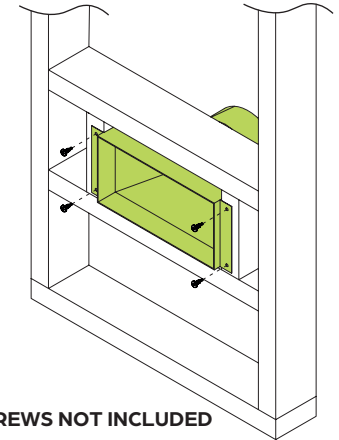
85



**HOT** air non combustible framing



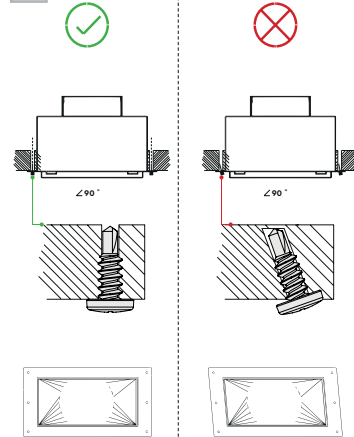
**COLD** air combustible framing



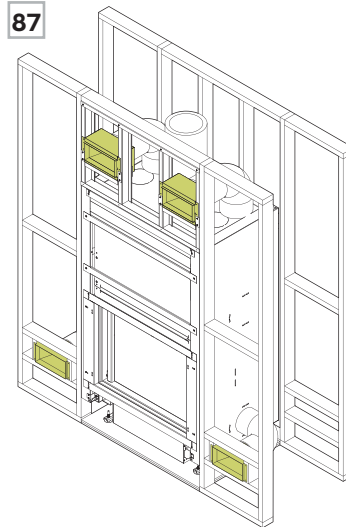
SCREWS NOT INCLUDED



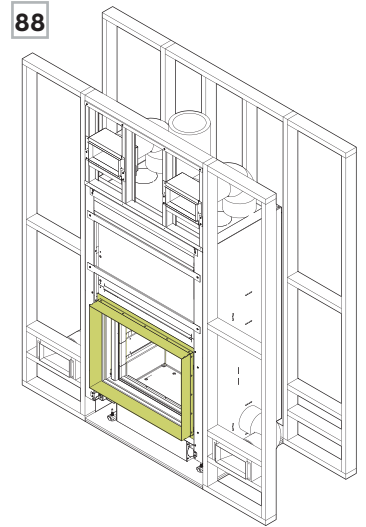
86

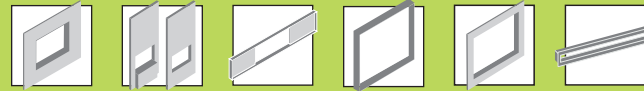


87



88





**NOTE**  
In order to prevent cracks, it is recommended to use a single piece of cement board instead of multiple pieces.

**Protect the fireplace door!**

**Step 89** Cut the 1/2" cement board to the right size as indicated in the **DIMENSIONS** section (Hearth opening) according to the fireplace model and fix it to the trims of the insulated shell (green sections on the diagram) or to the wall structure.

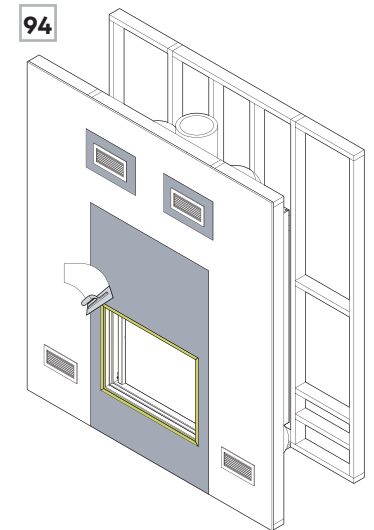
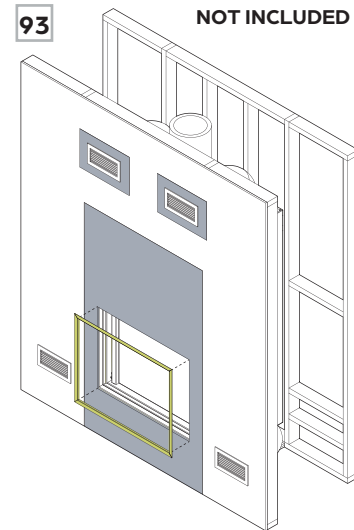
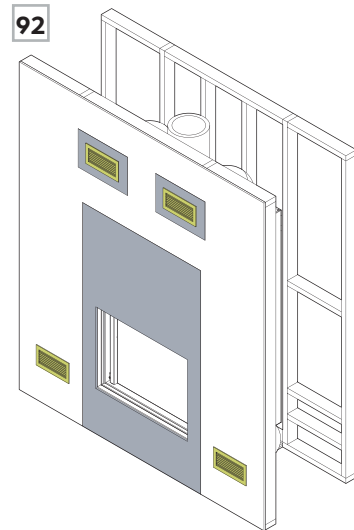
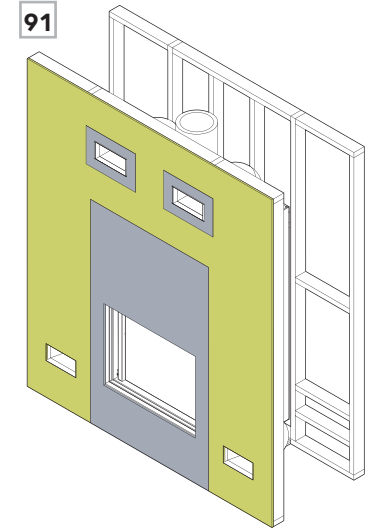
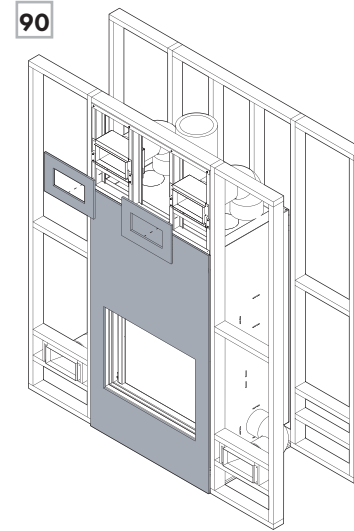
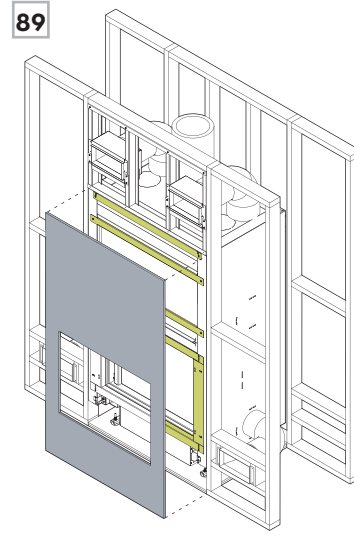
**Step 90** Cut and install the cement board contours around the hot air output boxes and secure it to the metal framing.

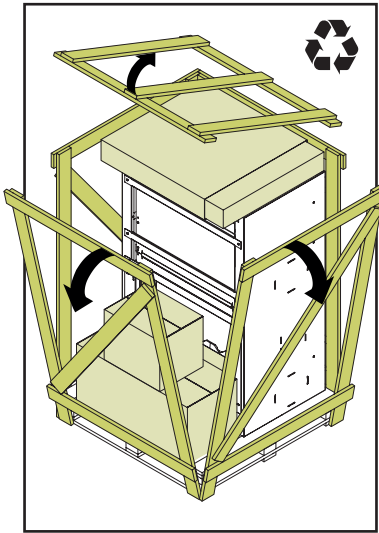
**Step 91** Install the drywall board to cover the wall and secure it to the framing.

**Step 92** Clip the grilles into the grille box already in place.

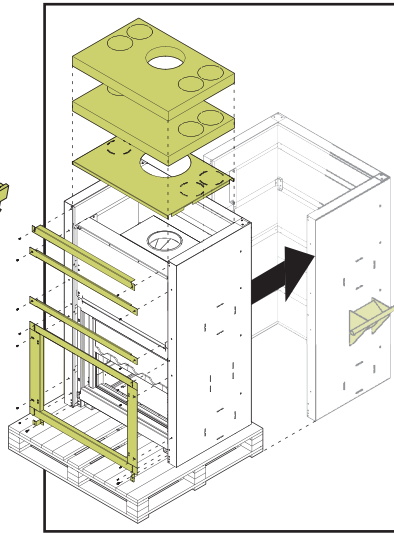
**Step 93** Place finishing angle bars (not included) around the opening of your finished wall to obtain straight angles.

**Step 94** Protect the glass and fireplace paint, then proceed to drywall finishing and desired wall finish using **non-combustible materials**.

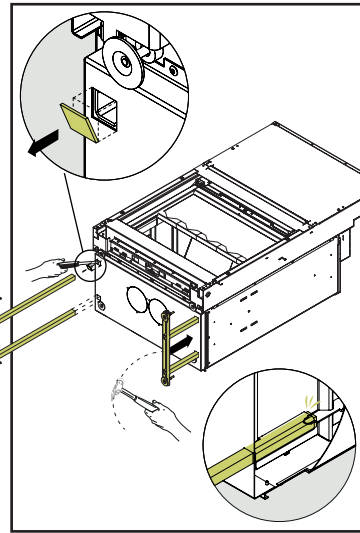




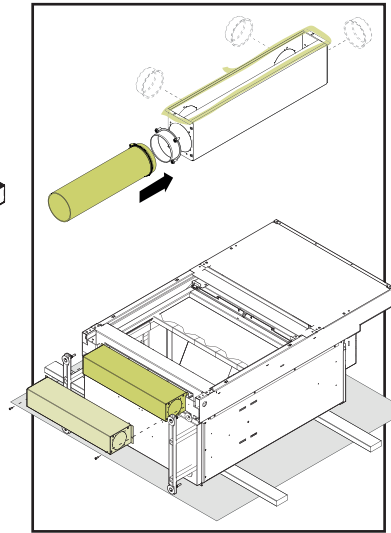
1. Confirm contents and uncrate the unit.



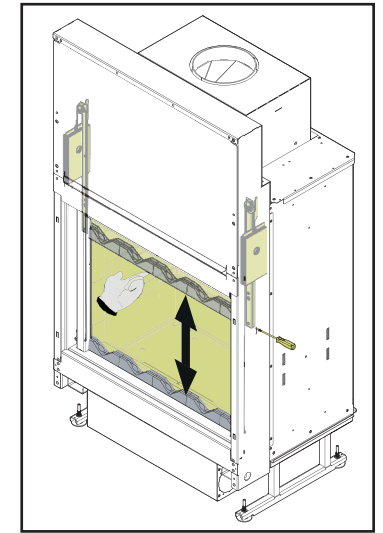
2. Remove the insulated shell from the fireplace.



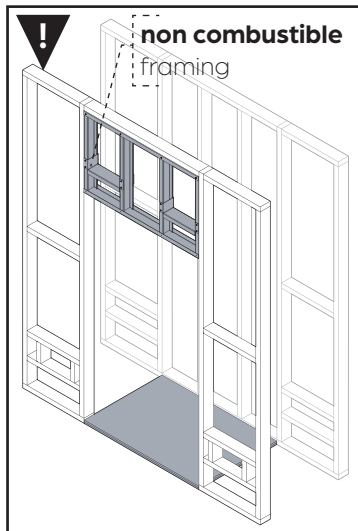
3. If the adjustable stand was chosen, install them.



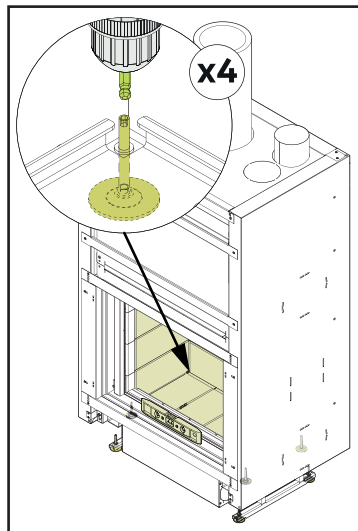
4. If the outside air option was chosen, install them.



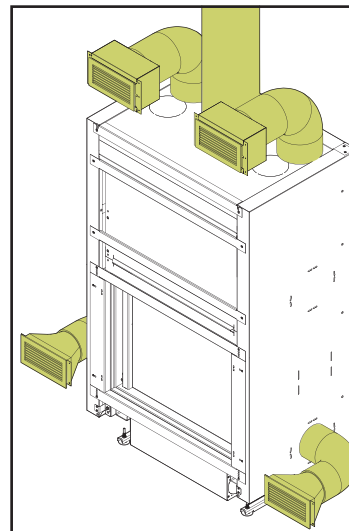
5. Remove locking screws and ensure proper functioning of the glass.



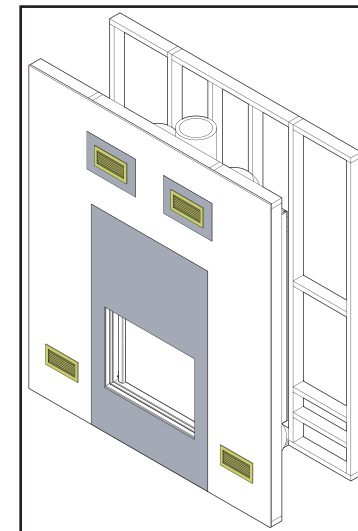
6. Finish the framing and ensure compliance with the clearances to combustible materials



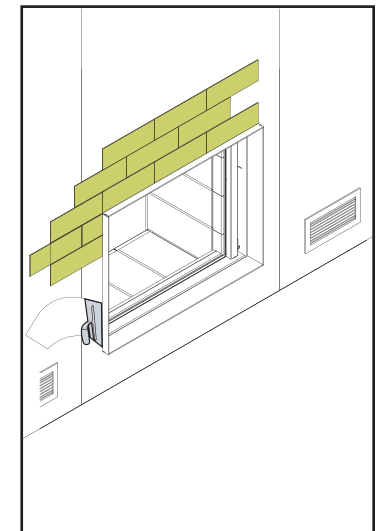
7. Level the fireplace and place the inner protection.



8. Connect the chimney and the convection system.



9. Install the frame, the drywall and the cement board.



10. Finish the wall.

# 5

## CHIMNEY

5.1	DIMENSIONS AND CERTIFICATION .....	48
5.2	INSTALLATION TYPE .....	49
5.3	MASONRY CHIMNEY .....	50





# 5.1 DIMENSIONS AND CERTIFICATION



## CHIMNEY DIAMETER

Use only an insulated chimney that complies with **UL-103HT** or **ULC-S629** standards. For more information, contact your local fire department before beginning your project.



MODEL	Ø int.	Ø ext.†
21-85 <b>SF</b>	8"	10" to 12"
21-95 <b>SF</b>	10"	12" to 14"
21-105 <b>SF</b>	8"	10" to 12"
21-125 <b>SF</b>	10"	12" to 14"

MODEL	Ø int.	Ø ext. †
21-85 <b>DF</b>	10"	12" to 14"
21-95 <b>DF</b>	12"	14" to 16"
21-125 <b>DF</b>	12"	14" to 16"

† Exterior diameter may vary.

### NOTE

- Do not connect the appliance to a chimney that is already connected and used by another appliance. A chimney used as an outlet for a fireplace may not be used for more than one appliance.
- Do not cut trusses, rafters or ceiling joints without consulting a building official to ensure that structural integrity is not compromised.
- It is recommended but not mandatory that a straight section of chimney be installed between the unit and an offset.

## CHIMNEY LENGTH

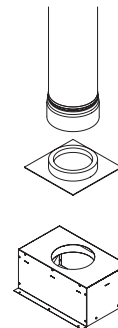
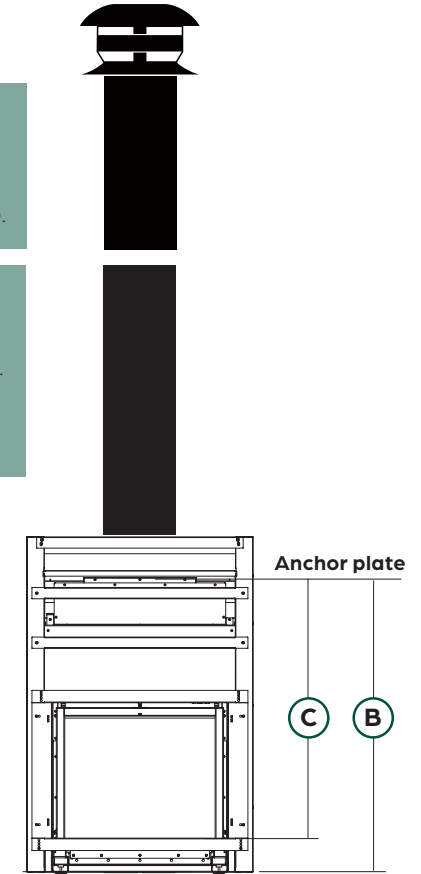
### MIN. 15' / MAX. 45'

The chimney height must be between **15 feet minimum and 45 feet maximum** from the bottom of the appliance to below the rain cap.

### Chimney Length

To calculate the number of chimney sections required, start counting from the anchor plate. Measure its location from (B) under the unit or from (C) the bottom of the the opening.

MODEL	B	C
21-85	59 1/8"	51 3/4"
21-95	63 1/2"	56 1/4"
21-105	56 1/8"	48 7/8"
21-125	59"	51 7/8"



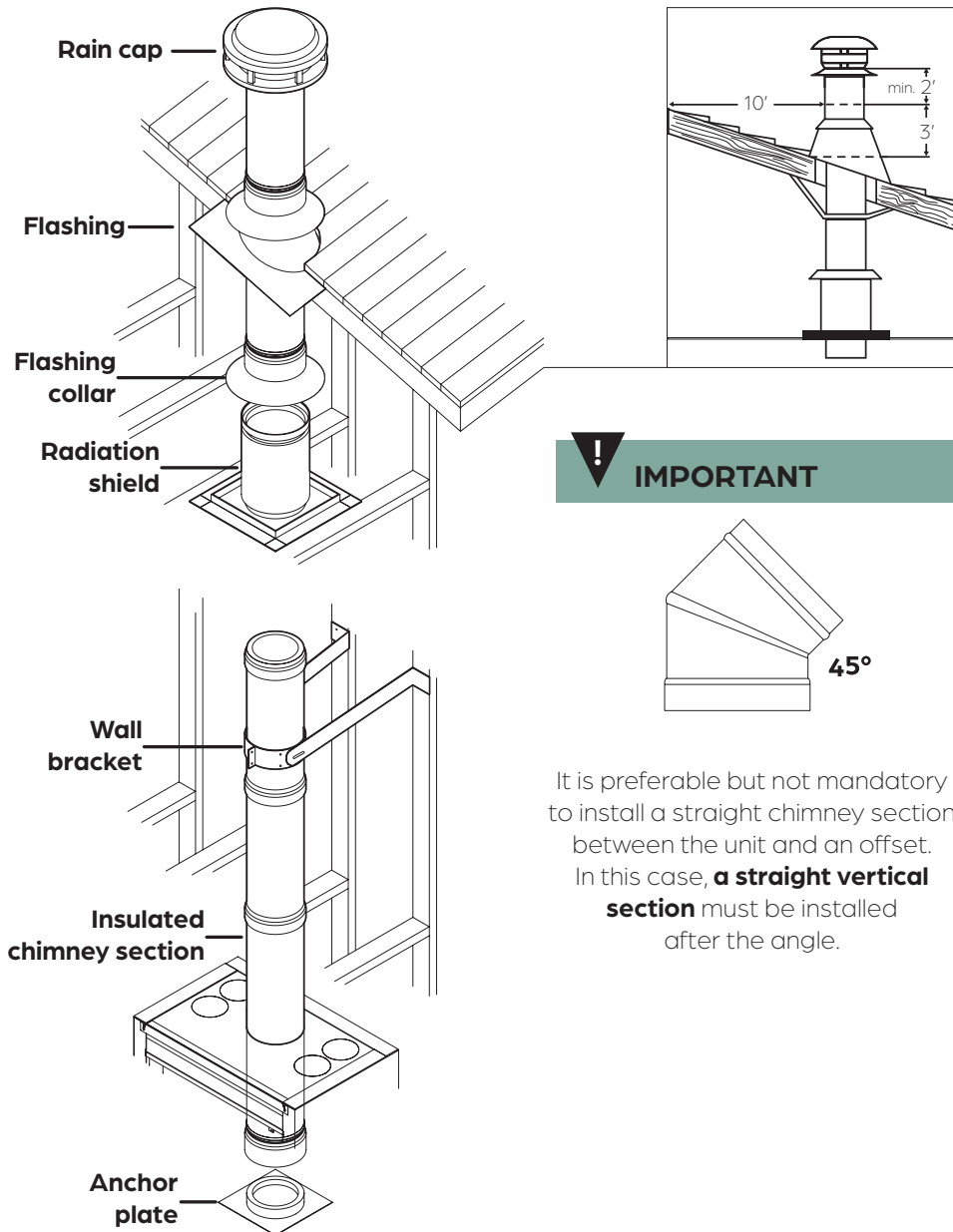
Before connecting the chimney, make sure that the fireplace is in its final position and that it is level (Refer to page 37 if necessary).

Having previously attached an anchor plate to the insulated chimney box with a first chimney section (See page 34), finalize the chimney connection by following the procedure on the next page.

Calculate the required chimney length according to the information on this page and the next one, make sure you have all the required components.



## INSTALLATION DIAGRAM



### IMPORTANT

It is preferable but not mandatory to install a straight chimney section between the unit and an offset. In this case, **a straight vertical section** must be installed after the angle.

## INSTALLATION PROCEDURE



### CAUTION

Care must be taken during installation. Shortcuts or compromises may result in safety hazards or even fire.

Please refer to the chimney manufacturer's instruction manual for appropriate and safe installation details.

**Step 1** Once the fireplace is in place, make an opening between the ceiling(s) aligning it with the chimney sections that are installed. The opening must be large enough to insert the chimney flue.

**Step 2** Install a radiation shield below each floor/ceiling through which the chimney passes. At the attic level, install a radiation shield and a flashing collar.

**Step 3** Connect the chimney flues to the ceiling starting from the previously installed chimney section. Follow the manufacturer's instructions.

**Step 4** For the roof, install a roof radiation shield. The roof radiation shield must be installed so that it extends 1' beyond the roof line.

**Step 5** Install the collar.

- If the chimney is enclosed up to the roof, use a ventilated flashing.
- If the chimney is not enclosed up to the roof, use a regular flashing.

**Step 6** Seal the joint between the roof and the flashing using roofing compound. For a pitched roof, place the flashing under the upper shingles and over the lower shingles. Nail the flashing to the roof using roofing nails.

**Step 7** Install the flashing collar around the chimney just above the flashing. Seal the collar around the chimney using silicone sealant (**Do not use a roofing compound**).

**Step 8** Install and secure the rain cap to the top of the chimney.



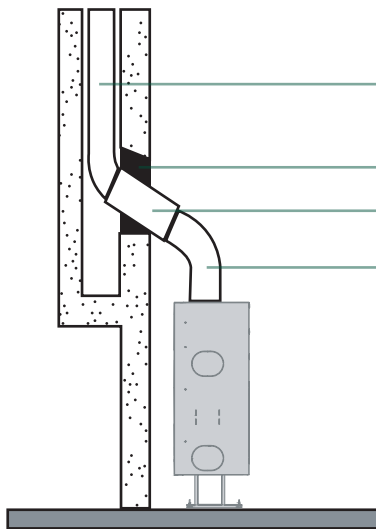
The installation of a Stûv fireplace in a masonry chimney still requires the installation of a section of a chimney above the fireplace until it connects to the listed liner that will line the inner surface of the masonry chimney. A rigid stainless steel liner must be installed inside the fired clay liner inside the masonry chimney. The rigid liner does not replace the fired clay liner in any way. You can use any liner listed to ULC-S635, ULCS640 or UL-1777 standards. You must ensure that the chimney section and the liner are strongly secured together.

A masonry adapter FO-FDM(-) has been designed specifically for this use and is available from a dealer. This adapter attaches with 3 rivets (supplied) to the rigid liner and with

3 screws (supplied) to the chimney. Once the mortar is in place, the joint between the chimney and the rigid liner should not be visible in order to isolate the heat released through the liner from the fireplace enclosure. You must install a section of chimney of at least 46 cm after the chimney elbow.

The highest point of the chimney, where the chimney enters the masonry chimney, must be no less than 31 cm from combustible ceiling materials.

If ceiling height permits, install one of the chimney lengths directly on the fireplace, before the elbow. If a flexible liner is used, the cleaning should be carried out carefully so that it is not displaced.



Listed liner to ULC-S635, ULC-S640 or UL-1777

Mortar

Chimney (min. 18")

Chimney elbow

Observe clearances according to NBC or NFPA 211

## ! CAUTION

If you plan to use an existing masonry chimney, you must have it inspected by competent authorities to confirm the following points:

- The masonry chimney is properly constructed, fully lined and complies with municipal by-laws and the National Building Code of Canada (NBC) or National Fire Protection Association (NFPA 211) standard.
- The masonry chimney has been completely cleaned of all soot and creosote residue and has been inspected to confirm that it is still in good working order. There is no insulation of any kind in contact with the masonry chimney and there is no insulation of any kind trapped anywhere in the chimney.
- All necessary clearances around the masonry chimney, along the entire length of the masonry chimney, are complying with CNB or NFPA 211. If the masonry chimney is enclosed behind drywall boards, openings must be made to confirm all clearances.
- The masonry chimney will be used only for the fireplace and not for any other appliance.
- If major repairs are required to meet the above mentioned points, a new masonry chimney will have to be built.

To make a hole in the masonry chimney and connect it to the fireplace, we recommend that you follow these steps:

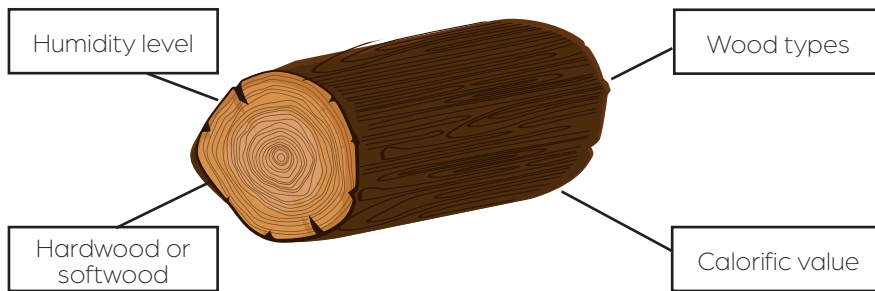
- Determine and mark where the chimney is to be inserted into the masonry chimney. Using a large masonry drill bit ( $\frac{3}{4}$  to 2"), drill a hole exactly in the centre of the oval line. Using a masonry hammer and drill, gradually widen the hole to the desired size. Remember to work from the centre of the hole to the outside. Be particularly careful when drilling the fired clay liner behind the brick as the other three sides must remain in place.
- Slide the stainless steel liner from the top of the chimney down. If you are using a rigid liner, you will need enough space to fix an elbow with at least 2 rivets. If the rigid liner does not slide easily or if the masonry chimney has an interior opening of less than 10" X 10", a listed flexible liner can be used with a flexible/rigid adapter (LM-7LAF) available from a chimney dealer.
- Install the rigid liner elbow and masonry adapter at the lower end of the liner.
- Push the fireplace forward to install the chimney (elbow and length) and then push the fireplace back into place while connecting the chimney to the masonry chimney adapter.



# 6

## USE

6.1	WOOD SELECTION .....	52
6.2	DO NOT USE .....	53
6.3	FIRESCREEN .....	53
6.4	STARTING THE FIRE .....	54
6.5	RELOADING THE FIRE.....	55
6.6	ASH REMOVAL .....	55



## HUMIDITY LEVEL

It is essential to use **dry wood** that has a moisture content of **less than 18%**. This will ensure **more efficient** and **clean combustion**.

Using **wet or semi-dry wood** with a moisture content **higher than 18%** will result in mediocre and less efficient combustion. The fire will be smaller and difficult to start. It will release a great deal of **black smoke** and **pollution** into the air and also sully your glass pane and chimney pipe.

### To choose dry wood, use a moisture meter or check if...

- The wood is lightweight and slightly split
- You hear a snap when banging one log against the other
- The bark comes off easily
- There are cracks from the centre to the edge

## HARDWOOD OR SOFTWOOD

The harder a wood is, the more heat it will produce and the slower it will burn (at equivalent moisture content).

Softwood can be used as kindling over hardwood. It burns more quickly (at equivalent moisture content) despite its lower calorific value.

- **Hardwood:** oak, beech, elm, ash, acacia, hornbeam, maple
- **Fruit tree wood:** walnut, cherry, pear, apple, olive
- **Softwood:** poplar, birch, linden, locust, chestnut
- **Resinous wood:** maritime pine, spruce, Scots pine, fir, larch

## WOOD TYPES

**Ash and beech** are recommended as firewood as they dry quickly and are easy to find. They must be stored under a shelter immediately after being cut and split, otherwise they rot very quickly and lose their calorific value. They are easy to light and produce very bright, lively flames.

**Maple** has a good calorific value. It produces fires and embers that last a long time.

**Oak** is an excellent fuel, but unlike other wood species, it has to remain uncovered for two years to allow the rain to remove the tannins it contains. Then it has to be stored under shelter for another year or two before it can be burned. Small oak branches have a high sapwood content, which burns too quickly. Oak burns slowly, produces a calm fire and beautiful embers. It is ideal for barbecuing and for moderate fires.

**Hornbeam, cherry and fruit trees** are excellent fuels, but are rare. These are hardwoods. They produce beautiful, harmonious and calm flames, and beautiful embers. Ideal for a barbecue or a calm fire.

**Birch, linden, chestnut, poplar and black locust** are broad-leaved trees with soft wood. They produce beautiful, harmonious, but bright flames and few embers. Because they burn quickly, they can be used to start (or restart) the fire. Caution: Poplar produces abundant and volatile ash while black locust produces significant sparks.

**Resinous woods** generate a lot of heat, but they burn quickly. They throw sparks and the resins they contain cause build-up in the chimney.

## CALORIFIC VALUE

Each type of wood has a different calorific value and all burn in different ways.

**We strongly encourage the use of hardwoods** such as hornbeam, maple, oak, ash, elm and beech. They produce beautiful flames and plenty of embers that glow for a long time.



### ! CAUTION – NOT TO BE USED

#### Burn only firewood. Do not burn:

- Garbage
- Lawn clippings, yard waste or unseasoned wood
- Materials containing plastic, petroleum-based products, gasoline, liquid fuel or rubber, including tires
- Waste petroleum products, paints or paint thinners, or asphalt products
- Industrial solvents
- Flammable liquids such as naphtha and motor oil
- Painted wood, varnished wood or chemically treated wood
- Materials containing asbestos
- Construction or demolition debris
- Salt water driftwood or other previously salt-water saturated materials
- Railroad ties or pressure-treated wood
- Manure or animal remains
- Paper products, cardboard, plywood, or particleboard. The prohibition against burning these materials does not prohibit the use of fire starters made from paper, cardboard, saw dust, wax and similar substances for the purpose of starting a fire in this unit
- Any substance that emits dense fumes and strong odours

The heat produced by these materials is too great and can damage the appliance, in addition to causing soot to form on the glass pane and on the inside of the chimney pipe. These materials produce toxic and polluting fumes, such as carbon monoxide, which can be hazardous to health. Burning these materials may result in release of toxic fumes or render the heater ineffective and cause smoke.

**Composite logs (ecological):** Composite/ecological logs are to be avoided. They sometimes emit residues that sully the mechanisms and cause the appliance to age poorly.

Stûv appliances are designed for domestic use and must never be used to incinerate garbage of any kind.

This wood heater has not been tested with decorative sets (logs, pebbles) for unvented gas fireplaces. To reduce the risk of fire and/or injury, it is prohibited to install a decorative set in the combustion chamber of the appliance.

The **best performance** of your appliance is obtained **when the glass is closed** (glass door). **Open door** operation consumes more air, more wood and releases more gases into the atmosphere. For these reasons, we recommend choosing this mode of operation **for special occasions!**

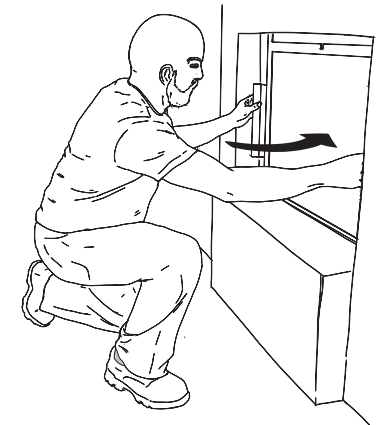
**Avoid unattended open fire operation.** With the firescreen, the window can be fully or partially raised (approx. 2/3). In this position, perceptible through a small notch in the door jamb, seals ensure smoke-tightness. **Avoid any other intermediate position**, there is a slight risk of back draft.

### ! IMPORTANT

When the fireplace is used in open fire or raised glass mode, it is **mandatory** to use the firescreen.



**Step 1** Take the firescreen by the wood handles and insert the vertical tabs as far as possible under the front portion of the fireplace.



**Step 2** Gently push the firescreen downwards and towards the bottom to properly put it in place.



**CAUTION**

Read the safety instructions on pages 5 and 6 before using your fireplace. Upon first use, some smoke or odours may be produced.

**Ventilate the room well.**

Never leave the fireplace handle on the unit or in front of the glass during use, the handle will get hot and may cause burns.

Do not stir or agitate the wood when it is burning.

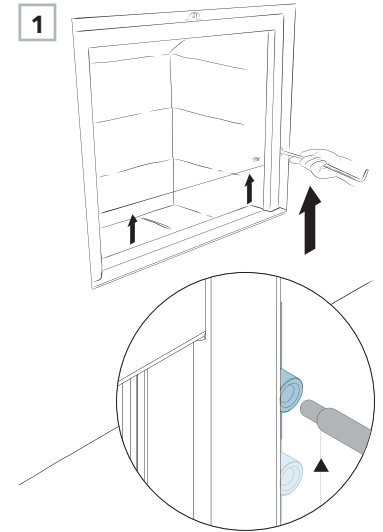


**In case of a chimney fire**

1. Call the fire department
2. Put out the fire with a type A or ABC extinguisher (powder, foam or water and additive) Avoid using a bucket of water or any other hazardous method to put it out.
3. Air out the room in which the unit is located.
4. After a chimney fire, have it cleaned and inspected by a professional.
5. Make the necessary repairs before using it again.

If the outside temperature is higher than the inside temperature, load more paper and more kindling to properly heat the chimney flue and thus counter the temperature unbalance. First ignite paper balls in addition to 700 to 1,000 g of kindling no bigger than  $\pm 4\text{cm}^2$  of cross-section.

The maximum load to prevent overheating is **2x the weight of the hourly consumption**. Refer to the table on page 6.



**Step 1** Using the fireplace handle provided with the unit, slide the glass up.

**Step 2** Place the wood logs in the combustion chamber using the inverted lighting technique as shown for a better combustion.

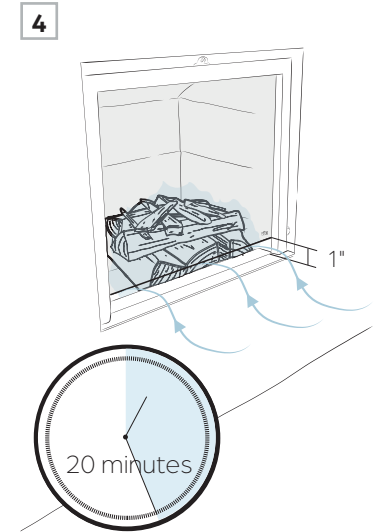
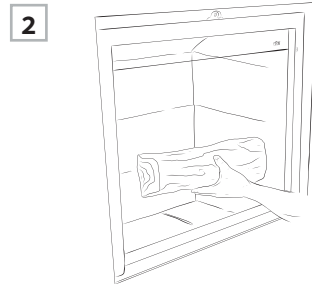
**Step 3** Light the fire.



**ATTENTION**

It is recommended to use fire starters made from sawdust or wood fiber, without chemical and toxic additives. Paraffin or other waxy substances can block the air supply system.

**Step 4** Leave the glass door ajar by about 1" for a minimum of 20 minutes. This helps create a better draft when starting the fire and prevents smoke condensation and soot deposits.



## 6.5 RELOADING THE FIRE

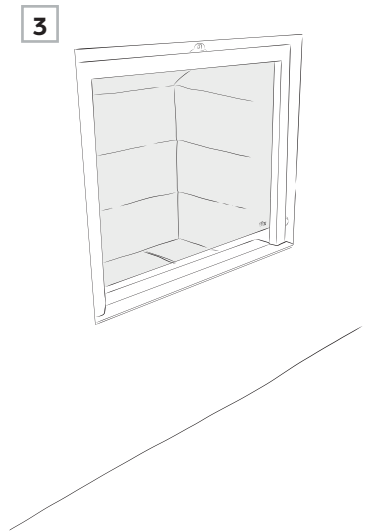


**Step 1** Slowly slide the glass upwards to prevent a back draft.

**Step 2** Add wood using the Stûv glove supplied with the unit.

**Step 3** Close the glass door and enjoy the fire.\*

\*It is normal to feel resistance when lifting the glass door when the fire is burning.

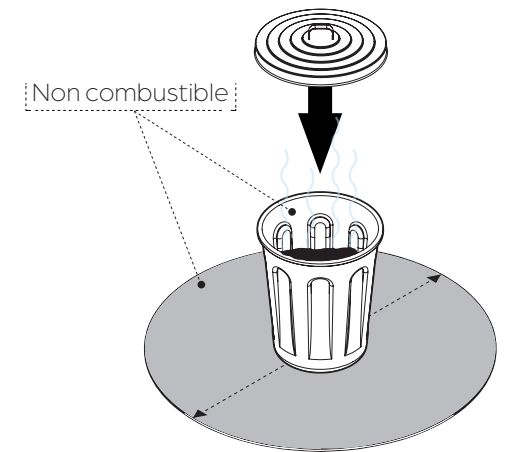
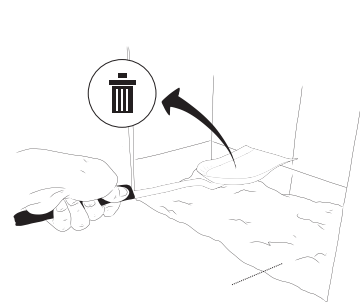
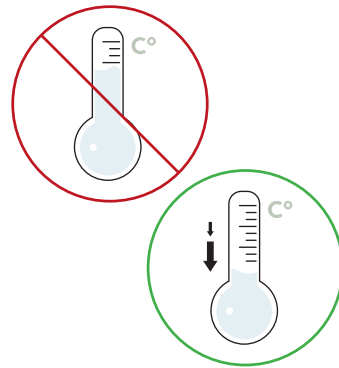


## 6.6 ASH REMOVAL

**Step 1** Wait until the ashes are cold before removing them from the combustion chamber.

**Step 2** Use an ash shovel to remove ash. Place the ashes in a metal bucket.

**Step 3** Place the bucket filled with ashes on a non-combustible floor. Be sure to keep the bucket away from any combustible material.



\* Leaving 1" of ash bed after each use helps start the next fire.

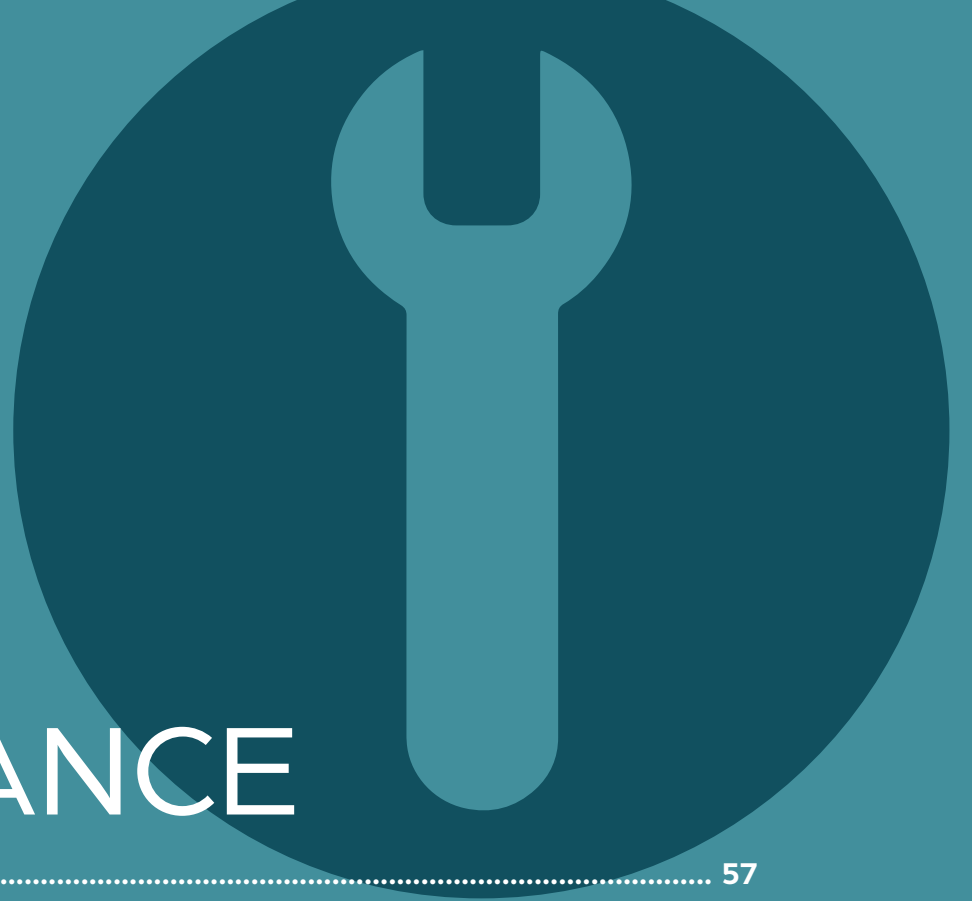


### NOTE

Before they can be disposed of, ashes should be kept in a **non combustible bucket with a tight lid** until they have cooled completely.

Remove the ashes regularly. Burning ashes can damage the lower glass door seal. This deterioration is not covered by the warranty.





# 7 MAINTENANCE

7.1	REGULAR MAINTENANCE .....	57
7.2	ANNUAL MAINTENANCE.....	57
7.3	CREOSOTE AND CHIMNEY-SWEEPING .....	59
7.4	PULLEYS AND COUNTERWEIGHTS .....	59
7.5	COMPONENTS REPLACEMENT .....	60

## 7.1 REGULAR MAINTENANCE

1. During the heating season, have your chimney regularly inspected by a professional. Soot removal (sweeping) is recommended every two months to avoid creosote build-up.
2. Remove excess ash after each use. Do not wait for the ashes to overflow the fireplace. Excess ash can obstruct the supply of fresh air during combustion.  
**Ash removal is explained in the *USE* section of this manual.**
3. Cleaning the inside of the glass:
  - Tilt the door 90° using the fireplace handle.
  - Protect painted parts and flooring.
  - Finish with a non-abrasive glass cleaner or clear water. It is also possible to use ashes and water to effectively clean accumulated soot.

## 7.2 ANNUAL MAINTENANCE



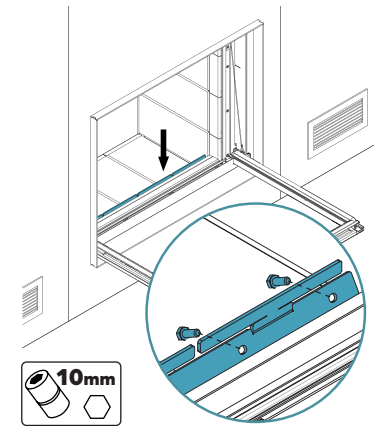
### CAUTION

Before carrying out maintenance, wait until the unit has cooled down completely. The glass needs to be lowered completely in order to be able to tilt the door.

#### These four steps are described below.

- Vacuum the ashes from the joint section.
- Check condition of seals
- Lubricate the slides
- Clean the glass closing magnets

At least once every two years, remove and clean the smoke deflector to prevent soot from blocking the smoke outlet.

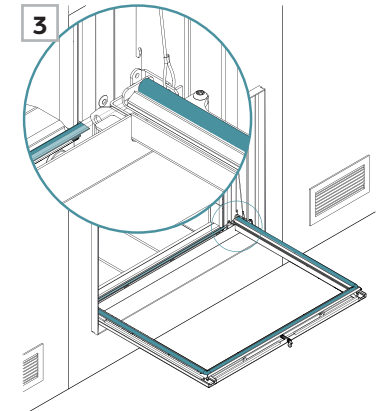
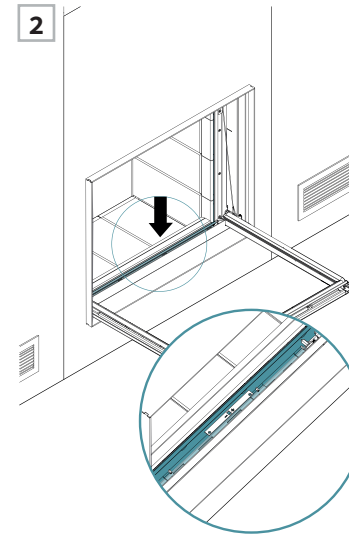
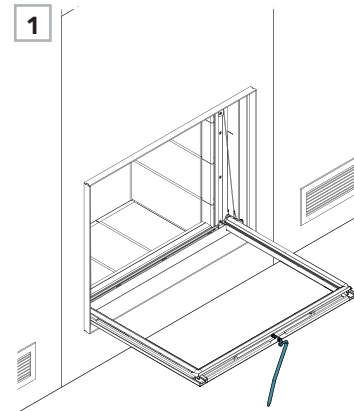


**Step 1** Tilt the door forward.

**Step 2** Vacuum any ashes that may have accumulated under the glass door in the joint section.

**Step 3** Check the condition of the woven seal around the door perimeter and the lower silicone seal.

**Contact a Stûv dealer in case of damage to the seals.**



## 7.2 ANNUAL MAINTENANCE



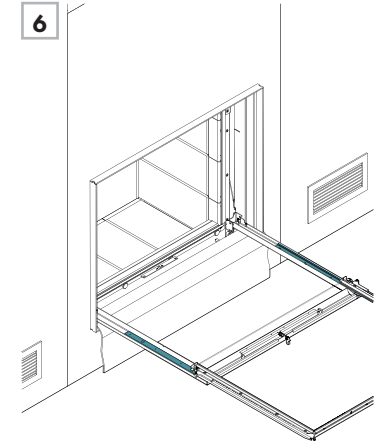
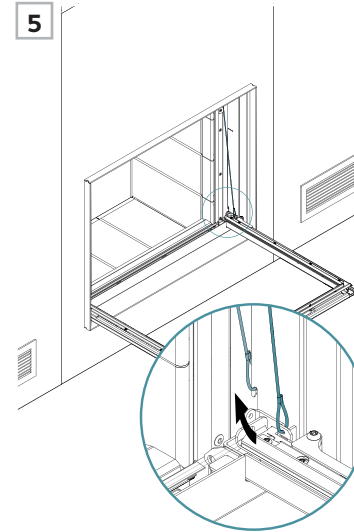
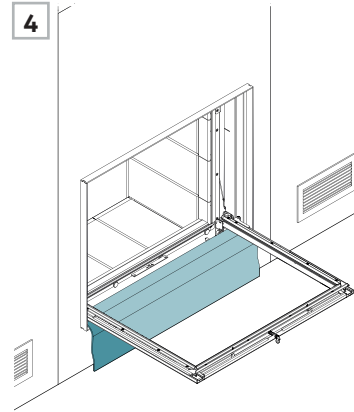
**Step 4** Place a support and/or a cloth to remove the door and avoid damaging the paint

**Step 5** Unhook the cables from the door and attach them in *standby* mode.

### ! CAUTION

The cable must be held tight to make sure not to lose it!

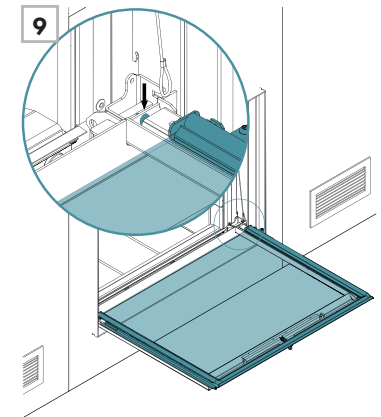
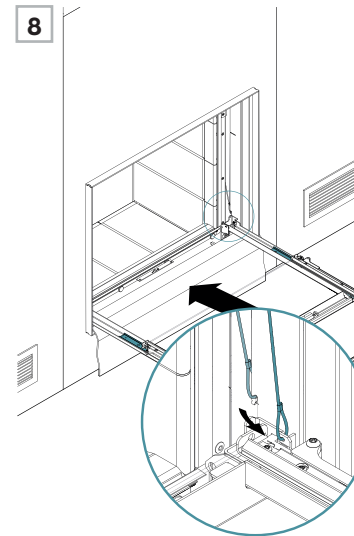
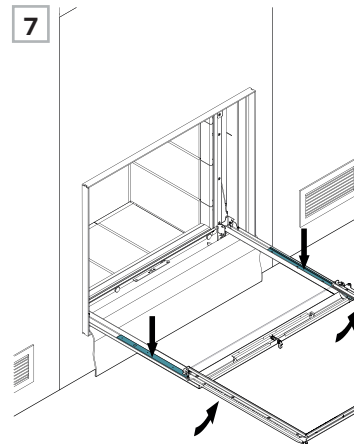
**Step 6** Slide the pane as far as it will go to gain access to the side rails.



**Step 7** Lubricate both sides (top and bottom) of both rails with the high-temperature lubricant (15 g tube - supplied with the fireplace).

**Step 8** Slide the glass pane towards the fireplace and replace the 2 counterweight cables on the sliding parts.

**Step 9** Slide the glass pane  $\pm$  4 cm and wipe the magnets with a cloth to remove any metal residue that may have stuck to them.



## 7.3 CREOSOTE AND CHIMNEY-SWEEPING

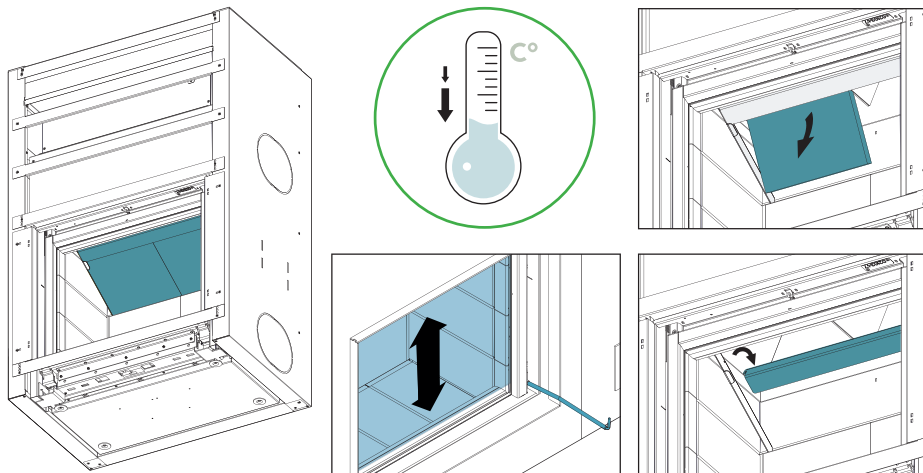
**Creosote** is a thick, black, brittle or smooth (vitrified) residue resulting from incomplete combustion of wood. During slow combustion, the wood releases tar droplets that condense on the cold chimney lining. The shape of the residue varies as a result of the time and the internal temperature of the lining on which the creosote vapors condenses.

This build-up of creosote can be very hazardous. When ignited, it produces an extremely hot fire in the chimney. Have your chimney professionally inspected **every two months** during the heating season to assess whether or not a creosote build-up has occurred. If so, remove any built-up residue to **reduce the risk of a chimney fire**.

Before carrying out a complete **sweeping**, Stûv recommends using a dose of Fulgurant (a product that decomposes soot) to thoroughly clean the glass of the appliance. Use a product compatible with the type of chimney flue installed. Refer to product instructions for use during maintenance.

**Soot Removal Steps** – Before doing the maintenance, wait until the unit has cooled down completely.

1. If sweeping is done **from the inside**, slide the glass upwards.
2. Remove the top vermiculites supported by the baffle kit.
3. If sweeping is done **from above**, lower the glass door by pressing down on the cylinder grip.
4. Carry out the sweeping according to local regulations.



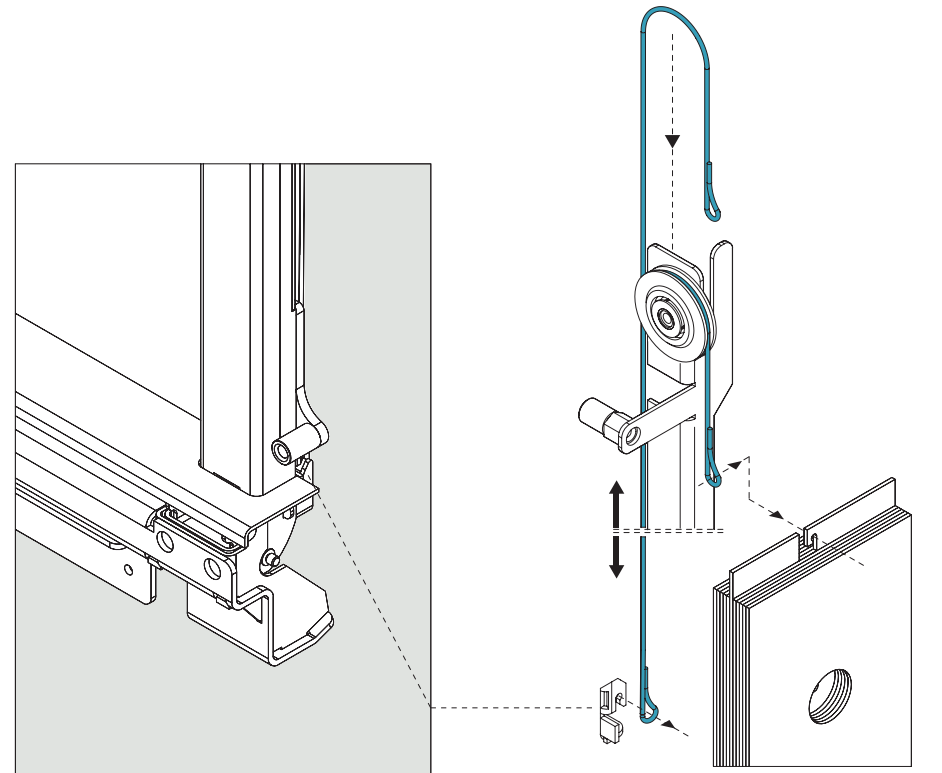
## 7.4 PULLEYS AND COUNTERWEIGHTS



The Stûv 21 range of fireplaces is equipped with a guillotine door that works with a system of pulleys and counterweights. The basic principle is quite simple:

1. A steel wire is attached to a hook at the bottom of the glass frame.
2. The cable is then placed on a pulley fixed on the top of the unit.
3. The second end of the wire hooks onto a free counterweight located on the sides of the fireplace.
4. When you lift the handle located at the bottom right or left of the glass, an upward movement brings the counterweight down, giving you access to the fireplace hearth.

For details on how to operate and reinstall the cable of the pulleys, see section **INSTALLATION** on page 33.



# 7.5 COMPONENTS REPLACEMENT

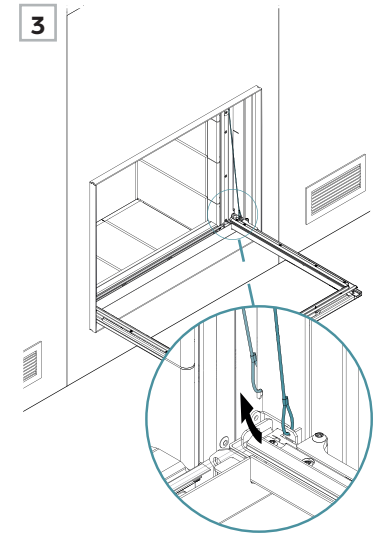
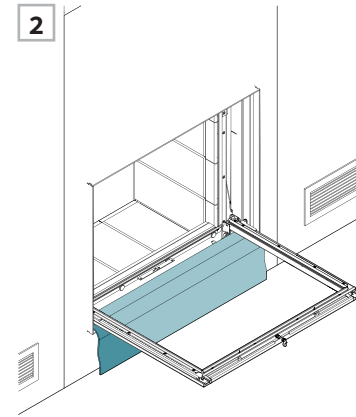
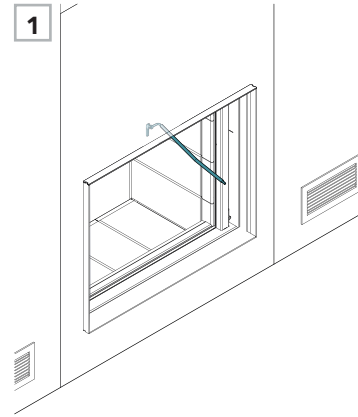


## DISASSEMBLY

**Step 1** Using the fireplace handle open the glass door and tilt it open like an oven. It is recommended to use some kind of support on which the door will rest to avoid damage.

**Step 2** Use rags to make sure the paint is protected

**Step 3** Carefully unhook the counterweight cables in both bottom corners and attach them to the hooks made for this purpose on each side of the unit.

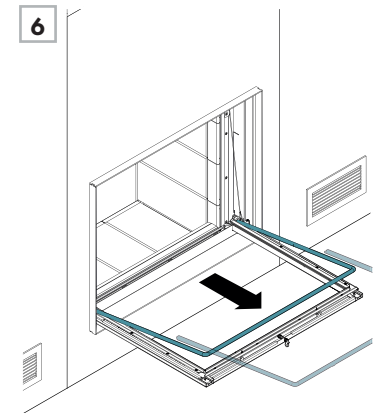
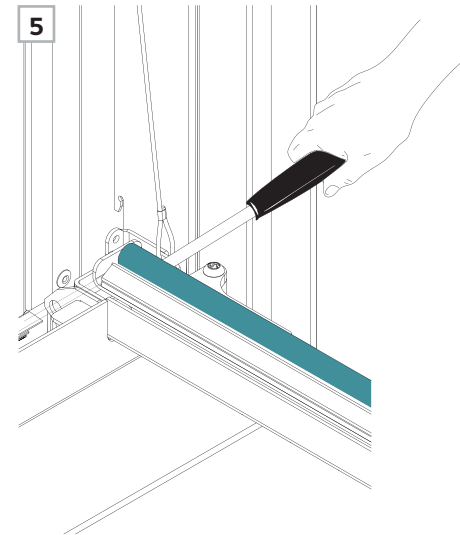
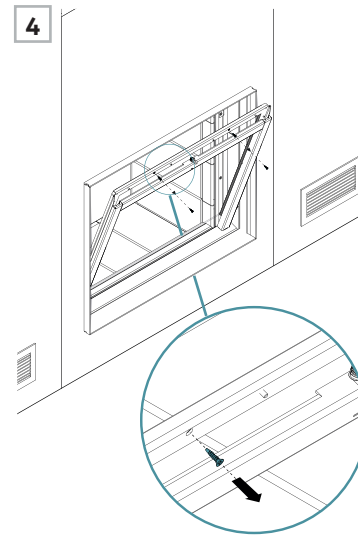


## DOOR SEAL

**Step 4** Tilt the door 20° up, lightly slide up approx 2". Remove the two small Philips head screws from the frame holding the seal located at the center of the glass frame.

**Step 5** Using a flathead screwdriver pry the hooks on the bottom of the seal to release the rest of the seal/metal rod at the bottom of the glass on the frame. You will be able to lift the seal and rod out from those hooks.

**Step 6** Going from front to back remove the seal from the frame, starting from the extremities slide it off the underwire.



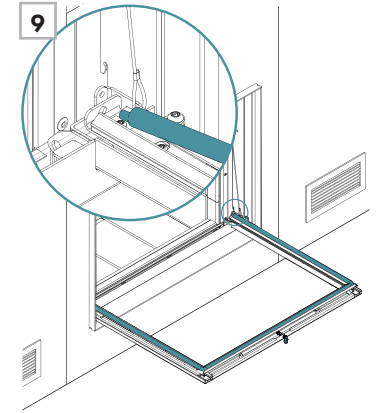
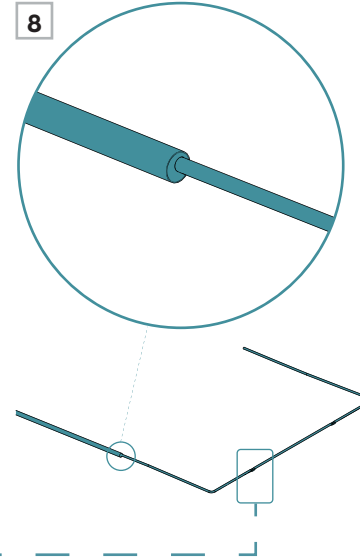
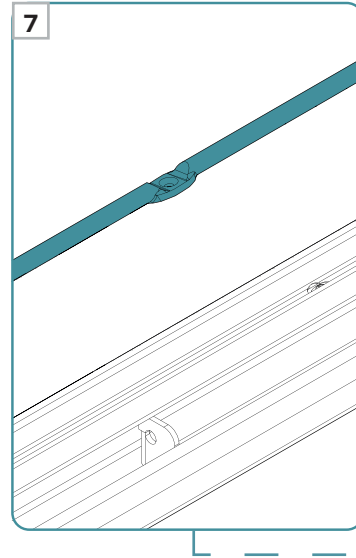
## 7.5 COMPONENTS REPLACEMENT



**Step 7** Find the side of the frame that has 2 perforated flat sections, these need to be facing up towards the philips screw ports

**Step 8** Slide the new seal onto the underwire make sure they are of equal length on both sides, leaving more clearance on the horizontal part.

**Step 9** Insert the 2 frame extremities into the 2 orifices at the bottom of the door making sure the flat sections are facing up, insert the seal into the groove of the door.

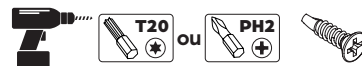
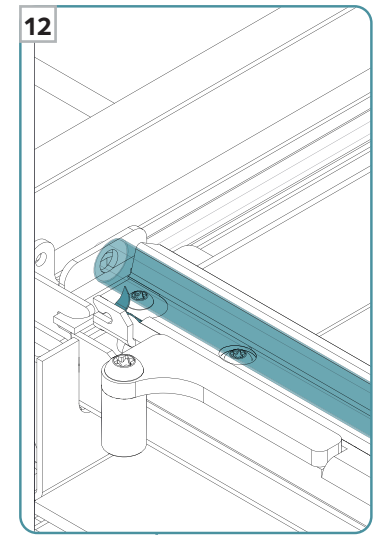
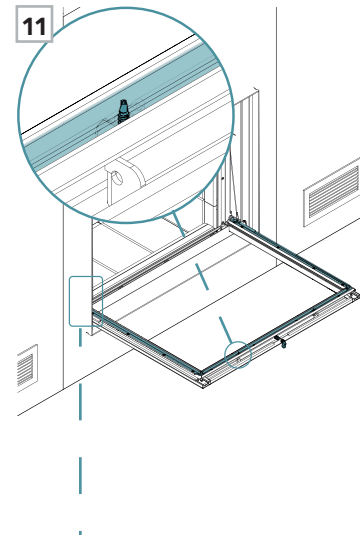
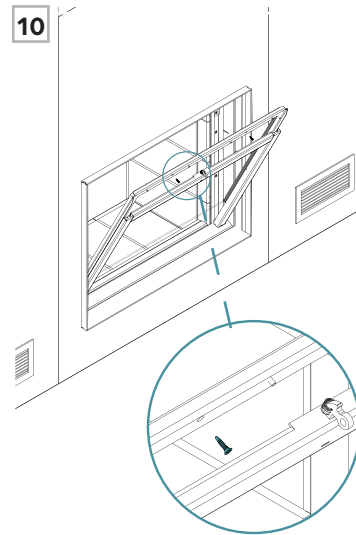


**Step 10** Slightly lift the door (45°) and slide up the glass 4" secure the frame by piercing the seal with the screw, do not tighten too much so the seal doesn't lift at all angles. Hand tighten is perfect.

**Step 11** Make sure the screws went through the frame orifice by lightly squeezing the seal.

**Step 12** Adjust the seal by stretching the extremities to the edge of the glass. Fold the pointed flap onto the seal by using a flathead screwdriver. Make sure the point enters well into the seal.

**Proceed to reassemble (explained at the end of the chapter)**



## 7.5 COMPONENTS REPLACEMENT



### GLASS AND SLIDES

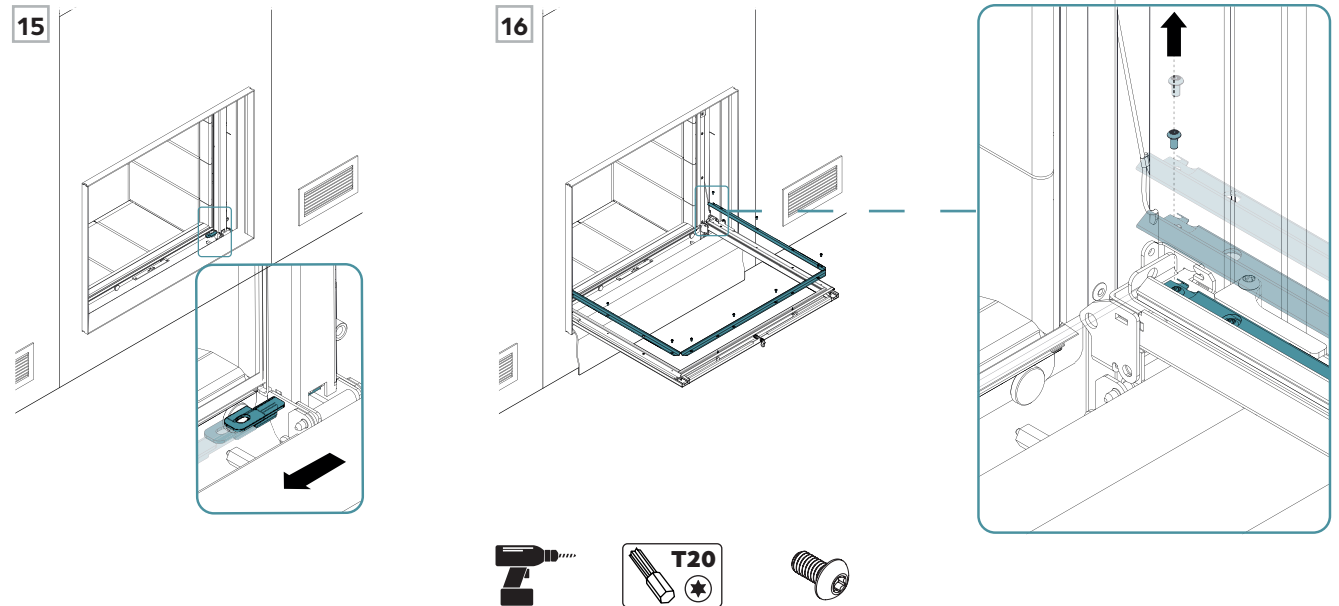
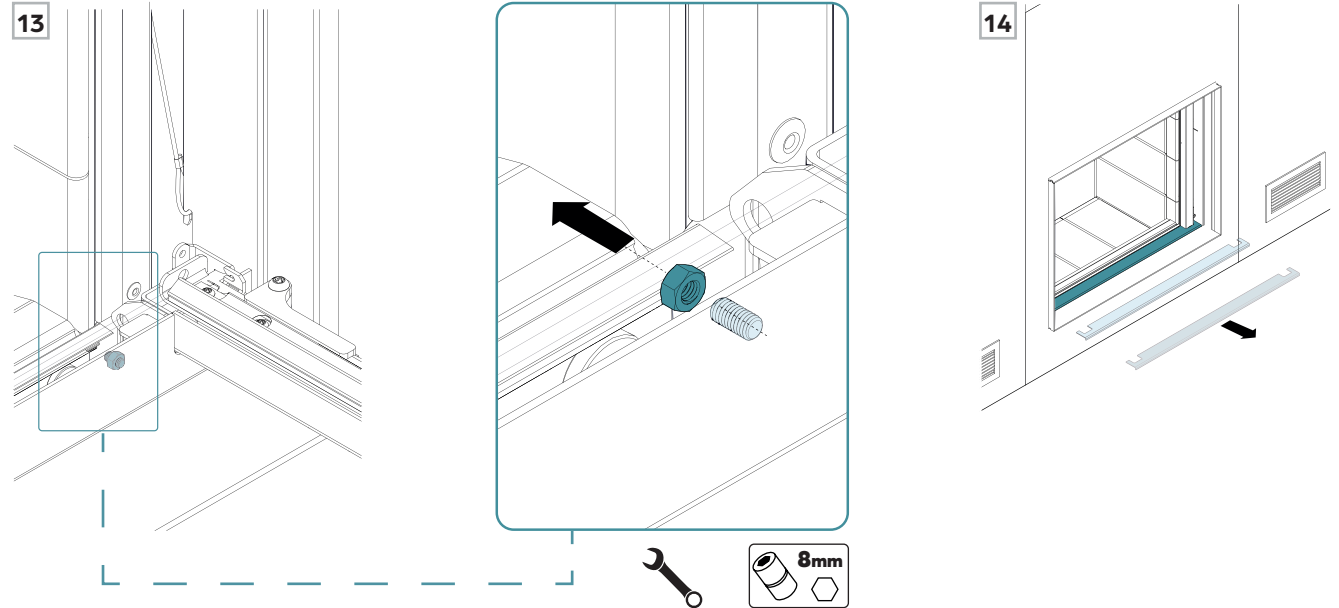
After disassembly, follow these steps:

**Step 13** Using an 8 mm open-end wrench, unscrew the damper cover.

**Step 14** Close the door and remove the damper panel cover.

**Step 15** Using the fireplace handle remove the keys freeing the innersprings. Put them on the left and right side.

**Step 16** Unscrew and remove the glass pane.



# 7.5 COMPONENTS REPLACEMENT



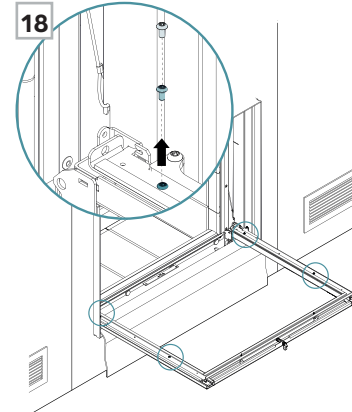
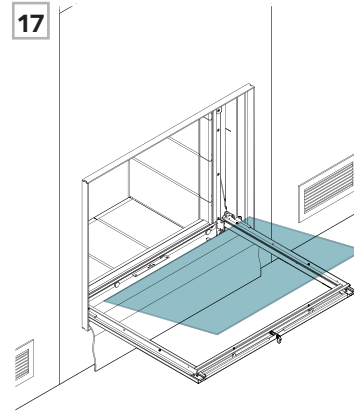
**Step 17** Remove the (damaged) glass.

**Stûv recommends the use of original replacement parts.**

The glass must be made of 4 mm ceramic and be able to withstand high temperatures.

MODÈLE	DIMENSIONS
21-85	554 mm x 692 mm
21-95	634 mm x 790 mm
21-105	419 mm x 892 mm
21-125	554 mm x 1090 mm

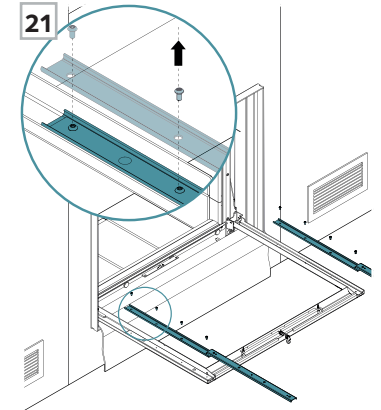
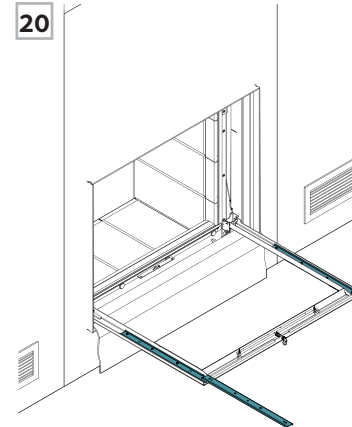
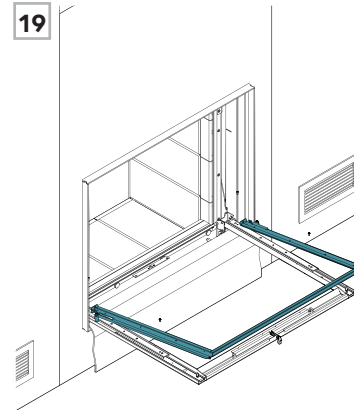
**Step 18** Using a Torx 20 bit remove 2 screws from each side.



**Step 19** Remove the sliding door.

**Step 20** Move the center rail of the slide to access the four screws, then unscrew.

**Step 21** Remove the (damaged) slide.







## REASSEMBLY

To reassemble, proceed in reverse order. Centre the spacer.

**Step 22** Screw the slide back in place using the 2 screws on each side of the sliding door frame. Make sure all seven holes are facing upwards (they must be visible).

**Step 23** Place the glass. Verify that the Stüv logo is vertical in the bottom right hand corner.

**Step 24** Replace the glass pane

**Step 25** Attach the counterweight cables to the glass door.

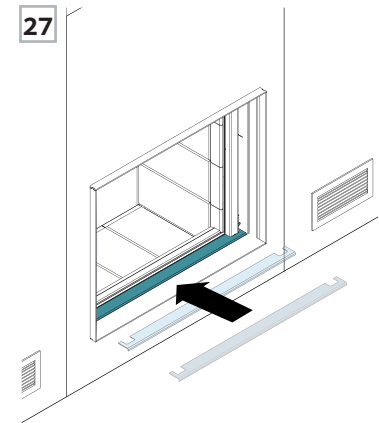
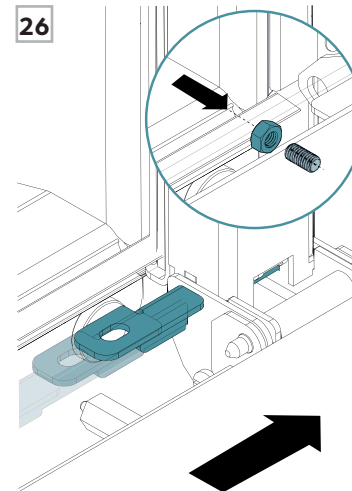
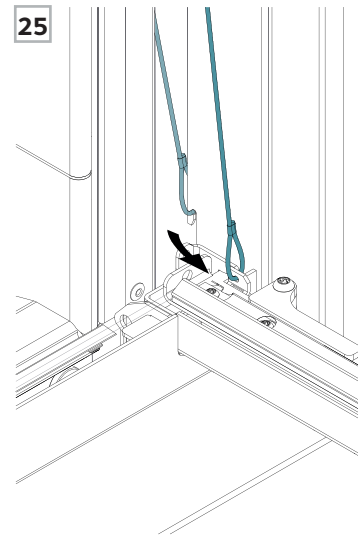
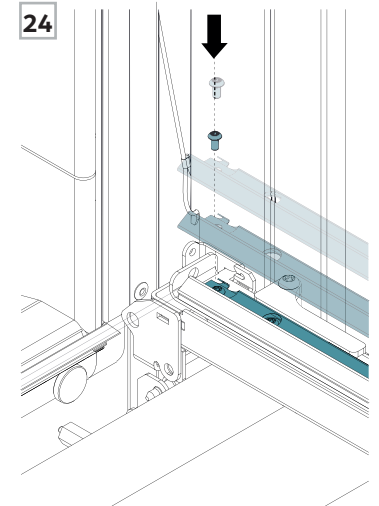
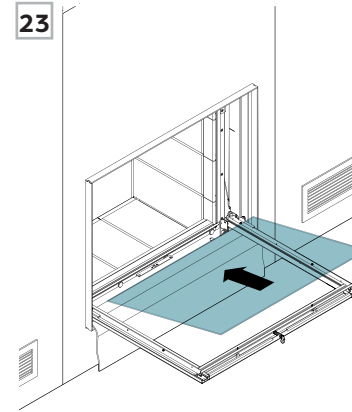
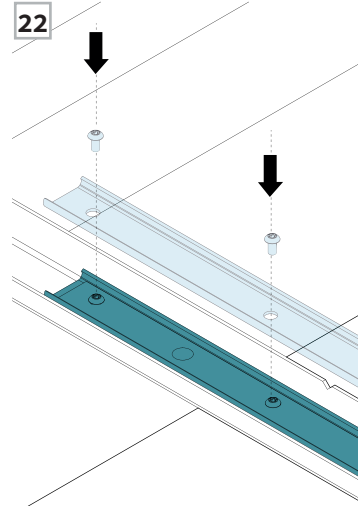


### CAUTION

Careful not to let these cables go when reattaching.

**Step 26** Close the door and put back the innersprings, put back the nut.

**Step 27** Put back the damper cover panel.



# 8

## WARRANTY

8.1	WARRANTY DETAILS .....	66
8.2	WARRANTY FORM .....	67



# 7.1 WARRANTY DETAILS



## WARRANTY COVERAGE

Stûv appliances are guaranteed against:

- manufacturing defects
- paint defects on the visible parts of the unit
- glass breakage, but only if it occurs during the first firing
- shipping-related damage if we are notified within 48 hours of delivery and the damage is noted on the carrier's bill of lading when the unit is received (website)

This warranty does not cover damage to the appliance or malfunctions due to:

- installation that does not comply with the applicable regulations or the installation instructions
- abnormal use that does not comply with the directions for use
- lack of maintenance
- an external cause, such as a flood, lightning strike, fire, etc.

The warranty is limited to replacing the parts deemed defective and does not include labour or damages.

## WARRANTY TERMS

This document must be returned to us, duly completed, within one month of the date of the dealer's invoice to the buyer.

Duration of the warranty:

- 5 years on the body of the appliance
- 1 year on refractory materials, gaskets, door mechanism, hinges and latches.

The warranty period begins on the date of the dealer's invoice to the buyer. The replacement of parts under warranty does not extend the duration of the initial warranty.

When an item is defective, it is important to quickly notify an authorized Stûv dealer. They will contact Stûv America to fill out the warranty form. They will need:

- the unit's serial number
- the date the unit was purchased
- an explanation of the defective item
- photos of the defective item

With this information, Stûv America will be able to validate whether the part is covered by the warranty and judge the relevance of changing it. The dealer will also be in charge of installing the new part.

## CERTIFICATE OF WARRANTY

This Stûv appliance has been designed to offer you maximum pleasure, comfort and safety. It has been manufactured with the utmost care using quality materials and components to provide years of trouble-free operation.

Should you notice a defect in spite of this care, we commit to rectifying the situation. However, as a user, you also have an important role to play in getting the satisfaction you expect from your Stûv.

### We strongly recommend:

- having the unit installed by a qualified professional who can ensure that the installation of the appliance and the integrity of the chimney are in compliance with the certifications and the building code,
- carefully reading the operating and maintenance instructions,
- having the chimney swept regularly (once per heating season, for regular use) to ensure optimal operation and maximum safety.

## 7.2 WARRANTY FORM



### THE APPLIANCE

Serial no.: \_\_\_\_\_

Model: \_\_\_\_\_

Invoice date: \_\_\_\_\_

Installation date: \_\_\_\_\_

\*The serial number can be found on the marking label at the bottom of the combustion chamber. The location of the label is indicated on the first page of the *CERTIFICATION* section..

### THE INSTALLER

I, the undersigned,  
declare that the above-mentioned appliance has been installed in compliance with the existing regulations and in accordance with the technical recommendations in the installation instructions.

Date: \_\_\_\_\_

Signature: \_\_\_\_\_

Company: \_\_\_\_\_

Name: \_\_\_\_\_

Address: \_\_\_\_\_

Tel no.: \_\_\_\_\_

### THE DEALER

Company: \_\_\_\_\_

Name: \_\_\_\_\_

Address: \_\_\_\_\_

Tel no.: \_\_\_\_\_

### THE BUYER

Name: \_\_\_\_\_

Address: \_\_\_\_\_

Email: \_\_\_\_\_

Tel no.: \_\_\_\_\_

Installation address (if different): \_\_\_\_\_

### PLEASE FILL OUT THIS FORM AND SEND IT TO US VIA:

Our website: **stuvamerica.com**  
On the Warranty and Product Registration page

**Stûv America Inc.**  
34, Boulevard de l'Aéroport  
Bromont Québec J2L 1S6 Canada

Email: **info@stuvamerica.com**  
Tel.: +1-866-487-7888  
Fax: +1-514-528-9538









---

Stûv fireplaces are designed and  
manufactured by:

Stûv sa – Belgique  
[stuv.com](http://stuv.com)

Rue Jules Borbouse n°4 B-5170  
Bois-de-Villers

---

And distributed in North America by:

Stûv America inc. – Canada  
[stuvamerica.com](http://stuvamerica.com)

34, Boulevard de l'Aéroport  
Bromont Qc Canada J2L 1S6

1-514-396-3463 | 1-866-487-7888