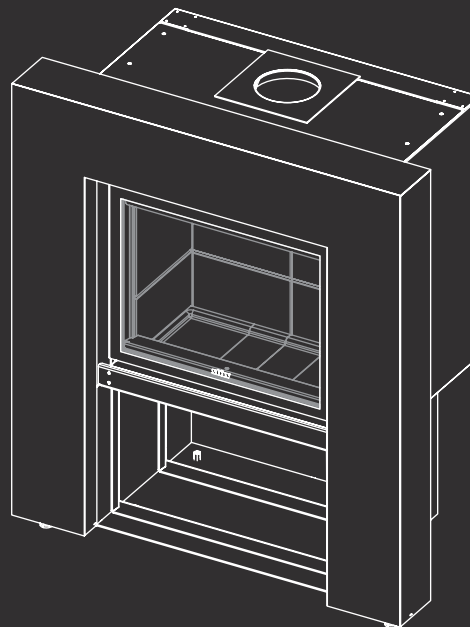


STÛV 16-COMBO

INSTALLATION MANUAL

Keep these instructions for future reference



REQUIRED TOOLS



Impact drill



Measuring tape



Crowbar



Level



5 mm
hex bit

REQUIRED MATERIAL



Wall and floor
finishing



Metal
framing



Stûv handle

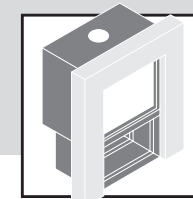


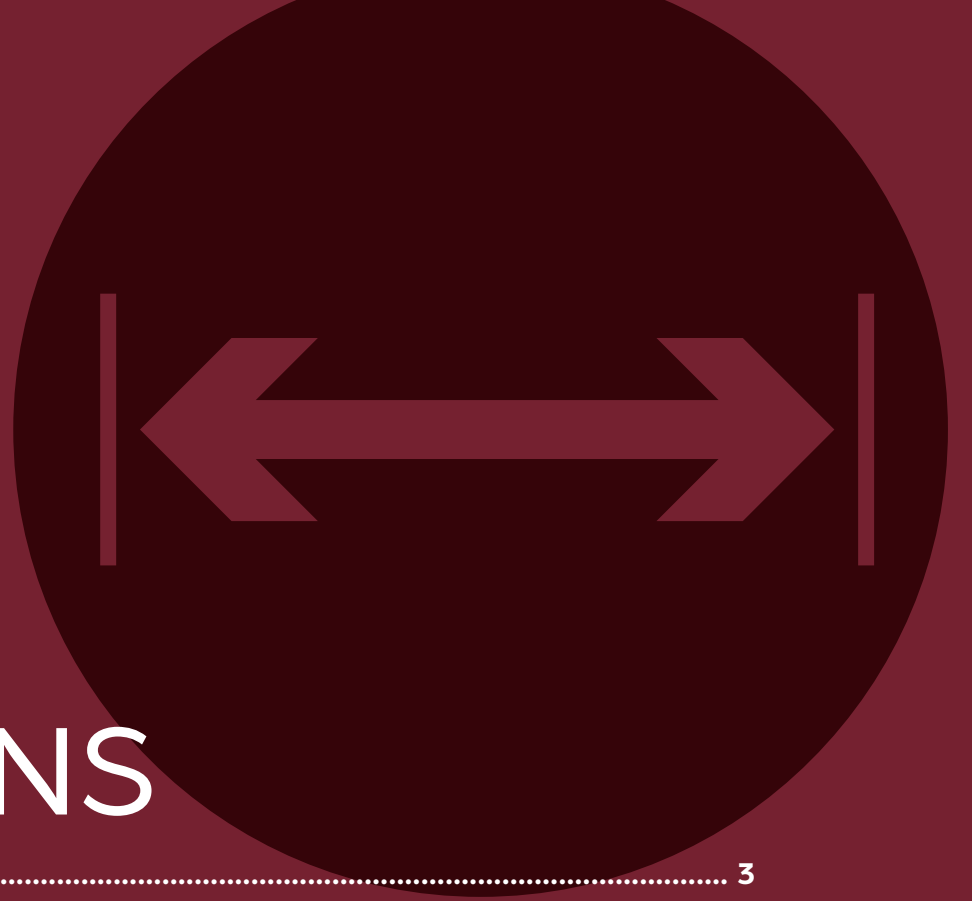
Wood screw #8



IMPORTANT

This document is an additional manual to the **Stûv 16-Z** installation manual. For a successful installation, it is important to follow these instructions carefully. Look for this symbol in the **Stûv 16-Z** installation manual to know when to refer to this manual.





1

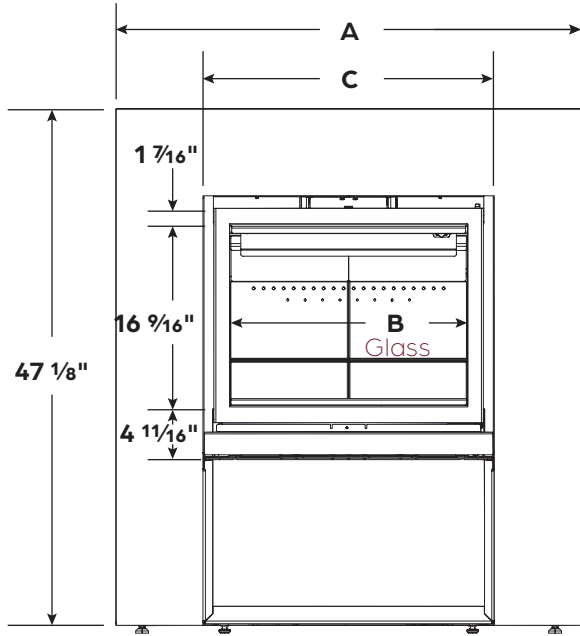
DIMENSIONS

| | | |
|-----|------------------------------------|---|
| 1.1 | STÛV 16-COMBO DIMENSIONS | 3 |
| 1.2 | LIST OF COMPONENTS | 4 |
| 1.3 | FRAMING AND FLOOR PROTECTION | 5 |
| 1.4 | WALL FINISHING | 6 |

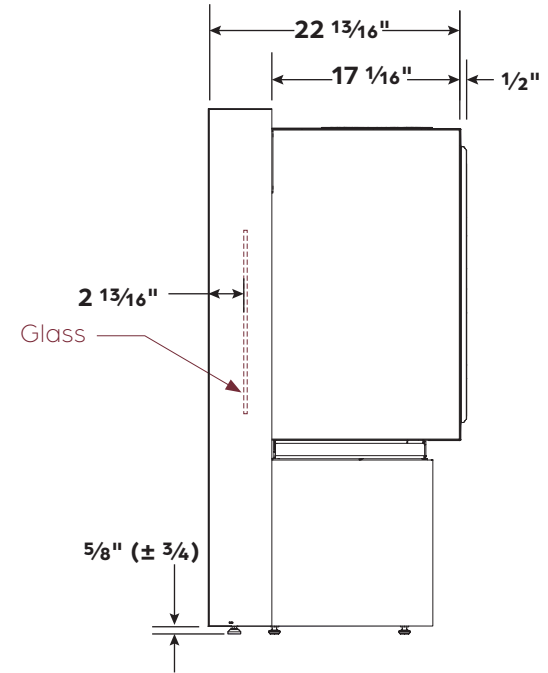
1.1 STÛV 16-COMBO DIMENSIONS



FRONT VIEW

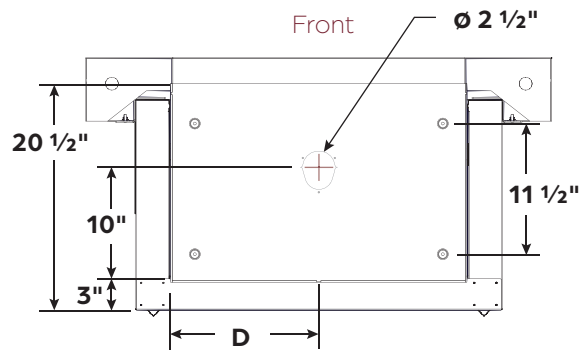


SIDE VIEW

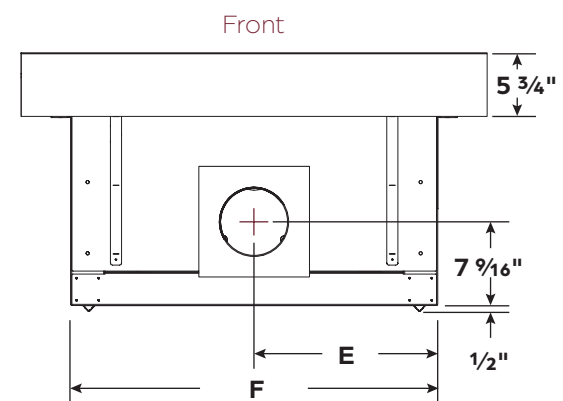


| 16-COMBO | A | B | C |
|----------|-----------------------------------|----------------------------------|-----------------------------------|
| 16-58 | 38 ³ / ₁₆ " | 17 ⁵ / ₈ " | 22 ⁷ / ₁₆ " |
| 16-68 | 42 ¹ / ₈ " | 21 ⁵ / ₈ " | 26 ³ / ₈ " |
| 16-78 | 46 ¹ / ₈ " | 25 ¹ / ₂ " | 30 ³ / ₈ " |

BOTTOM VIEW



TOP VIEW



| 16-COMBO | D | E | F |
|----------|-----------------------------------|-----------------------------------|-----------------------------------|
| 16-58 | 11 ⁷ / ₁₆ " | 14 ⁵ / ₈ " | 29 ¹ / ₄ " |
| 16-68 | 13 ³ / ₈ " | 16 ⁹ / ₁₆ " | 33 ³ / ₁₆ " |
| 16-78 | 15 ³ / ₈ " | 18 ⁹ / ₁₆ " | 37 ¹ / ₈ " |

1.2 LIST OF COMPONENTS



16-58 COMBO

FW1501600001

| # | DESCRIPTION | PRODUCT CODE | INCLUDED OR OPTION | Q ^{TY} |
|----|-------------------------------|--------------|--------------------|-----------------|
| 4 | Leveling feet | PW1499700009 | Included | 1 |
| 5 | H base | AW1301001400 | Included | 1 |
| 7 | Thin edge frame | AW1300411900 | Included | 1 |
| 11 | Combo front panel | AW1101600003 | Included | 1 |
| 12 | Leveling feet for front panel | PW1499700010 | Included | 2 |

16-68 COMBO

FW1501600002

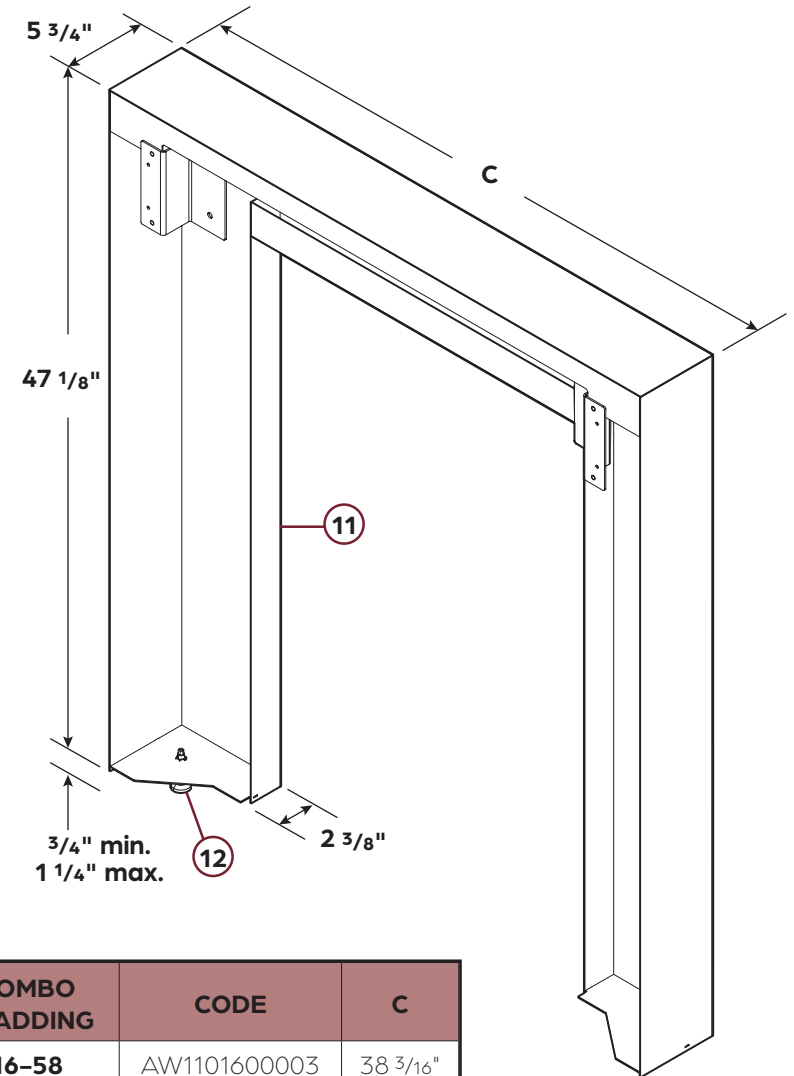
| # | DESCRIPTION | PRODUCT CODE | INCLUDED OR OPTION | Q ^{TY} |
|----|-------------------------------|--------------|--------------------|-----------------|
| 4 | Leveling feet | PW1499700009 | Included | 1 |
| 5 | H base | AW1301001400 | Included | 1 |
| 7 | Thin edge frame | AW1300411900 | Included | 1 |
| 11 | Combo front panel | AW1101600002 | Included | 1 |
| 12 | Leveling feet for front panel | PW1499700010 | Included | 2 |

16-78 COMBO

FW1501600003

| # | DESCRIPTION | PRODUCT CODE | INCLUDED OR OPTION | Q ^{TY} |
|----|-------------------------------|--------------|--------------------|-----------------|
| 4 | Leveling feet | PW1499700009 | Included | 1 |
| 5 | H base | AW1301001400 | Included | 1 |
| 7 | Thin edge frame | AW1300411900 | Included | 1 |
| 11 | Combo front panel | AW1101600001 | Included | 1 |
| 12 | Leveling feet for front panel | PW1499700010 | Included | 2 |

COMBO CLADDING

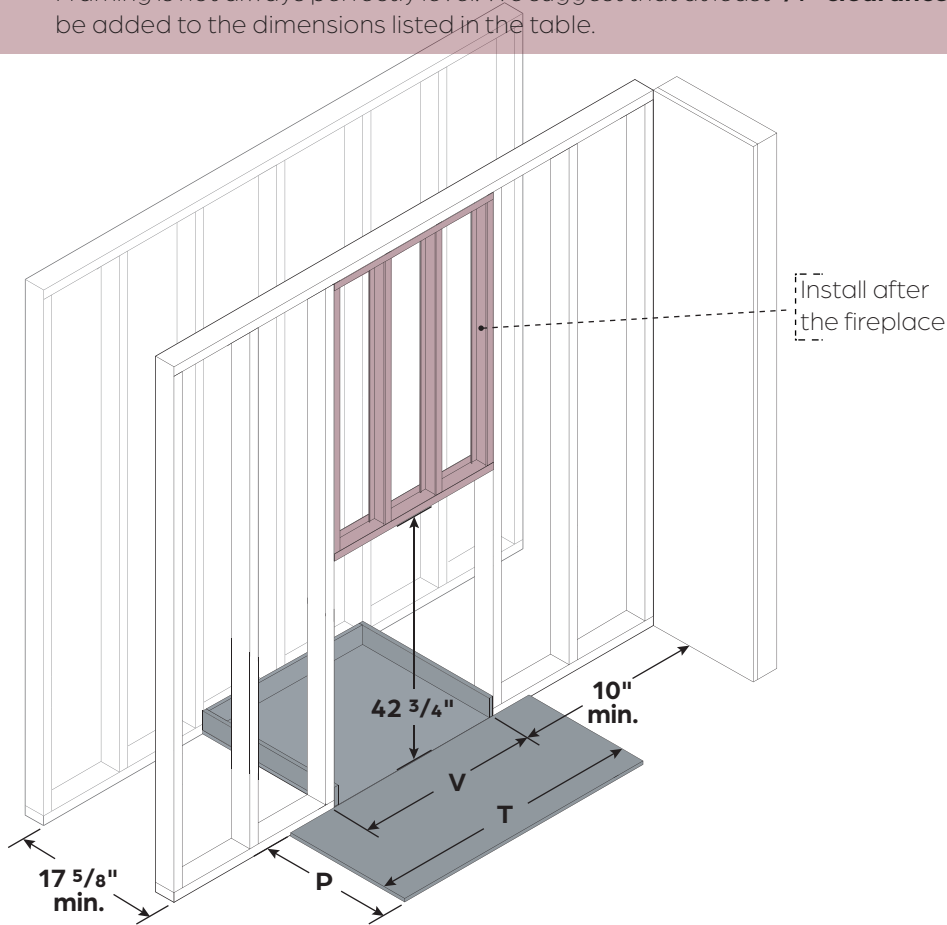





| COMBO CLADDING | CODE | C |
|----------------|--------------|----------|
| 16-58 | AW1101600003 | 38 3/16" |
| 16-68 | AW1101600002 | 42 1/8" |
| 16-78 | AW1101600001 | 46 1/8" |

1.3 FRAMING AND FLOOR PROTECTION



NOTE
Framing is not always perfectly level. We suggest that at least **1/4" clearance** be added to the dimensions listed in the table.



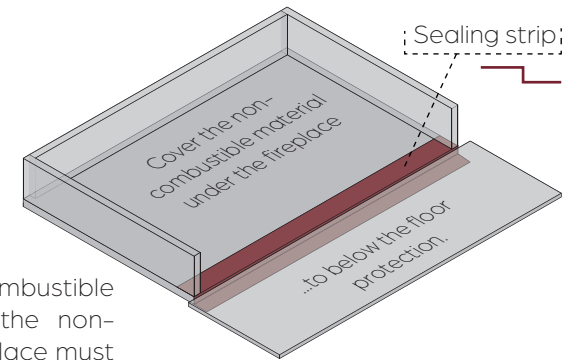
-  metal framing
-  combustible
-  non combustible **mandatory**

| MODEL | P | T | V |
|-------|---------------------------|---------|----------|
| 16-58 | Canada : 21" USA : 19" | 33 5/8" | 29 3/16" |
| 16-68 | | 37 5/8" | 33 3/16" |
| 16-78 | | 41 1/2" | 37 1/8" |

UNDER THE FIREPLACE

All components added between the H base and the external dimensions of the insulated shell (**V**) must be made of a **non-combustible material**.

It is mandatory to extend the floor protection (non-combustible material) under the H base. It is also mandatory to protect the wall structure by adding non-combustible material vertically on the sides and in the back.



The junction between the non-combustible material under the H base and the non-combustible floor in front of the fireplace must be sealed to prevent embers from entering the wall or reaching the subfloor.

— The red line on the illustration shows where to place the sealing strip.

IN FRONT OF THE FIREPLACE

To be compliant with the building code, floor protection is mandatory. The floor area in front of the appliance must be protected by a **non-combustible material**. The H base raises the fireplace enough that the R value does not need to be taken into account.

This protection must extend the entire width of the glass plus 8" on each side, **on a projection of 16" or 18" in relation to the glass**, according to the standards applicable in the country concerned.

The 16-combo is installed in front of the wall, which requires a greater protection slab. The projection (**P**) is calculated from the wall finishing, meaning the back of the front panel.

STRUCTURE'S LOAD-BEARING CAPACITY

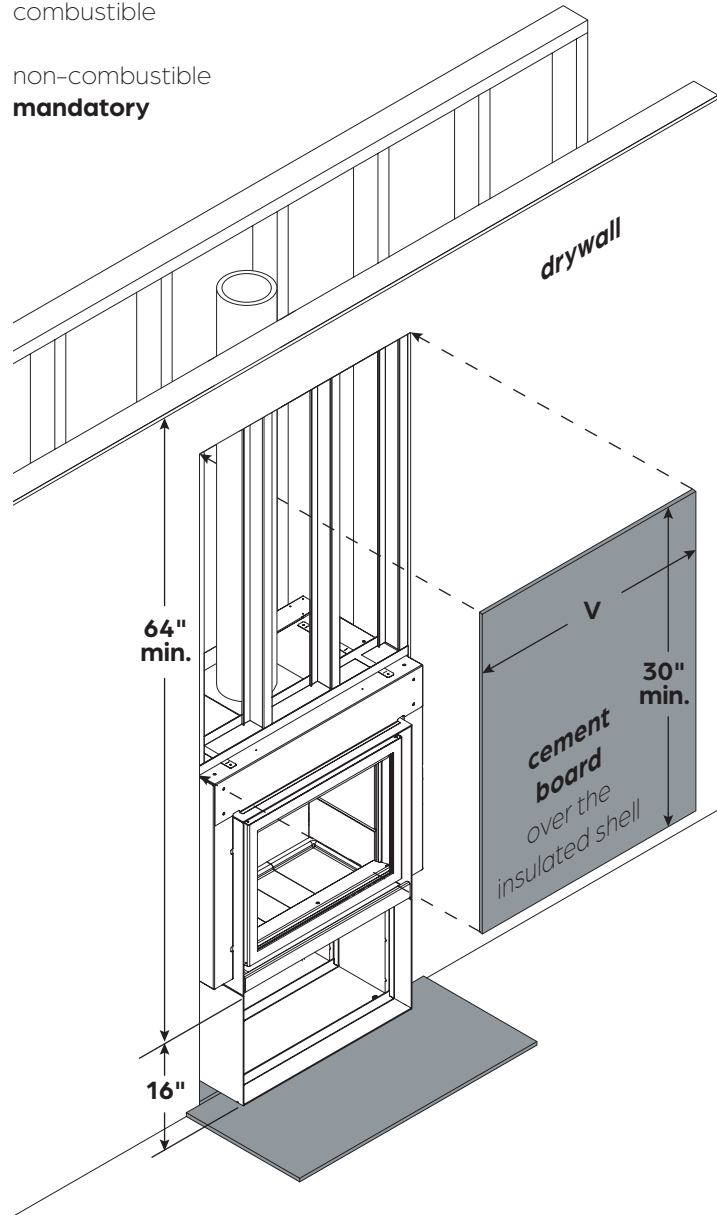
It is vital to ensure that the combustible structure and the floor are strong enough to hold the weight of the fireplace and the weight of the chimney.

See the technical specifications (page 6) for the weight of the units. If in doubt, **consult a specialist**.

1.4 WALL FINISHING

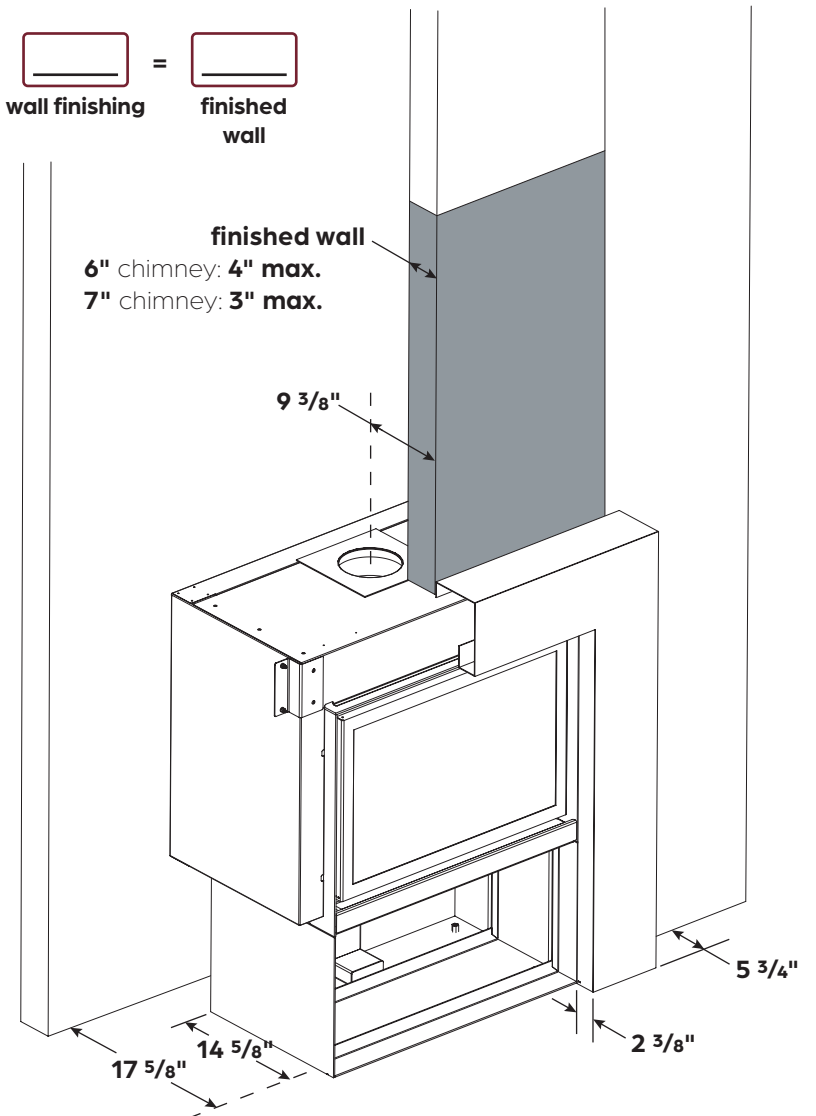


- combustible
- non-combustible
mandatory



Before installing, it is very important to know and calculate the thickness of the finished wall. All components affixed on the framework must be added together. The total must not exceed 3" or 4", according to the chimney's diameter.

$$\begin{array}{c} \boxed{1/2"} \\ \text{cement} \\ \text{board} \end{array} + \begin{array}{c} \boxed{\quad} \\ \text{wall finishing} \end{array} = \begin{array}{c} \boxed{\quad} \\ \text{finished} \\ \text{wall} \end{array}$$



2

INSTALLATION

| | | |
|-----|----------------------|----|
| 2.1 | UNPACKING | 8 |
| 2.2 | FRAMING | 9 |
| 2.3 | COMBO CLADDING | 10 |



2.1 UNPACKING



! IMPORTANT

The paint is not cured. It is therefore fairly **fragile**, but will harden after being heated a few times. Handle the unit with care.

Inspect the unit.

The warranty does not cover shipping-related damage unless it is reported within 48 hours of delivery.

Step 1 Remove the items from the pallet.

Step 2 Take the pallet apart with a crowbar, starting at the top and then opening the sides.

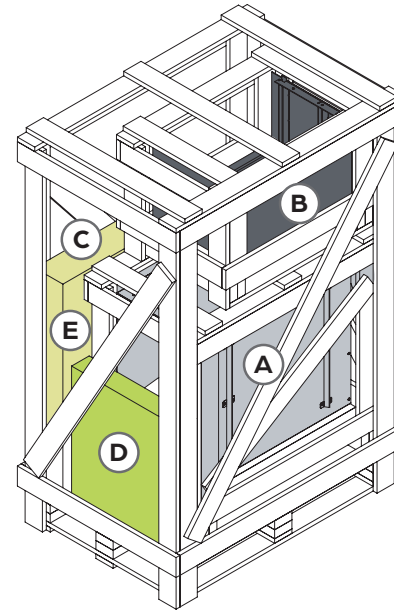
Step 3 Validate that all the accessories have been received and that the items in the complementary box are all included and in good condition.

Step 4 Remove the door.

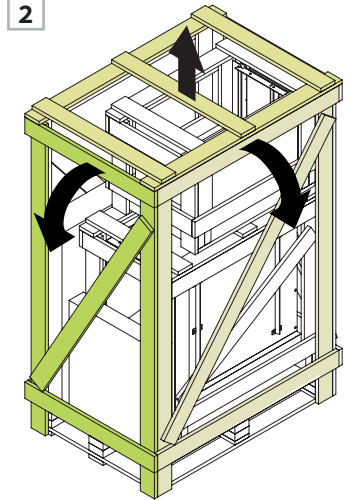
1 ITEMS ON PALLET

- A. 16-Z Fireplace
- B. H base
- C. Combo front panel
- D. Thin edge frame
- E. Accessory box*

* Inside the cladding box
Check the items in the box with the list below.



2

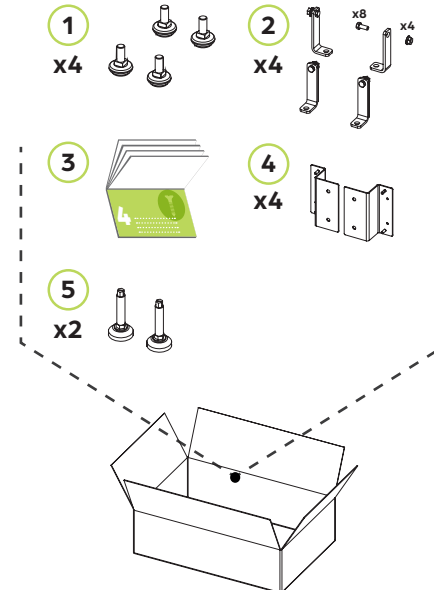


! CHECK

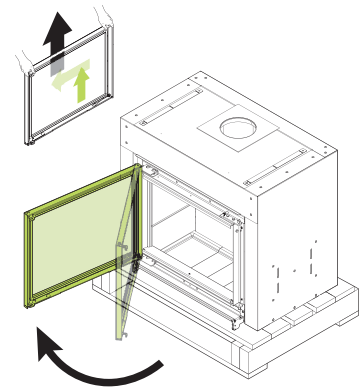
Check that the items are all included and in good condition.

3 CONTENT OF THE ACCESSORY BOX

1. **4x** Cube leveling feet
2. **4x** Cube connecting lug (with nuts and bolts)
3. 16-combo installation manual
4. Combo bracket support
5. **2x** Combo leveling feet



4





NOTE

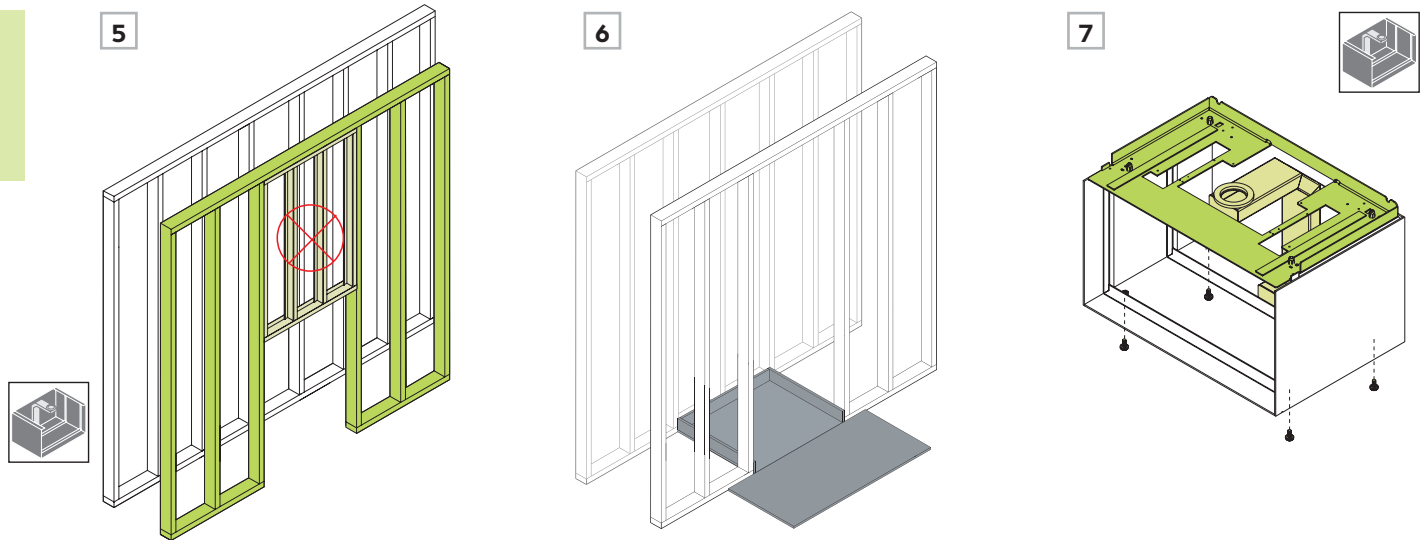
Structures are not always perfectly level. We suggest allowing **at least 1/4" of clearance.**

See the **DIMENSIONS** section to prepare the installation site.

Step 5 Install the frame without the metal structure above the fireplace.

Step 6 Install the non-combustible material under the fireplace.

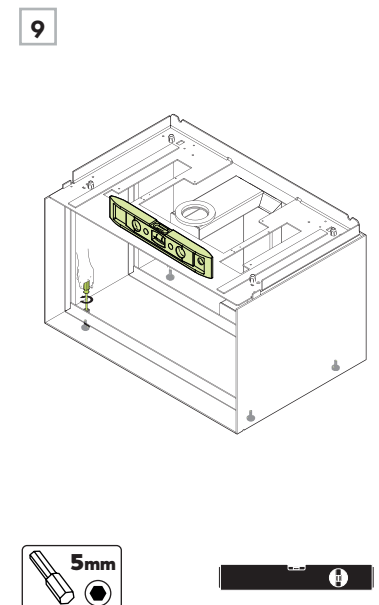
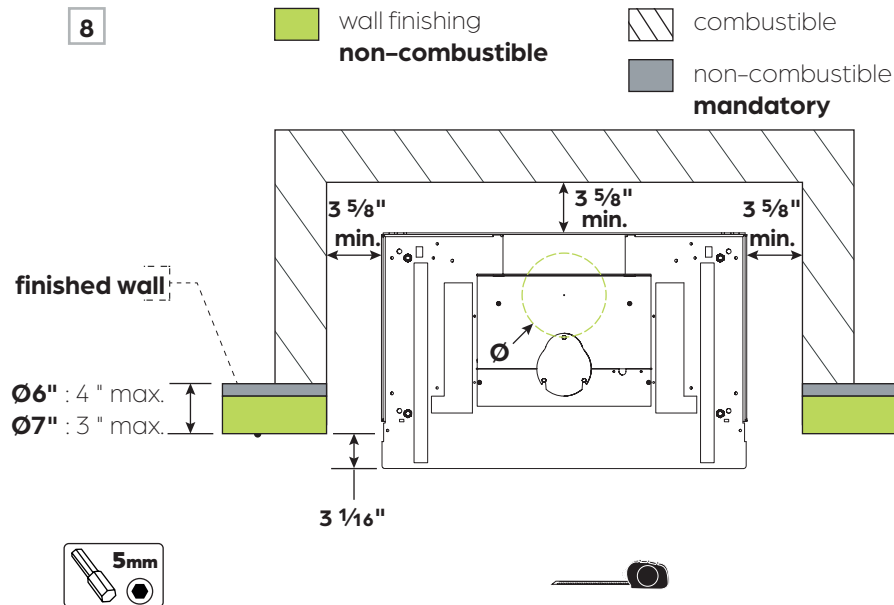
Step 7 Prepare the H base according to the installation manual: screw in the leveling feet, connect as needed and screw in the base plate.



Step 8 Calculate the thickness of the finished wall (cement board + wall finishing) to position the appliance correctly. See the **DIMENSIONS** section for details.

Position the H base and its base plate in the previously built framework, according to the measurements indicated on the image.

Step 9 Level the leveling feet on the H base.





NOTE

The next steps are shown without the wall to make it easier to see. These steps must be followed after positioning the base plate at its final location.

Step 10 Slide the unit onto the base plate previously installed at its final location.

*The carrying handle is hidden to show the details.

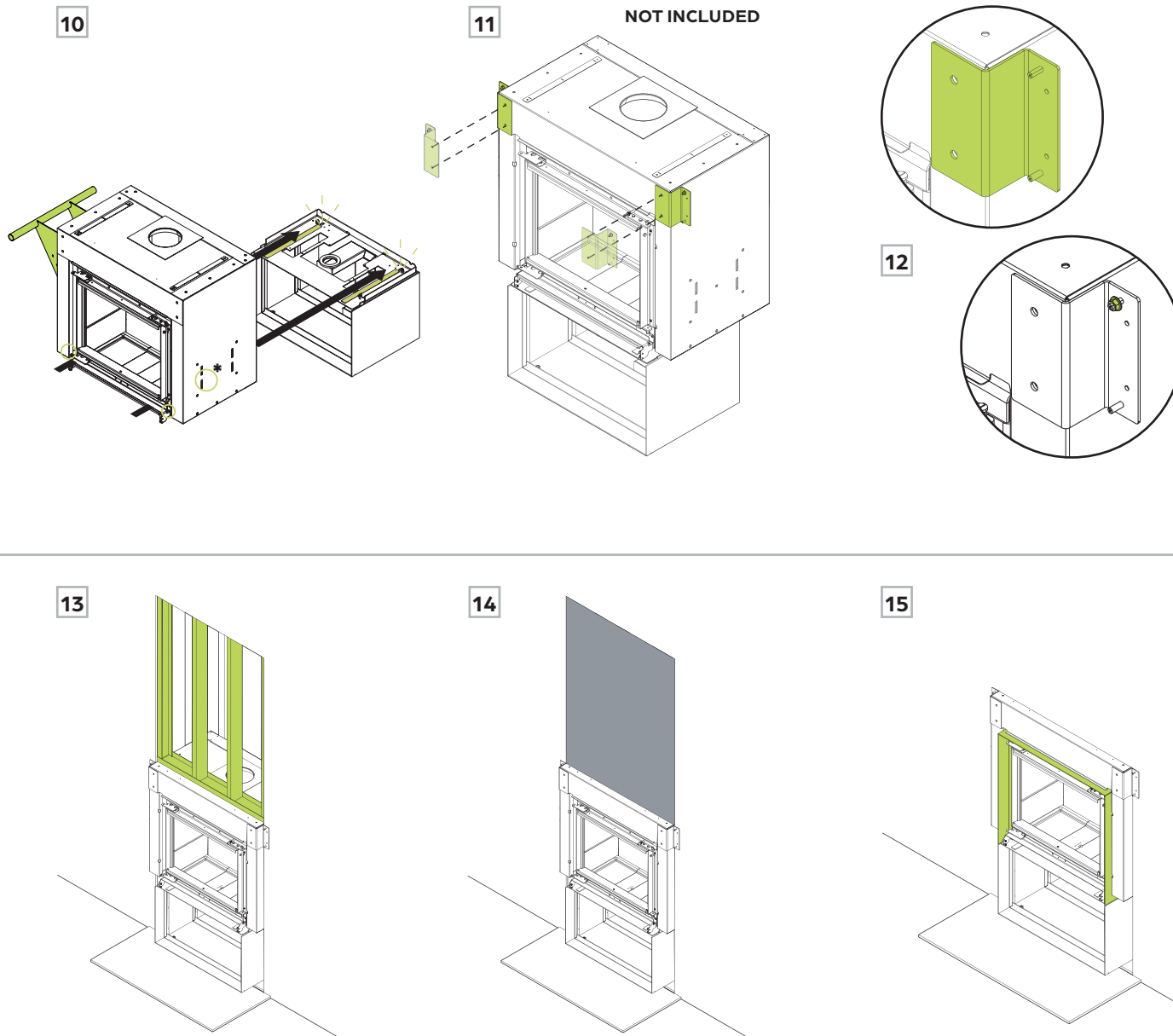
Step 11 Position the front panel's supports in the front and affix them to the top part of the shell (see image) with self-drilling screws (not included) to solidify the shell.

Step 12 Fasten the nuts onto the threaded rods. These may need to be adjusted to secure the front panel.

Step 13 Install the wall's metal structure over the fireplace. See the **DIMENSIONS** section for details.

Step 14 Install the cement board and wall finishing.

Step 15 Install the thin edge frame using the installation manual provided.



2.5 COMBO CLADDING

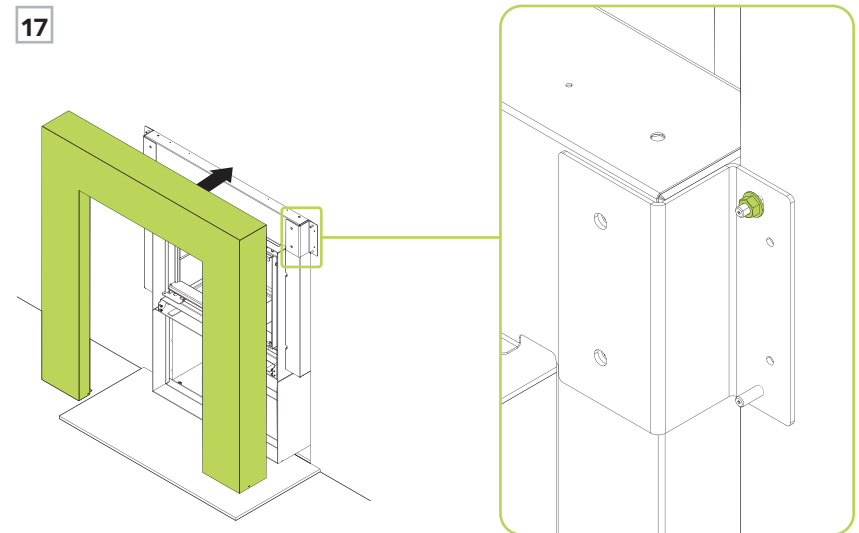
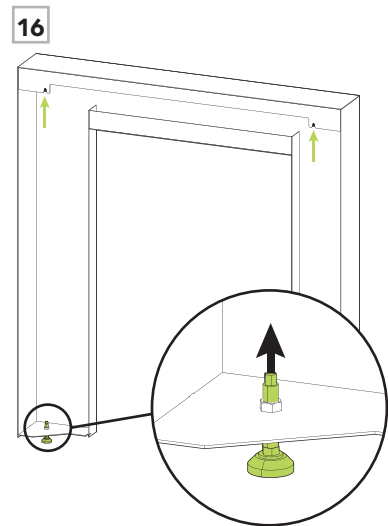


Step 16 Install the levelling feet on the front panel. Screw in completely.

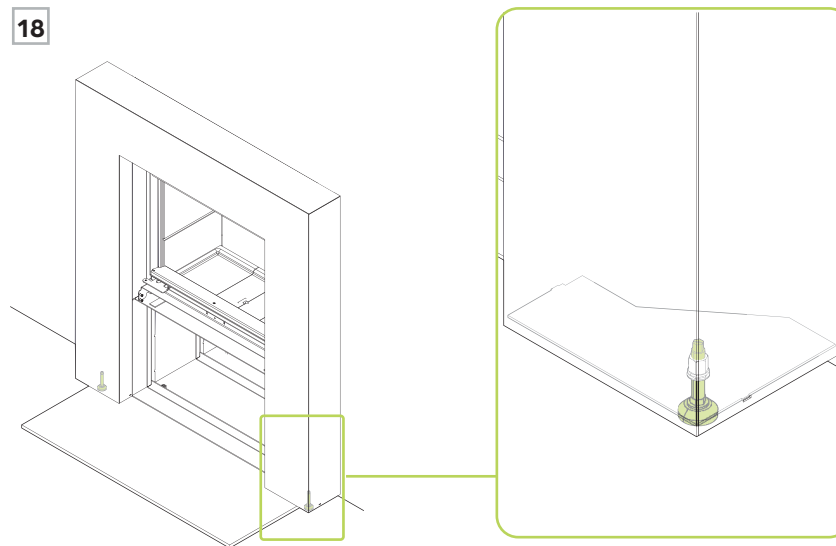
The green arrows on the image indicate the location of the notches from which to hang the front panel.

Step 17 Hang the front panel on the supports, positioning it at the back of the nuts.

To make sure the front panel is properly affixed according to the thickness of the finishing, adjust the nuts to the right depth.



Step 18 Loosen the levelling feet until they touch the floor.





Stûv fireplaces are designed by:

Stûv sa – Belgique
stuv.com

Rue Jules Borbouse n°4 B-5170
Bois-de-Villers

And manufactured in North America by:

Stûv America inc. – Canada
stuvamerica.com

34, Boulevard de l'Aéroport
Bromont QC Canada J2L 1S6

1-514-396-3463 | 1-866-487-7888