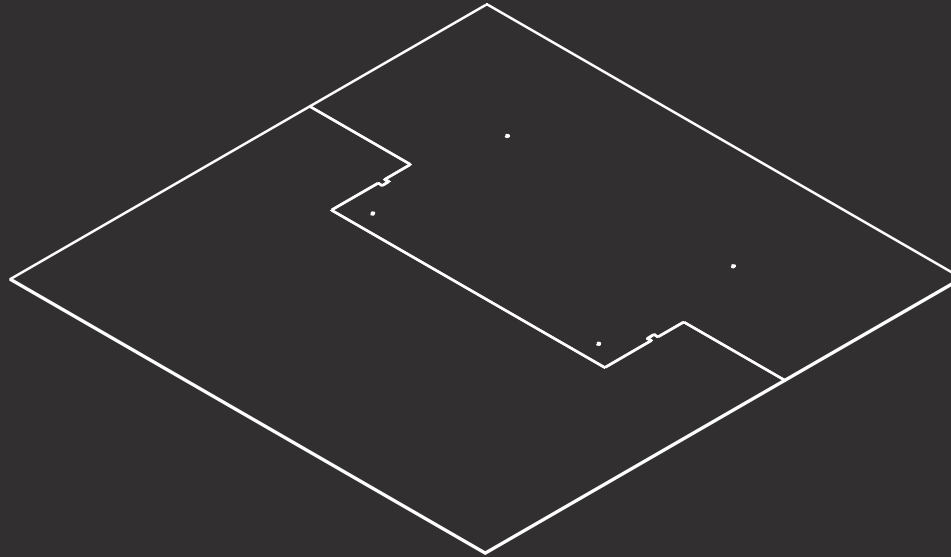


FLOOR PLATE s[16]

INSTALLATION MANUAL



REQUIRED MATERIALS



#8 wood screws



Drill driver



Standard silicone adhesive



Hammer



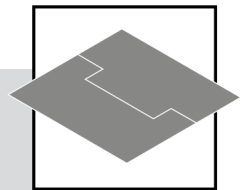
Cutting pliers



IMPORTANT

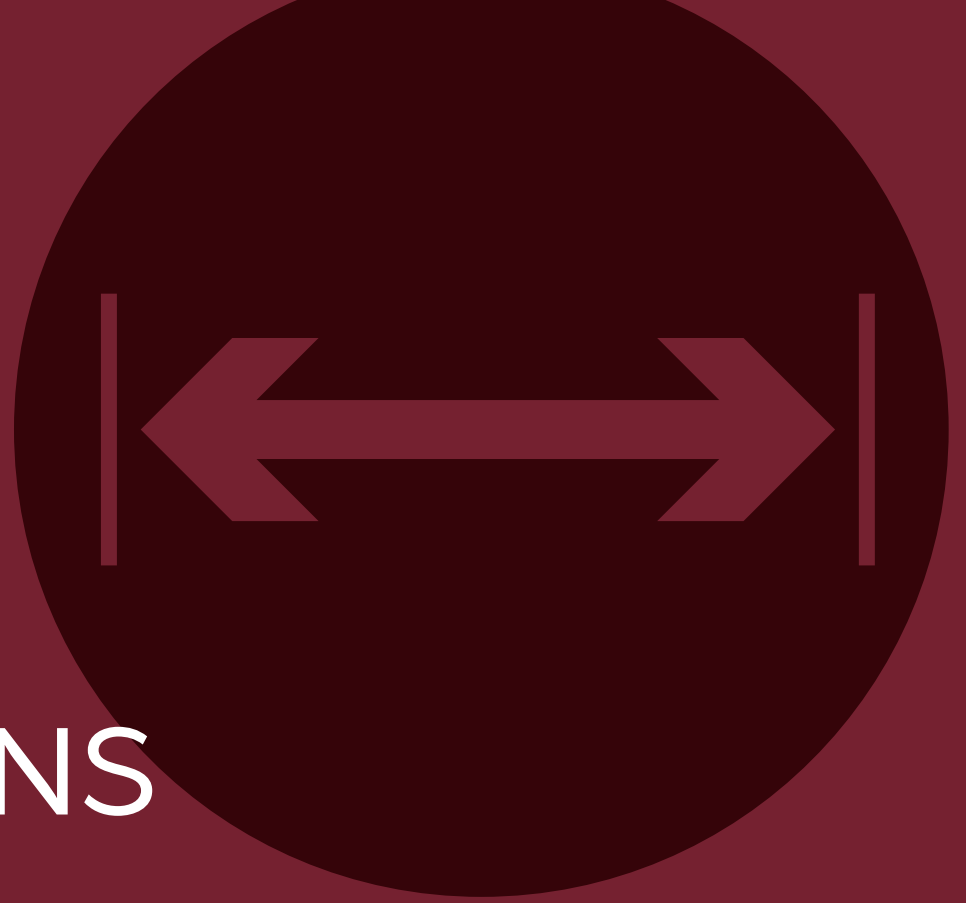
This manual is complementary to the s16 installation manual. Follow all the instructions in the s16 manual for successful installation.

This floor plate is not compatible with the V base.



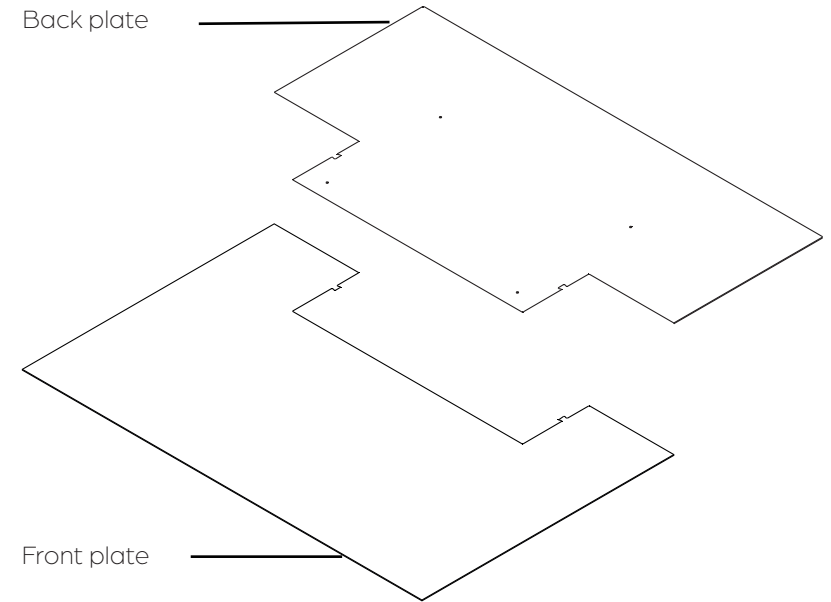
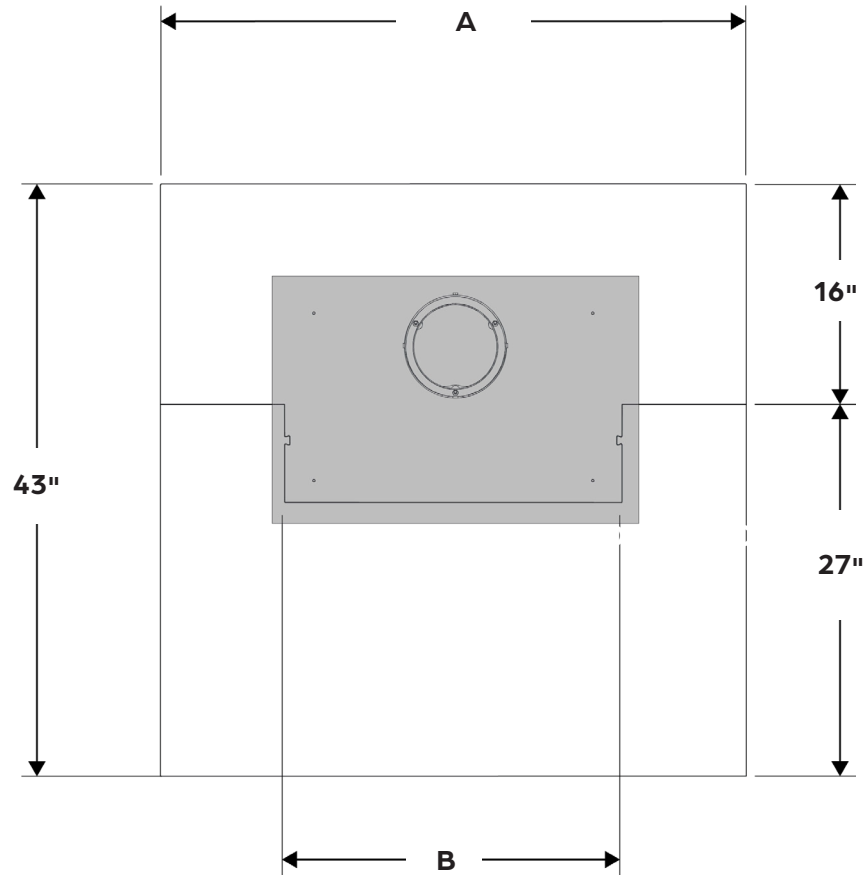
1

DIMENSIONS



1.1 DIMENSIONS

1.2 EXPLODED VIEW



MODEL	GREY	A	B
16-58	13090905	38 ¹³ / ₁₆ "	20 ¹¹ / ₁₆ "
16-68	13091005	42 ¹³ / ₁₆ "	24 ⁵ / ₈ "
16-78	13091105	46 ³ / ₄ "	28 ¹ / ₂ "

Thickness

14 gauge | 0.0747"

2

INSTALLATION



**IMPORTANT**

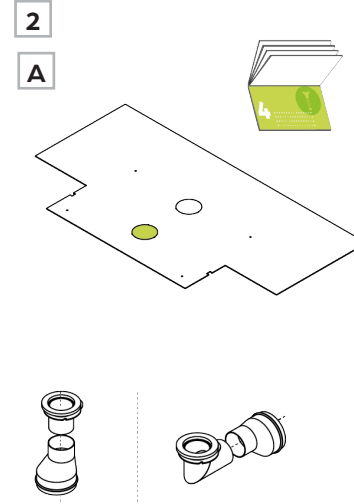
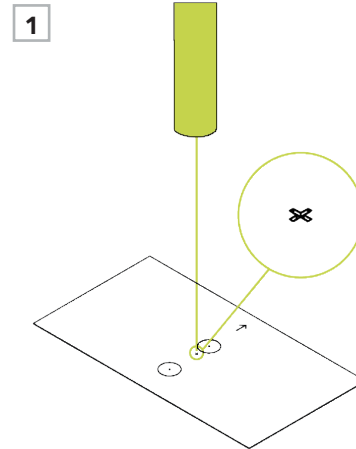
Do not throw away or rip the cardboard divider in the box, as it will be useful for step 1.

Step 1 Use the cardboard divider to position the back piece of the base plate.

The arrow indicates the back of the plate. The circles indicate the location of the available air intakes (see step 2 for how they correspond with the air intake holes).

Position the cross of the cardboard divider in line with the smoke outlet. If necessary, use a laser tool.

Mark this part's position on the ground and drill the corresponding holes.



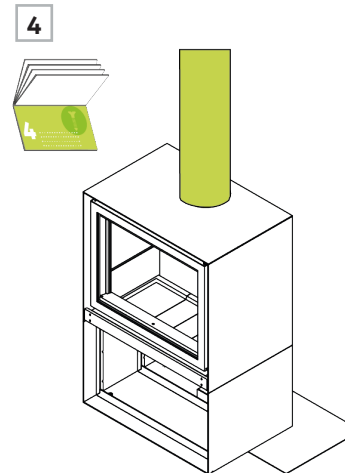
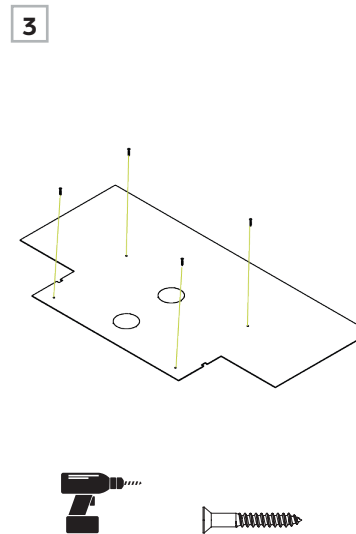
Step 2 Prepare the base plate **according to the chosen air intake:**

A For the s16-cube outside air intake connector, remove the front circle. To complete the installation of the air intake, refer to the s16-cube manual.

B For the H base connector, remove the back circle. To complete the installation of the air intake, refer to the H base manual.

Step 3 Position the back piece at the location marked in step 1 and affix the plate with #8 wood screws.

Step 4 Install the fireplace, referring to the s16-cube manual.



**CAUTION**

The plate is painted with electrostatic paint and can therefore not be touched up.

Remove any accessories (belt, ring, tools, etc.) that could scratch the paint when handling.

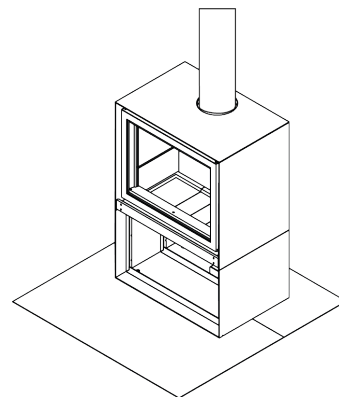
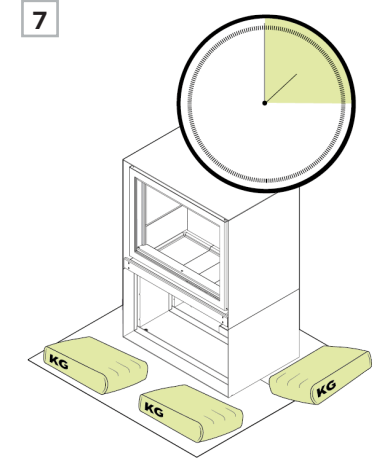
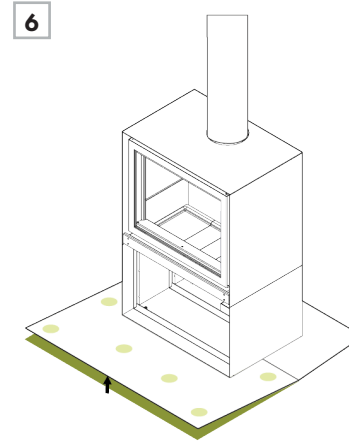
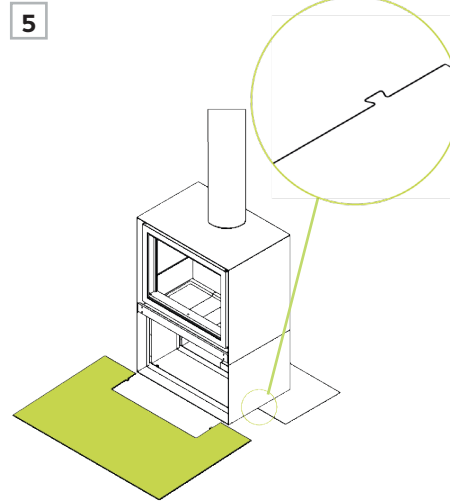
Step 5 When the fireplace has been installed and hooked up, position the front plate and fit the interlocking pieces together.

Take care not to damage the paint during the installation

This step can be carried out later, once the work is fully complete, to keep from scratching the front plate.

Step 6 Lift the front plate slightly to apply standard silicone adhesive. Apply in several spots, using moderation to prevent overflow. Reposition the plate, ensuring that the interlocking pieces are fitted together properly.

Step 7 To ensure the floor plate is flat, add weight on top of it. Do not touch until the drying time recommended in the silicone adhesive's instructions has elapsed.



This accessory is designed and manufactured in North America by:

Stûv America inc. – Canada
stuvamerica.com

34, Boulevard de l'Aéroport
Bromont QC Canada J2L 1S6

1-514-396-3463 | 1-866-487-7888

Stûv fireplaces are designed by:

Stûv sa – Belgique
stuv.com

Rue Jules Borbouse n°4 B-5170
Bois-de-Villers