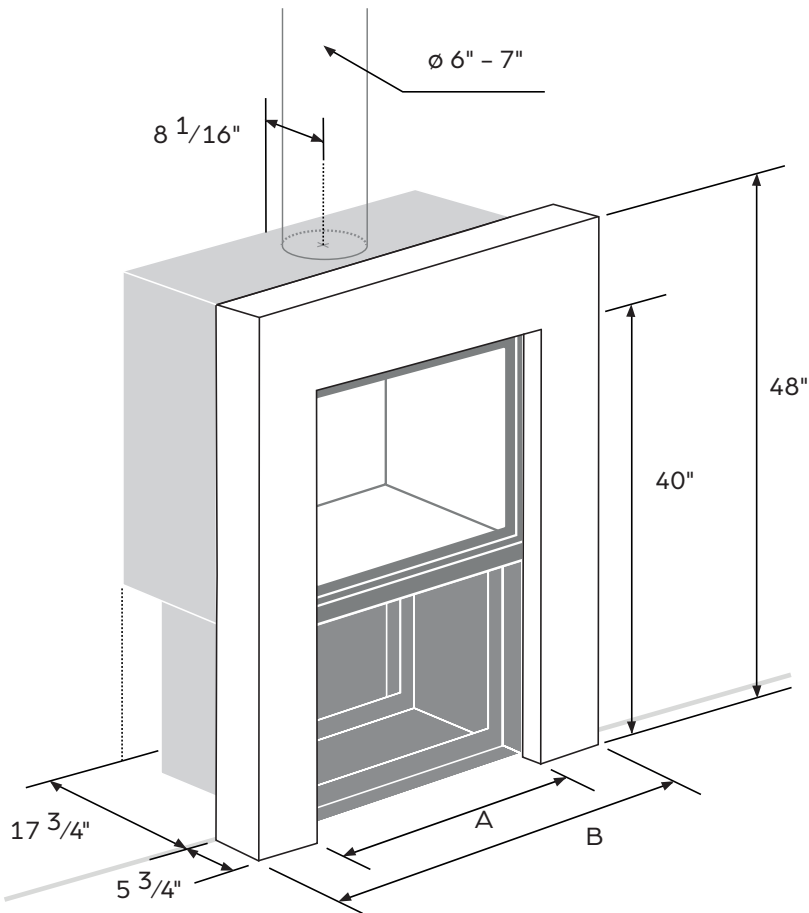


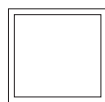
Stûv 16-combo

Technical sheet



ADVANTAGES

- High heating power
-
- Precise assembly
-
- Generates little ash
-
- Easy to use
-
- Can be connected to outside air
-
- Suitable for all types of interiors
-
- Priority of the view of the fire
-
- Environmental performance
-
- No more firewood recutting



Size	16-58	16-68	16-78
Width (A)	22 1/2"	26 3/8"	30 3/8"
Width (B)	38 1/4"	42 1/8"	46 1/8"
Maximum length of logs	17"	21"	25"
Efficiency (EPA)	70%	67%	67%
Particle emissions	1.47 g/h	1.94 g/h	3.1 g/h
Maximum power (EPA)*	27 015 BTU/h	24 818 BTU/h	28 765 BTU/h
Heating surface area	1 400 ft ²	1 650 ft ²	2 100 ft ²
Firebox size	1.6 ft ³	2 ft ³	2.2 ft ³
Glass width	17 5/8"	21 9/16"	25 1/2"
Glass height	16 9/16"	16 9/16"	16 9/16"
Outside air duct	ø 4"	ø 4"	ø 4"
Weight	378 lb	417 lb	452 lb

* For more information : cfpub.epa.gov/oarweb/woodstove