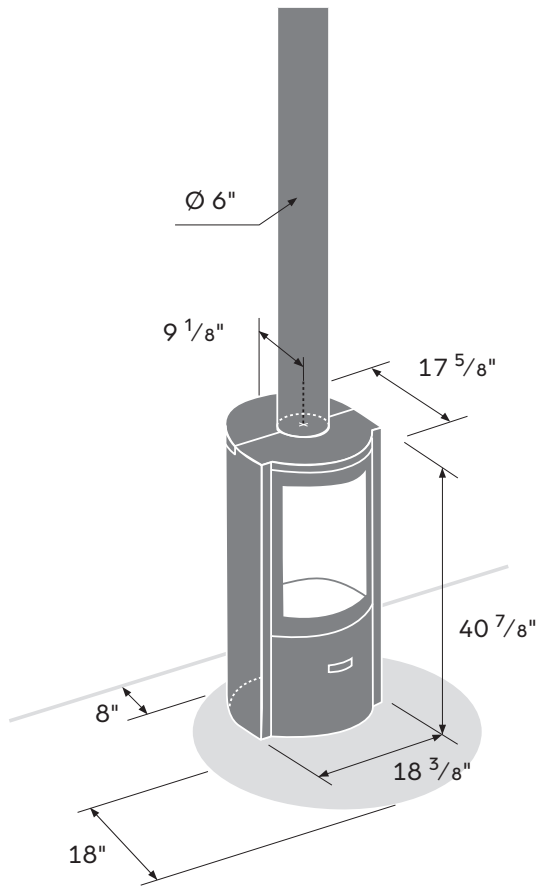


# Stûv 30-compact / ONE BLACK

## Technical sheet



### ADVANTAGES

- 3 operation modes
  - 360° rotation
  - Ash pan integrated into the base of the unit
  - Easy to light
  - Generates little ash
- Can be connected to outside air
  - Low fine particle emission rate
  - Suitable for all types of interiors
  - Priority of the view of the fire
  - Energy saving
  - No more firewood recutting
  - Easy to clean

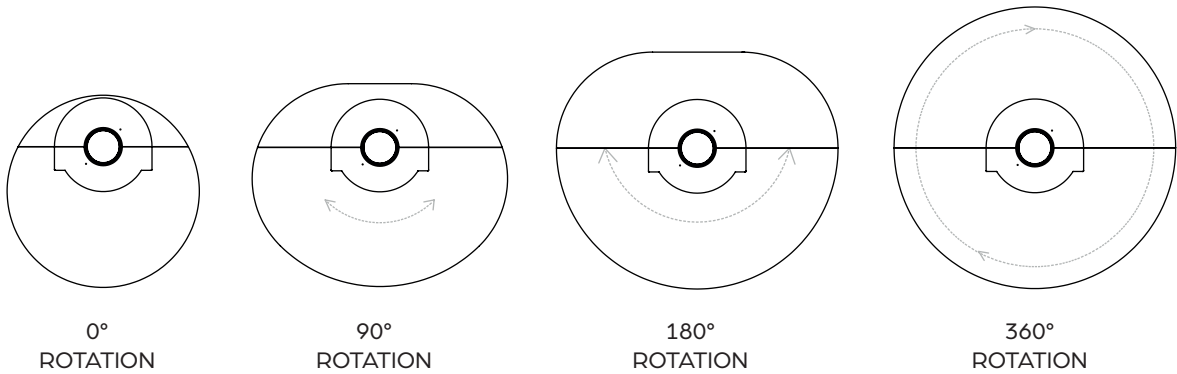


Size	30-compact ONE BLACK	30-compact
Max. vertical log length	16"	16"
Max. horizontal log length	10"	10"
Efficiency	74%	74%
Maximum power (EPA)*	17 049 BTU/h	17 049 BTU/h
Heating surface area	900 ft <sup>2</sup>	900 ft <sup>2</sup>
Firebox size	1.1 ft <sup>3</sup>	1.1 ft <sup>3</sup>
Fine particle emissions	1.82 g/h	1.82 g/h
Weight	248 lb	284 lb
Outside air duct	ø 4"	ø 4"
Doors	1 glass door only	standard 3 doors
Revolving base 360°	standard 360°	standard 360°

\* For more information : [cfpub.epa.gov/oarweb/woodstove](http://cfpub.epa.gov/oarweb/woodstove)

# FLOOR PLATE

POSSIBILITY OF 4 OPTIONS



Stûv 30-compact and 30-compact ONE BLACK

Rotation	0°	90°	180°	360°
Size	ø 36"	ø 48" x 38 1/2"	ø 52 7/8" x 44 1/2"	ø 52 7/8"

Note: The floor plates have a thickness of 14 GA.

## AVAILABLE COLOURS



StûvGrey



StûvBlack