

PB 145-45 (B-100)

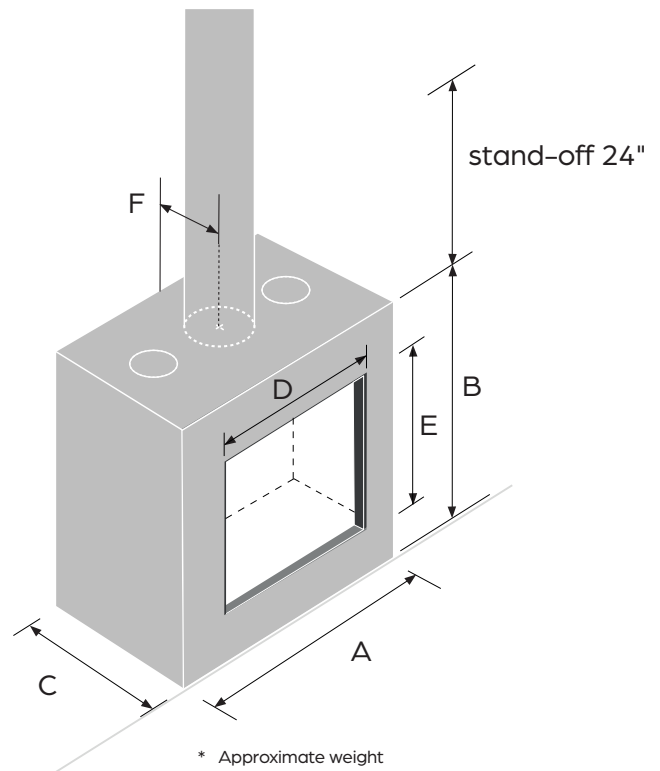
W	57 5/8"
H	17"

ADVANTAGES

- Two burners
-
- Set of hyper-realistic logs
-
- Multi-program remote control
-
- Invisible safety screen
-
- Efficient heating
-
- Minimalist design
-
- Easy to use
-
- Energy saving



Size	B-100
Efficiency Energuide (NG LPG)	66.2% 67.2%
Maximum power (BTU)	1 burner 28 200 2 burners 47 000
Minimum power. (BTU)	1 burner 16 450 2 burners 28 200
Heating surface area	1 350 ft ²
Weight*	320 lb
Direct vent	5/8
Valve and regulator	Maxitrol
Convection system	standard
A - Width**	58 1/16"
B - Height	27 1/8"
C - Depth**	20 5/16"
D - Opening width	39 1/4"
E - Opening height	13 9/16"
F - Chimney position*	9 15/16"



* Approximate weight

** Dimensions including stand-off