

PB 175-75 (B-100 H)

| | |
|---|---------|
| W | 67 7/8" |
| H | 29 1/4" |

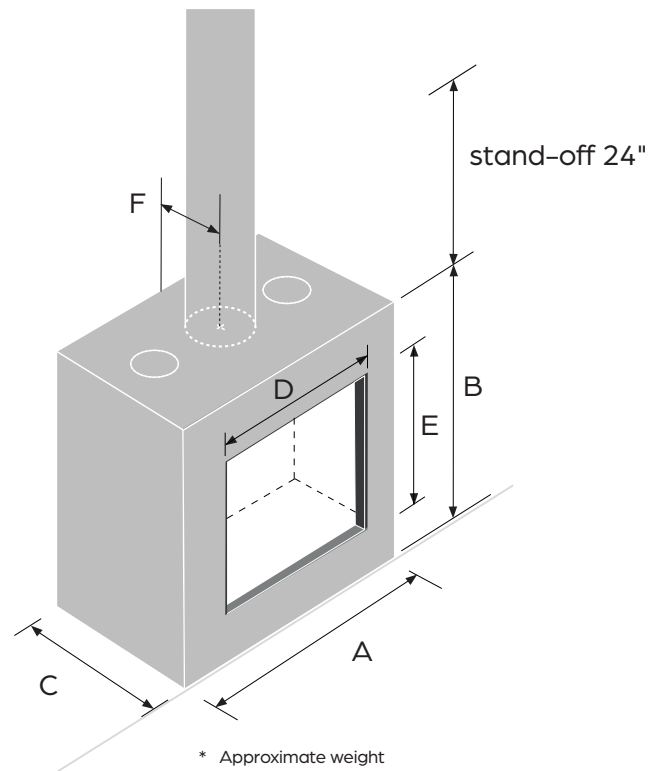
ADVANTAGES

- Two burners
-
- Set of hyper-realistic logs
-
- Multi-program remote control
-
- Invisible safety screen
-
- Efficient heating
-
- Minimalist design
-
- Easy to use
-
- Energy saving



Size **B-100 H**

| | |
|---------------------------------|-------------------------------------|
| Efficiency Energuide (NG LPG) | 65.2% 66% |
| Maximum power (BTU) | 1 burner 30 000 2 burners 50 000 |
| Minimum power. (BTU) | 1 burner 17 500 2 burners 30 000 |
| Heating surface area | 1 450 ft ² |
| Weight* | 485 lb |
| Direct vent | 5/8 |
| Valve and regulator | Maxitrol |
| Convection system | standard |
| A - Width** | 58 1/16" |
| B - Height | 44 7/16" |
| C - Depth** | 21" |
| D - Opening width | 39 1/4" |
| E - Opening height | 25 7/8" |
| F - Chimney position* | 10 5/8" |



* Approximate weight

** Dimensions including stand-off