

PB 70-90 (B-60)

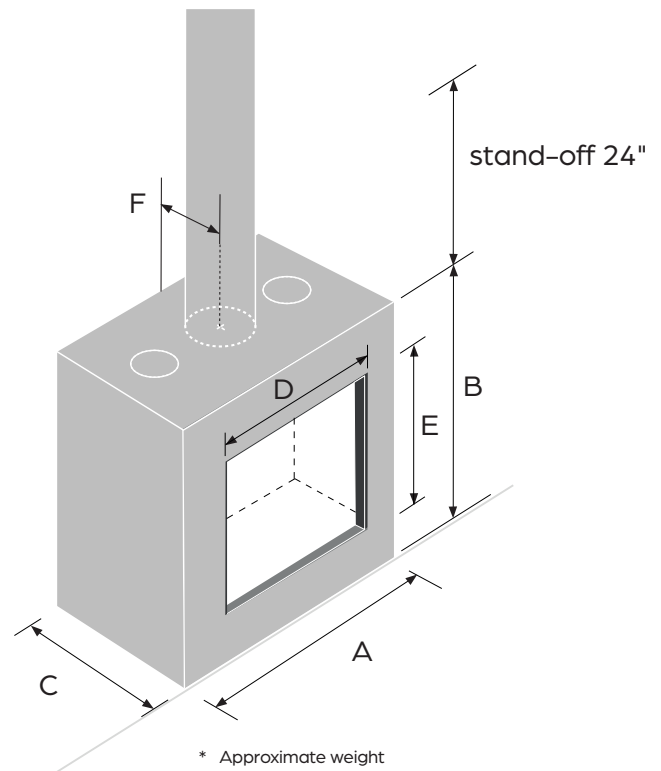
W	25 1/8"
H	34 7/8"

ADVANTAGES

- Two burners
-
- Set of hyper-realistic logs
-
- Multi-program remote control
-
- Invisible safety screen
-
- Efficient heating
-
- Minimalist design
-
- Easy to use
-
- Energy saving



Size	B-60
Efficiency Energuide (NG LPG)	68.2% 65.2%
Maximum power (BTU)	1 burner 28 200 2 burners 47 000
Minimum power. (BTU)	1 burner 16 450 2 burners 28 200
Heating surface area	1 350 ft ²
Weight*	345 lb
Direct vent	4/7
Valve and regulator	Maxitrol
Convection system	standard
A - Width**	42 7/16"
B - Height	44"
C - Depth**	21"
D - Opening width	23 5/8"
E - Opening height	31 1/2"
F - Chimney position*	10 5/8"



* Approximate weight

** Dimensions including stand-off