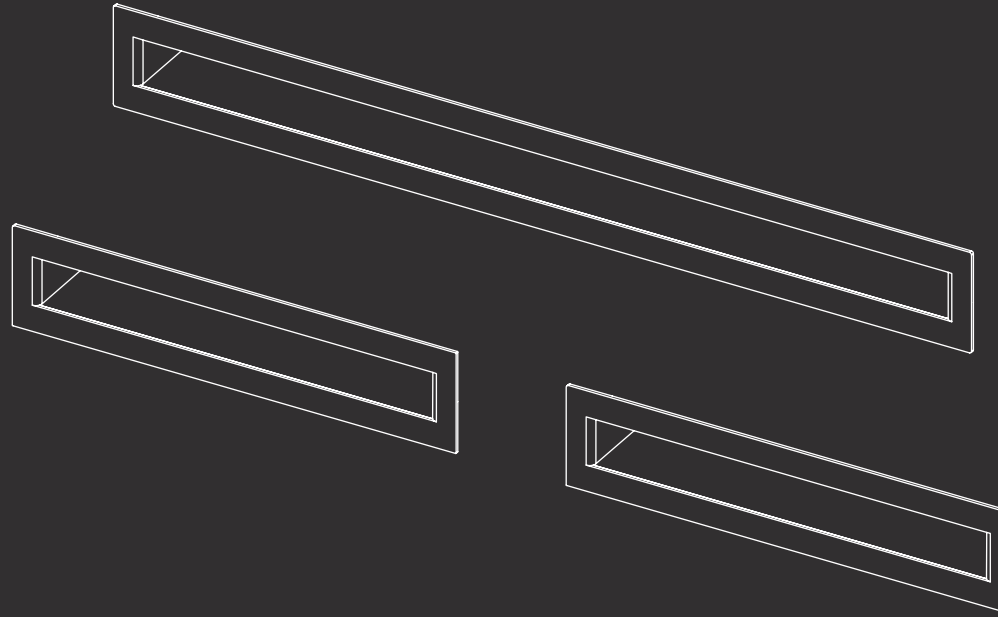


STÛV 21 LINEAR GRILLES

INSTALLATION MANUAL

Keep these instructions for future reference



REQUIRED TOOLS AND MATERIAL



Set square



Level



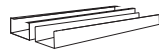
Measuring tape



Knife with retractable blade



Floor and wall finishing



Metal framing

REQUIRED HARDWARE



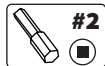
Impact drill



1" no. 8 wood screw



1/2" no. 8 metal screw



No. 2 square bit



8mm hex socket

and/or



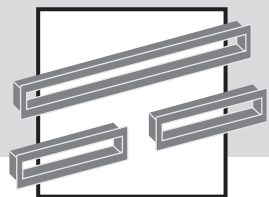
8 mm ratchet wrench

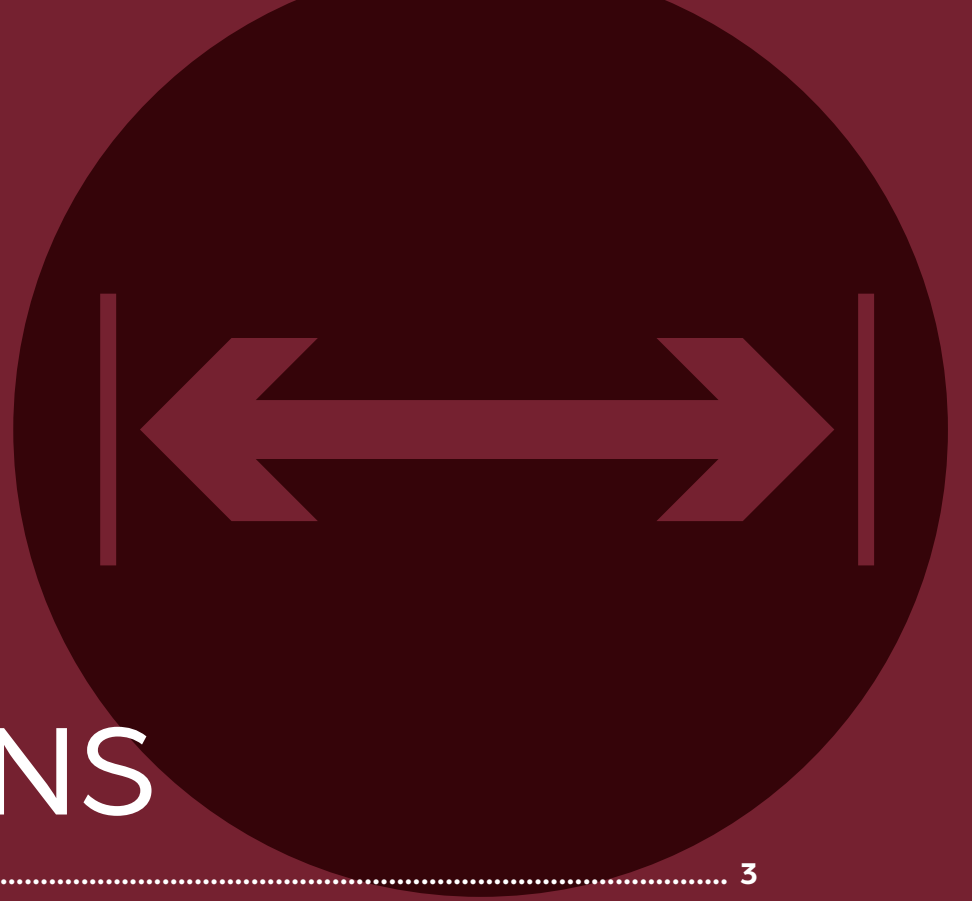


IMPORTANT

This document is an additional manual to the **Stûv 21** installation manual. These instructions are complementary and must be carefully followed.

Look for this symbol in the **Stûv 21** installation manual to know when to refer to this appendix.





1

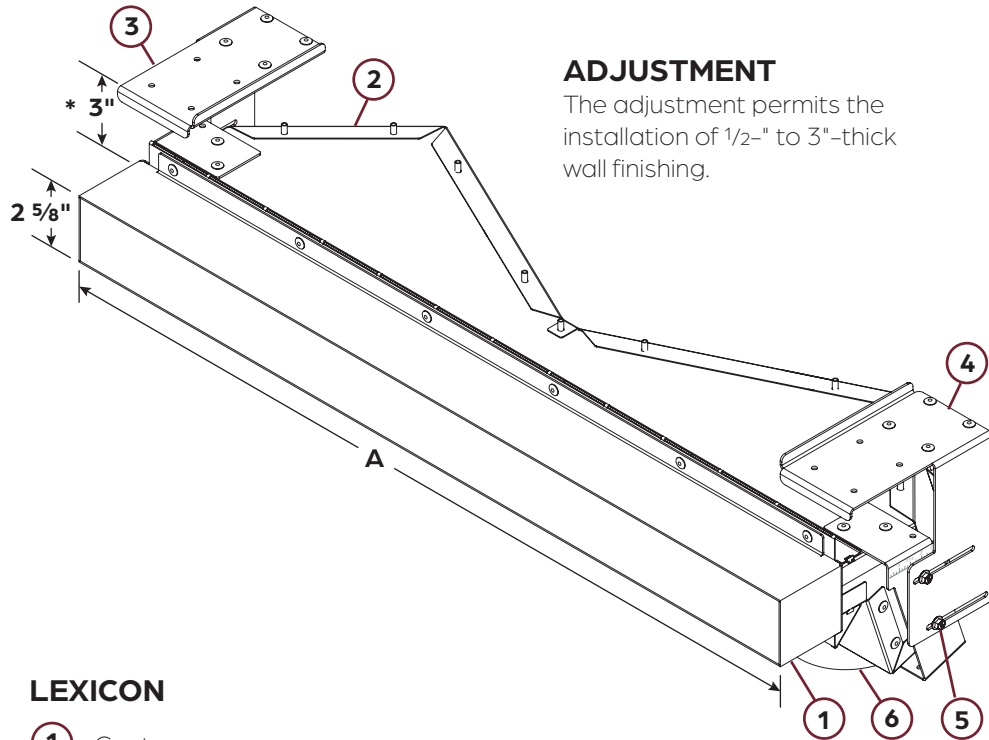
DIMENSIONS

1.1	DIMENSIONS AND PART NUMBERS	3
1.2	MINIMUM NON-COMBUSTIBLE MATERIALS	5
1.3	RECOMMENDED INSTALLATION	6
1.4	OPTION: CONVECTION AIR INTAKE BUILT INTO THE WALL	7

1.1 DIMENSIONS AND PART NUMBERS



OUTLET CONNECTION BOX



ADJUSTMENT

The adjustment permits the installation of 1/2"- to 3"-thick wall finishing.

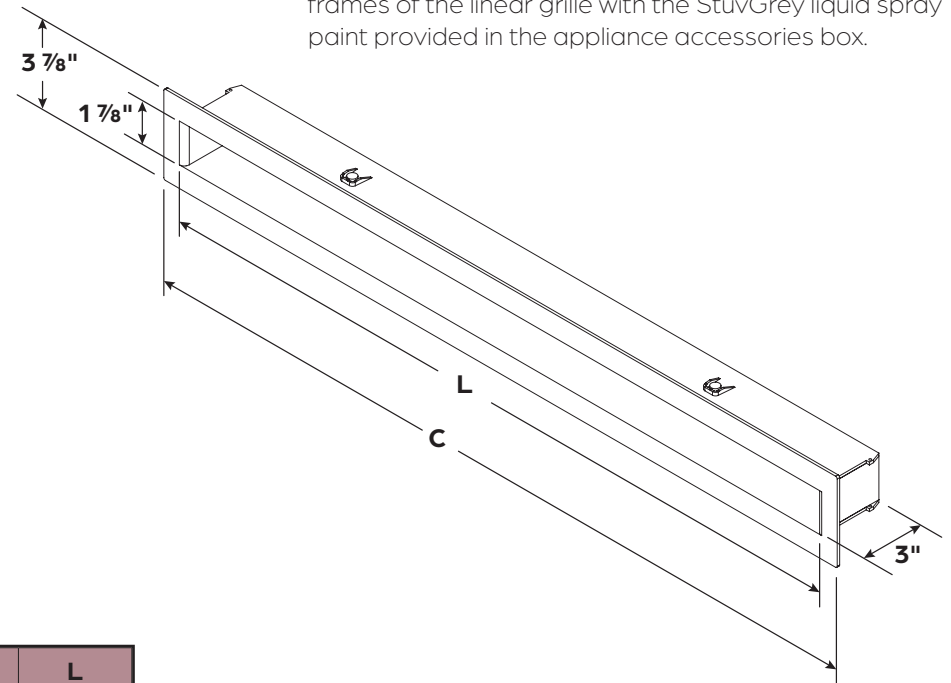
LEXICON

- ① Contour
- ② Connection box
- ③ Left adjustment support
- ④ Right adjustment support
- ⑤ M5 x 16 mm hex head screws
- ⑥ Connection flange

MODEL	A	C	L
21-85	30 9/16"	32 7/8"	30 7/8"
21-95	35 1/2"	36 13/16"	34 13/16"
21-105	39 7/16"	40 11/16"	38 11/16"
21-125	47 5/16"	48 5/8"	46 5/8"

*This dimension indicates the distance between the top of the steel track to the opening of the linear grille, which will help guide the framing's installation.

OUTLET FRAME



CAUTION: PAINT IS FRAGILE

Upon receiving, make sure the frame is in good condition. Repackage until ready to install in the connection box contour.

It is possible to touch up the paint on the finishing frames of the linear grille with the StûvGrey liquid spray paint provided in the appliance accessories box.

! CAUTION

Read the safety instructions in the Stûv 21 installation manual before using your fireplace.

Upon first uses, some smoke or odours may be produced. **Ventilate the room well.**

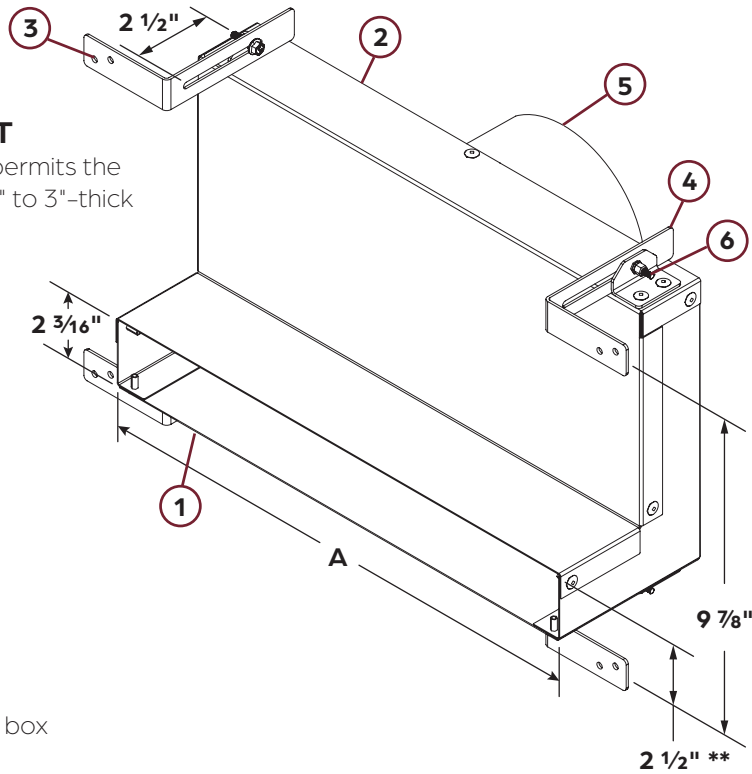
1.1 DIMENSIONS AND PART NUMBERS



INTAKE CONNECTION BOX

ADJUSTMENT

The adjustment permits the installation of 1/2"- to 3"-thick wall finishing.



LEXICON

- ① Contour
- ② Connection box
- ③ Left adjustment support
- ④ Right adjustment support
- ⑤ M5 x 16 mm hex head screws
- ⑥ Connection flange

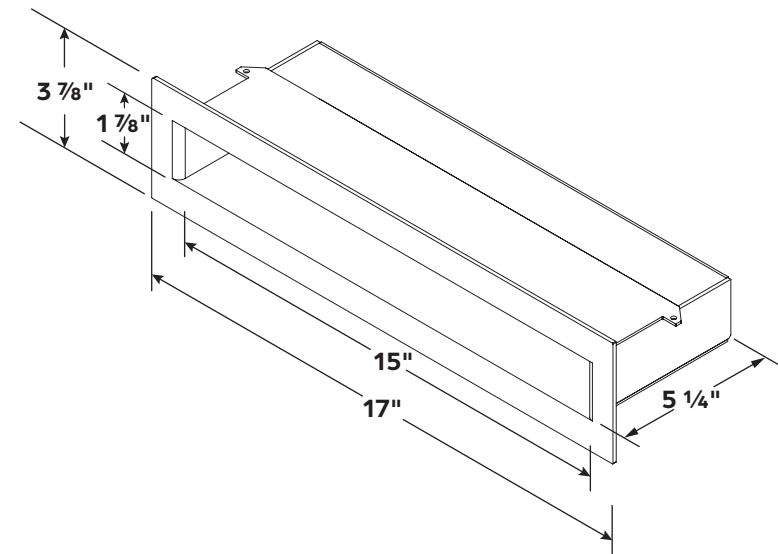
**This dimension indicates the distance between the center of the lower bracket and top opening of the linear grille, which will help guide the framing's installation.

INTAKE FRAME

CAUTION: PAINT IS FRAGILE

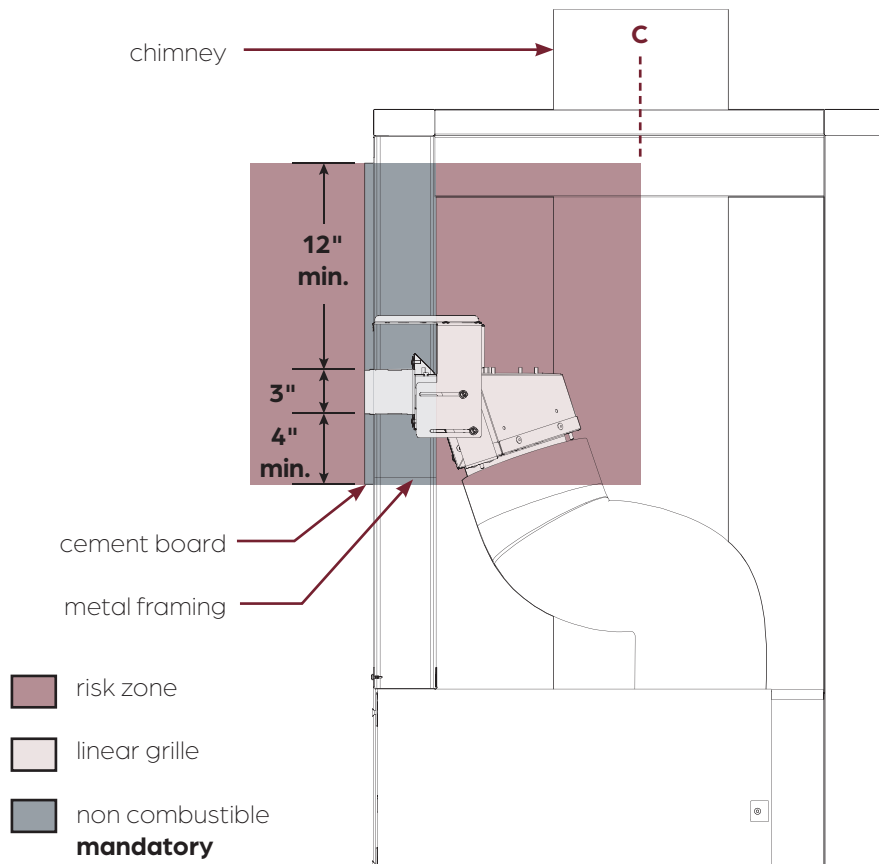
Upon receiving, make sure the frame is in good condition. Repackage until ready to install in the connection box contour.

It is possible to touch up the paint on the finishing frames of the linear grille with the StüvGrey liquid spray paint provided in the appliance accessories box.



The connection parts provided in the kit are described in the Stüv 21 installation manual.

1.2 MINIMUM NON-COMBUSTIBLE MATERIALS



The connection box of the linear grille can reach high temperature when the fireplace is in operation. It is mandatory to respect a minimum of **4" clearance to combustible materials below and on the sides**, and **12" above** the contour of the linear grille, up to the center of the chimney. Materials exposed to radiation must be resistant to high temperatures.

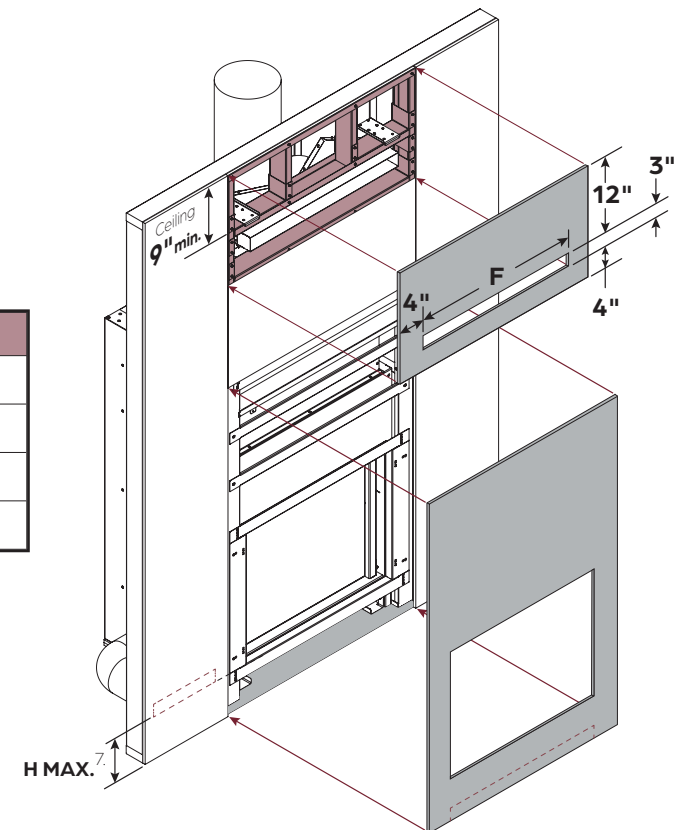
To avoid major damage, no combustible material should be placed in the risk zone and in front of a hot air outlet. In addition, blocking it may cause the unit to overheat and, in some cases, lead to a fire. Be sure to follow the above clearances to **avoid heat traps** or other major damage risks.

! CAUTION

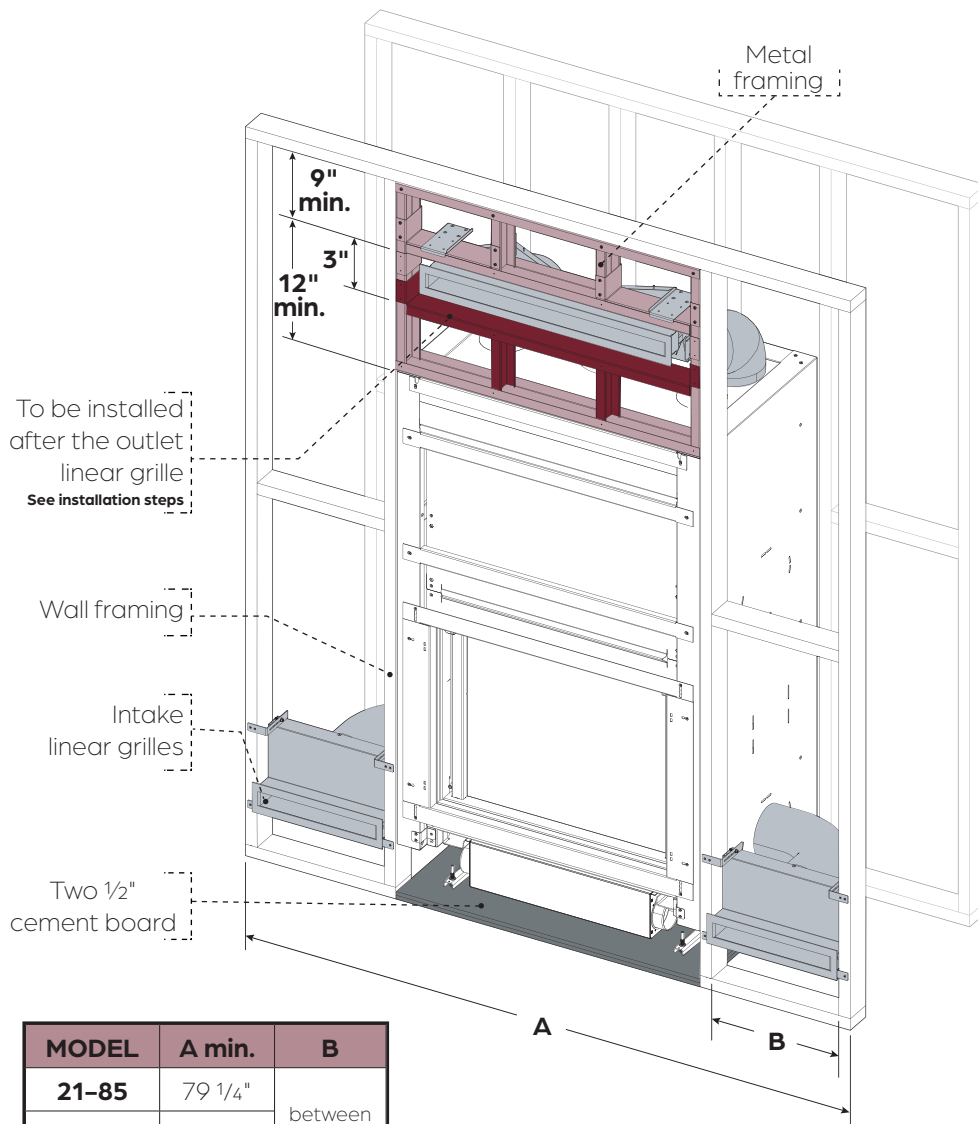
1. See the Stûv 21 installation manual for any framework information not specified on this page.
2. Do not place any items inside the linear grilles.
3. The ceiling must be a minimum distance of 12" from the top of the opening of the linear grille, which equals 9" with the top of the support track.
4. It is important to know the thickness of the wall finishing and ensure that it is a non-combustible material before installing the grille.
5. To install a convection air inlet built into the wall, call on a professional installer and follow the recommendations on the next page.
6. It is not mandatory to use non combustible material around the air inlet.
7. The convection air intake cannot be higher than the bottom of the glass.



MODEL	F
21-85	32"
21-95	35 7/8"
21-105	39 7/8"
21-125	47 3/4"



1.3 RECOMMENDED INSTALLATION



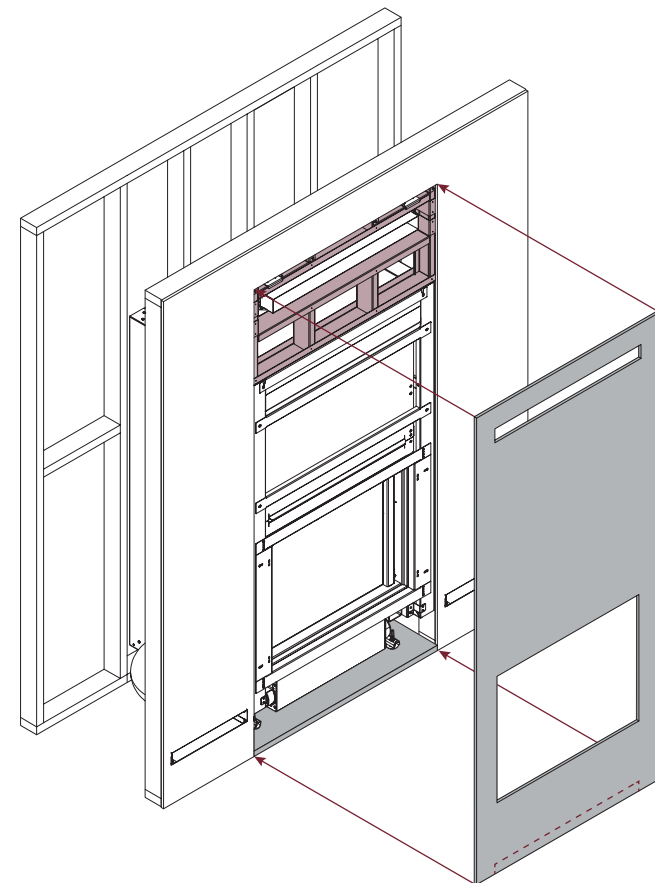
MODEL	A min.	B
21-85	79 1/4"	between 16 5/8" and 17 3/8"
21-95	83 1/8"	
21-105	87 1/8"	
21-125	95"	

! RECOMMENDATIONS

These instructions are not mandatory, but strongly recommended :

- Build an all-steel structure above the fireplace
- Leave a minimum distance of 12" from the top of the fireplace to facilitate the passage of the connection box and the pipes.
- Apply a single cement board panel, not several pieces.

These recommendations are additional. The minimums listed on the previous page must be respected.

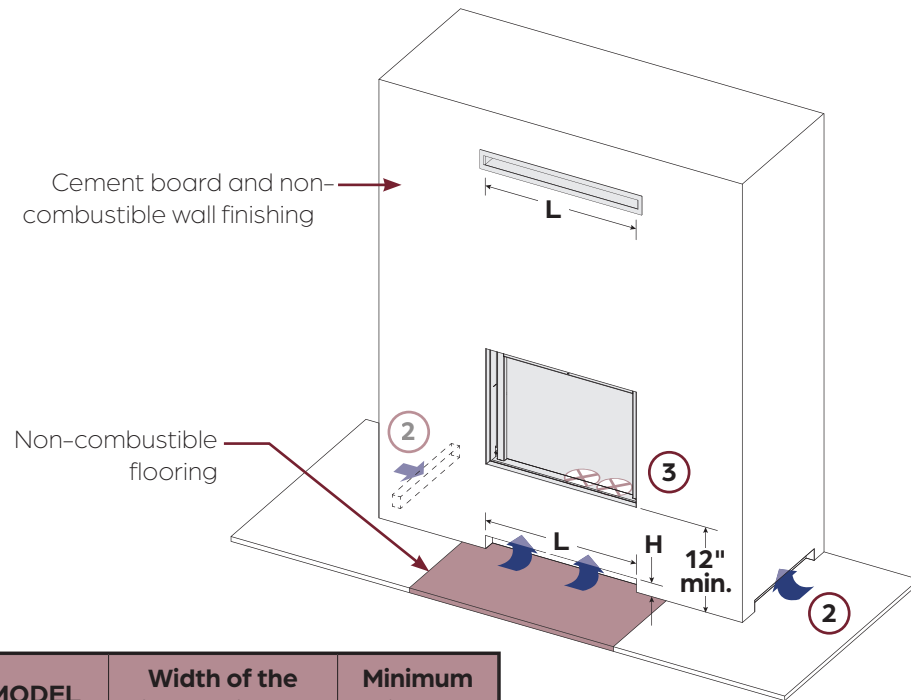


1.4 OPTION: CONVECTION AIR INTAKE BUILT INTO A WALL



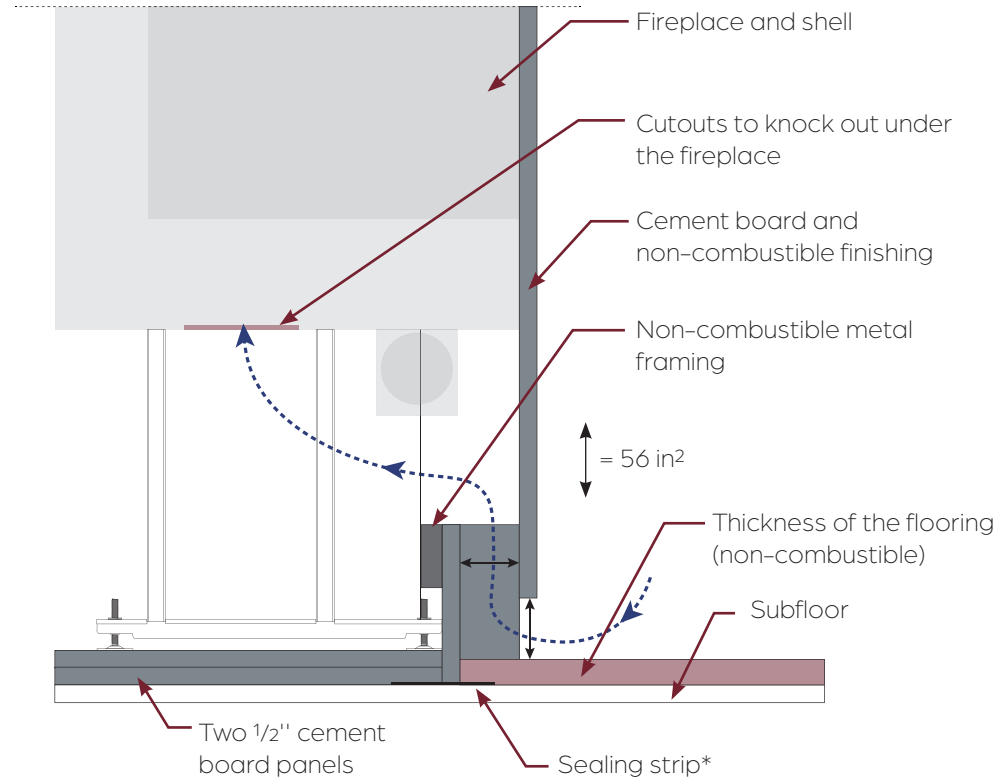
CAUTION

1. The convection air intake built into a wall can replace the provided grilles.
2. The convection air intake built into a wall can be separated into two intakes.
3. The cutouts under the fireplace must be knocked out.
4. The intake surface area and entire air circuit must be **minimum 56 in²** otherwise the convection will be inadequate. See the table at the bottom of the page for the minimum dimensions.
5. To install a convection air intake built into the wall, the hearth must be at a height of minimum **12"** (or **16"** with the airtight box and the mandatory adjustable stand).
6. We recommend to install an airtight box in this type of installation.



MODEL	Width of the linear grille (L)	Minimum height (H)
21-85	30 7/8"	1 7/8"
21-95	34 13/16"	1 5/8"
21-105	42 11/16"	1 3/8"
21-125	46 5/8"	1 1/4"

SECTION VIEW



The convection's surface area must be calculated prior to installation and validated onsite. **The client and installer are responsible for validating that the construction permits sufficient convection air movement.**

*The sealing strip must protect the subfloor and prevent ash and hot embers from coming into contact with combustible materials. The strip must be installed under the cement board and under the non-combustible flooring.

All materials placed under the fireplace and its insulated shell must be **non-combustible** (metal framing, cement board, etc.)

2

INSTALLATION



2.1	PREPARING FOR THE INSTALLATION	9
2.2	INSTALLING THE FRAMING	10
2.3	OUTLET ASSEMBLY	11
2.4	INLET ASSEMBLY	14
2.5	FINISHING THE WALL	15

2.1 PREPARING FOR THE INSTALLATION



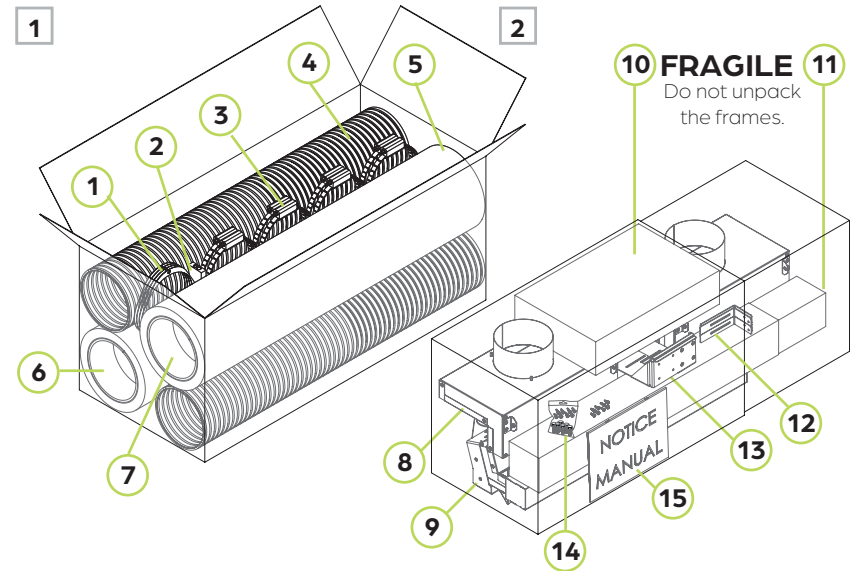
NOTE

Before starting these steps, the fireplace's height and location must be established and the framing around the fireplace must be installed. The type of wall finishing that will be installed must also be chosen.

Step 1 Open the box and make sure that all the components are there and in good condition.

Step 2 Place the finishing frame in a safe location to keep from damaging it during the system's installation. Do not take it out of the box until ready to install.

1. 4x safety bracket (maxclip)
2. 1x bag of self-drilling screws
3. 8x clamping collar
4. 2x $\varnothing 6$ " duct (cold air)
5. 2x $\varnothing 6$ " insulated duct (hot air)
6. 2x $\varnothing 6$ " x 3" flange
7. 2x $\varnothing 6$ " x 20" flange
8. 2x intake connection box
9. 1x outlet connection box
10. 2x intake frame
11. 1x outlet frame
12. 4x intake adjustment support
13. 2x outlet adjustment support
14. 1x bag of screws
 - 8x hex head screws to adjust
 - 12x self-drilling screws to affix
15. 1x installation manual

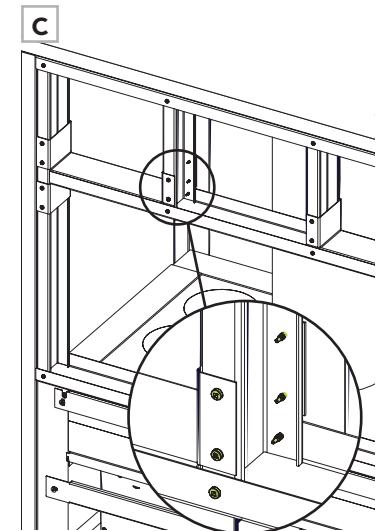
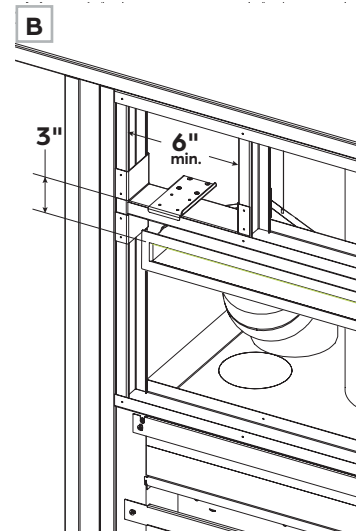
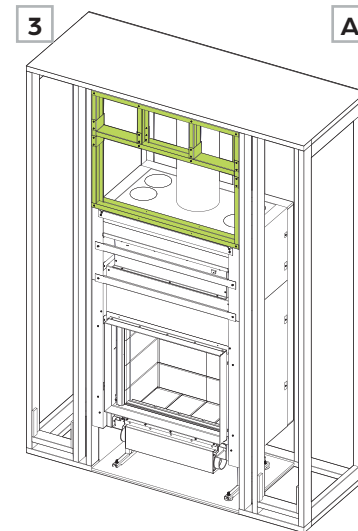


Step 3 The following page will explain how to install the framing. It is important to:

A. Make sure that the entire framing added around the linear grille consists of non-combustible steel studs and tracks. The one shown is $3 \frac{5}{8}$ " x $1 \frac{1}{4}$ ".

B. Calculate the desired height for the opening of the linear grille's frame in relation to the distance from the steel track it will be supported by:

C. Affix all components **to the front and back** of the studs and tracks for greater resistance.



2.2 INSTALLING THE FRAMING



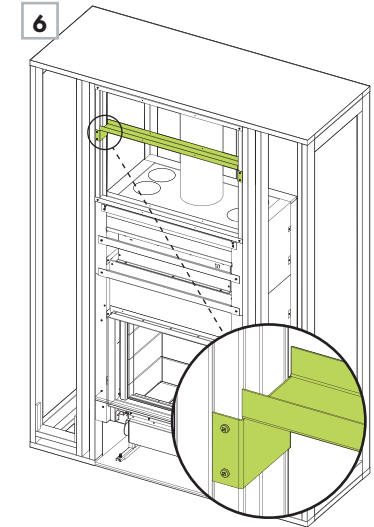
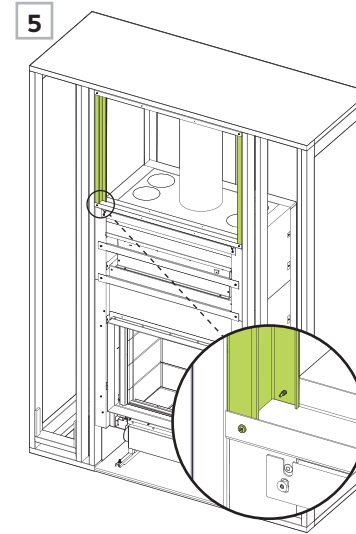
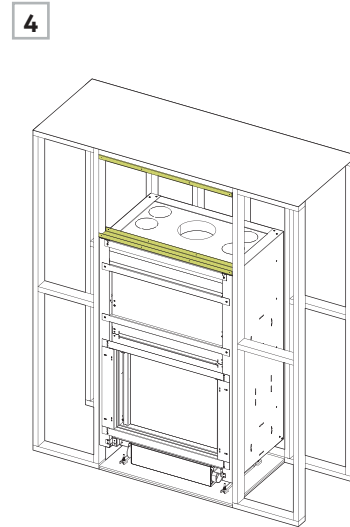
Step 4 Affix a steel track to the top of the wall structure and on top of the fireplace.

Step 5 Install two vertical metal studs on each side. Affix them to the wall structure and to the steel tracks, at the top and bottom, back and front.

Step 6 Install a track that will be used to hold the linear grille at the desired height. **This track will determine the frame's height.** Affix one side to the metal stud.

NOTE

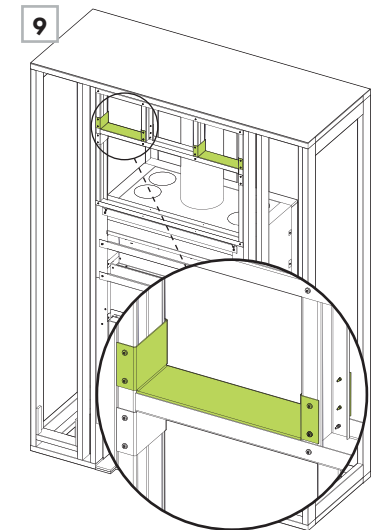
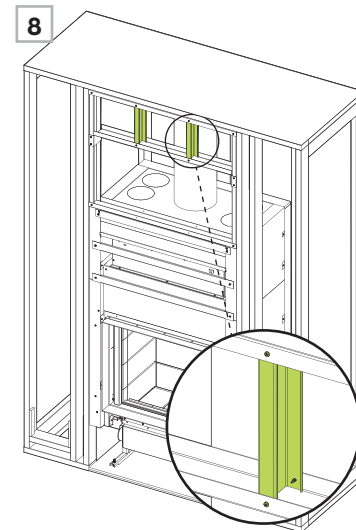
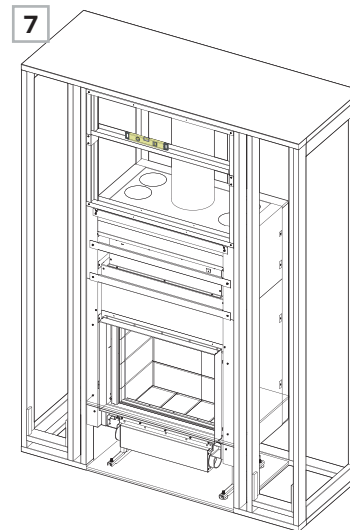
The height of this track must be **3"** above the desired location of the linear grille's contour.



Step 7 Use a level to make sure the track is straight. **The linear grille's level is directly related to the levelling of this track.** Affix the other side.

Step 8 Add metal studs spaced a maximum of 16" apart. They will be used to affix the cement board.

Step 9 Fit another track over the first, in the two sections where the adjustment supports will be placed. Position it toward the back to avoid excess thickness in the front.



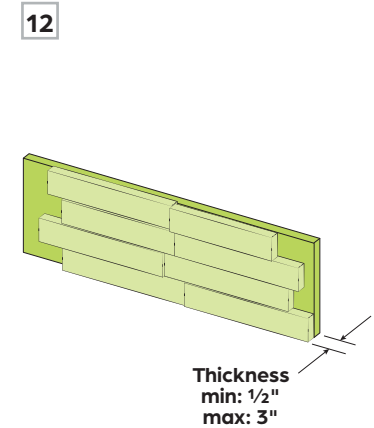
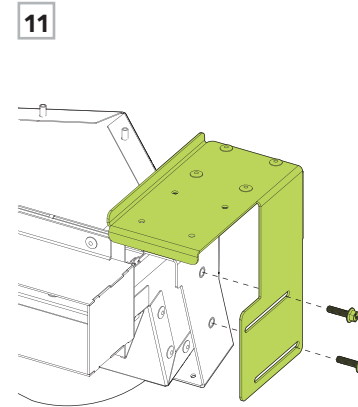
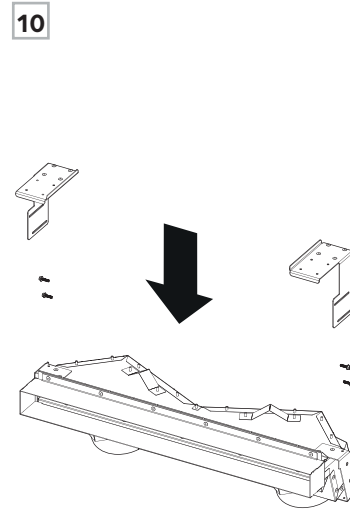
2.3 OUTLET ASSEMBLY



Step 10 Place the system on a flat surface. Note that the following steps must be carried out on both the right and left side.

Step 11 Use the four M5 screws and an 8 mm socket to position the adjustment supports. **Screw in slightly.**

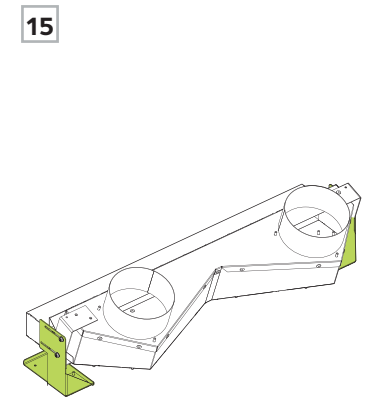
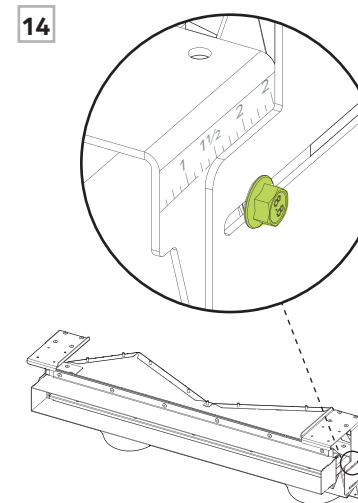
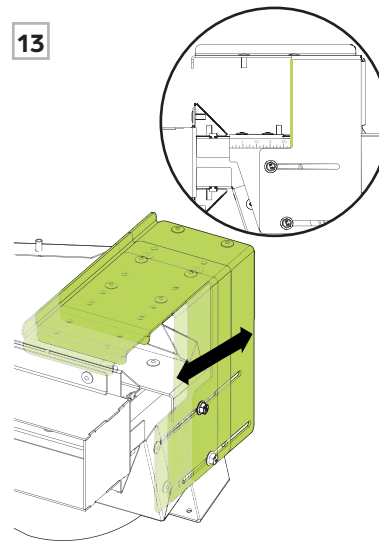
Step 12 Calculate the thickness of the wall finishing in relation to the stud, including the cement board and finish.



Step 13 Adjust the supports according to the dimension calculated in the previous step, using the engraved dimensions and side of the support (see green part in circle).

Step 14 Fully tighten the hex head screws for more stability during the installation. The dimension can be readjusted as needed before installing the wall panel.

Step 15 Turn the system so that it rests on the support.



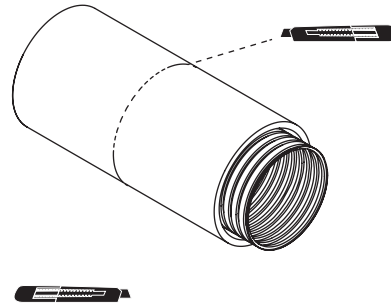
2.4 OUTLET ASSEMBLY



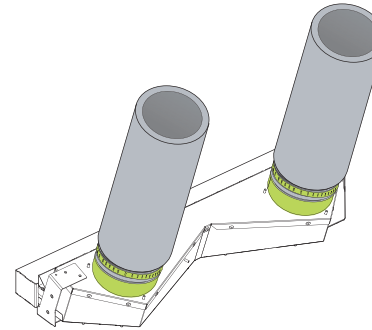
Step 16 If the linear grille is **less than 36"** from the top of the fireplace's insulated shell, stretch the insulated duct and separate into two equal parts. Otherwise, use the two ducts.

Step 17 Connect the insulated ducts to the two flanges on the connection box and secure each with a clamping collar. The clamping collars must be installed directly on the aluminum pipe and then covered with insulating wool.

16



17

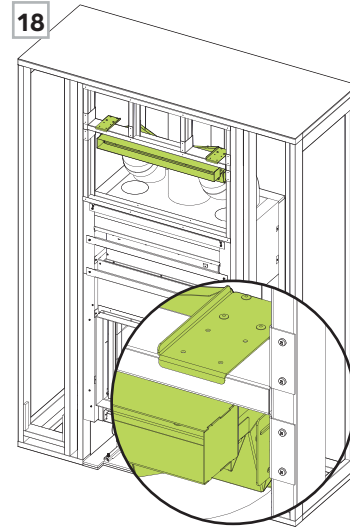


Step 18 Hang the system on the support track using the two adjustment supports.

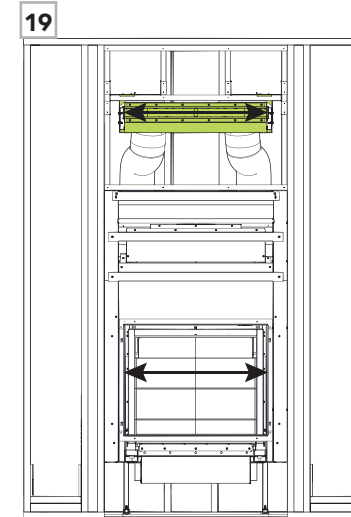
Step 19 Centre the grille in relation to the fireplace's hearth.

Step 20 With the self-drilling screws provided, temporarily screw a single hole into the horizontal track on the top of each adjustment support.

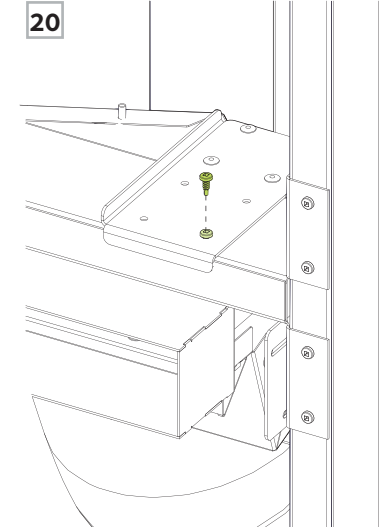
18



19



20



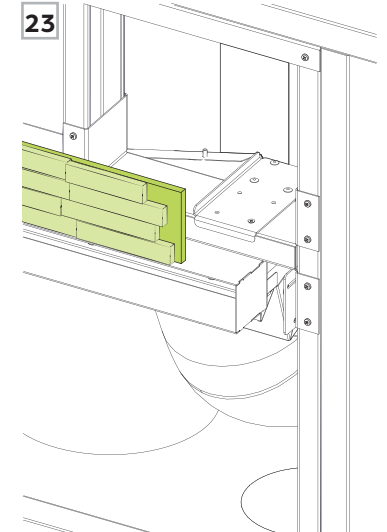
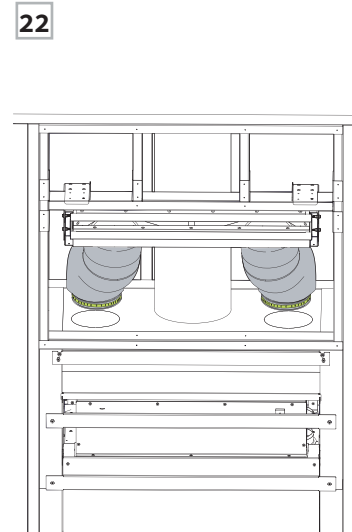
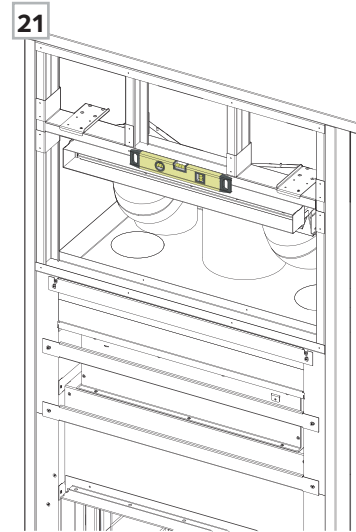
2.4 OUTLET ASSEMBLY



Step 21 Check that the connection box's contour is level. If not, adjust the track on which it rests.

Step 22 Connect the other end of the insulated ducts to the fireplace's outlet flanges. The clamping collars must be installed directly on the aluminum pipe and then covered with insulating wool.

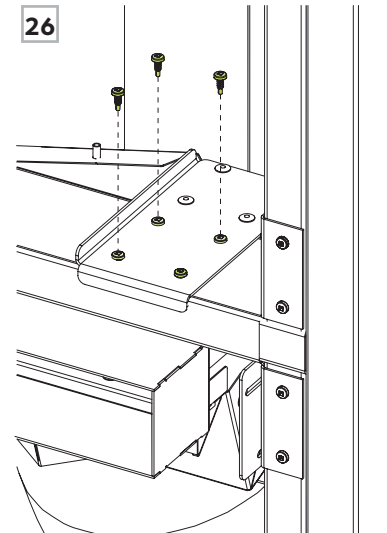
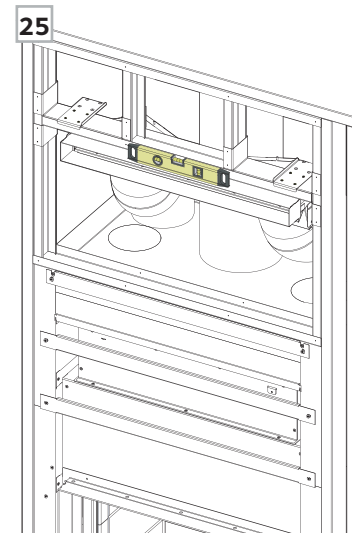
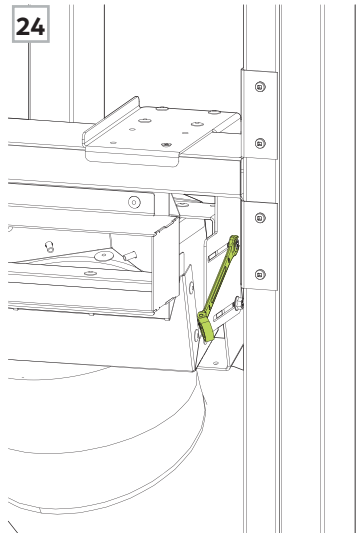
Step 23 Test with a scrap of cement board and a piece of wall finishing (if possible). **The wall finishing must be level with the contour.** If the wall finishing is not available, confirm the thickness with a measuring tape.



Step 24 If the depth is not exact, readjust with the hex head screws on either side, using a ratchet wrench.

Step 25 After making this adjustment, check the level, positioning and depth of the connection box again.

Step 26 Screw the self-driving screws into the other screw holes in the adjustment supports on both sides.



2.4 INLET ASSEMBLY

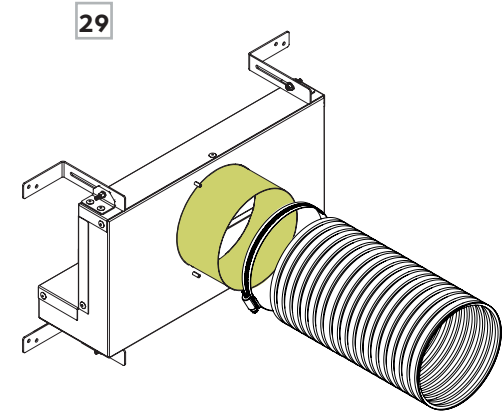
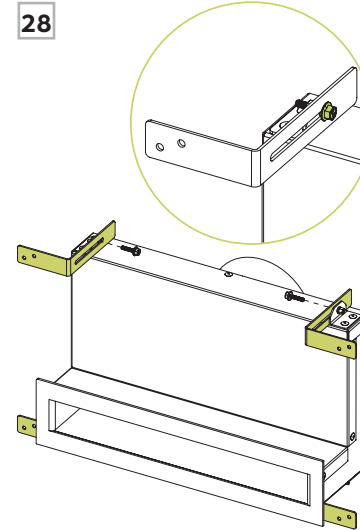
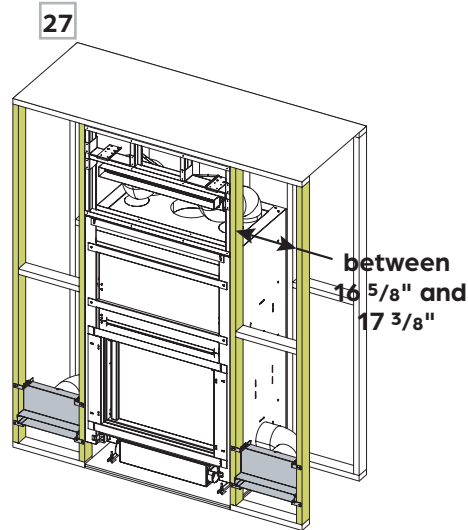


Step 27 Install two vertical studs on each side of the insulated shell to secure the air intake connection boxes.

Step 28 Use the four screws and an 8 mm socket to position the adjustment supports. **Screw almost completely.**

Step 29 Connect the ducts to the connection box and secure them with a clamping collar each.

Repete the last two steps for the second intake assembly.



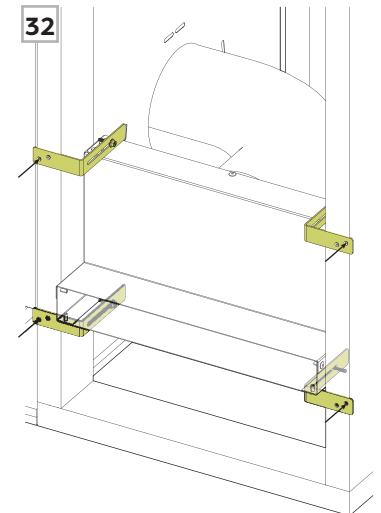
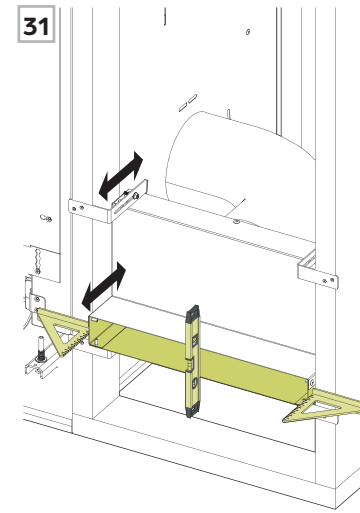
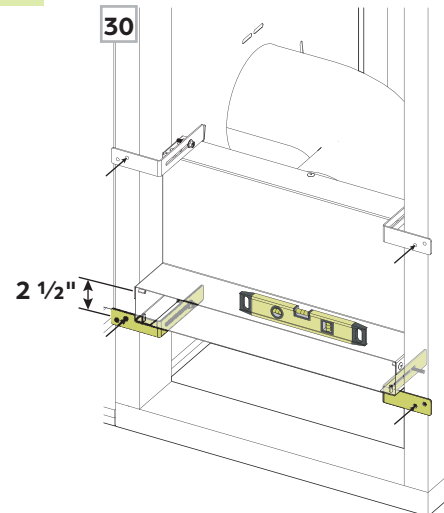
NOTE

The convection air intake cannot be higher than the bottom of the glass.

Step 30 With the dimensions indicated on the image, the distance between the center of lower bracket and the top opening of the linear grille, position and level the contour in height and affix the bottom brackets.

Step 31 With a set square and a level, position the contour in depth and secure the hex-headed screws.

Step 32 Screw the self-driving screws into the remaining holes on the adjustment supports.



2.5 FINISHING THE WALL



Step 33 Connect the other end of the ducts to the fireplace's intake flanges.

Step 34 Install one or more steel tracks between the fireplace and the linear grille to help affix the cement board and wall finishing. **These must be non-combustible.** Install studs under this track.

Step 35 Plan and measure all the openings: linear grille, fireplace hearth, air intake (either the built-in convection or two rectangular grilles). Cut the holes out of a single cement board and drywall panel (do not use several pieces), according to the actual dimensions.

NOTE

Do not screw the cement board into the fireplace or into the linear grille. Use the framework, the insulated shell or finishing trims to affix the finishing materials.

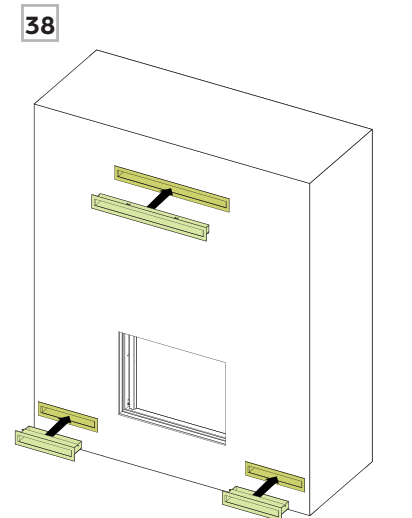
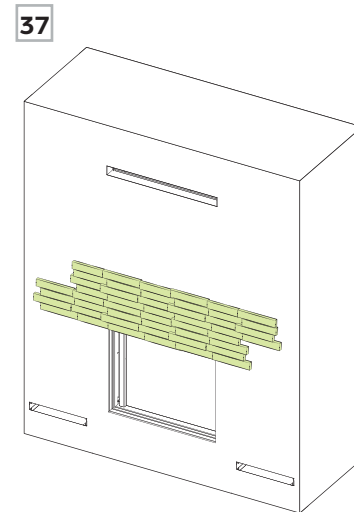
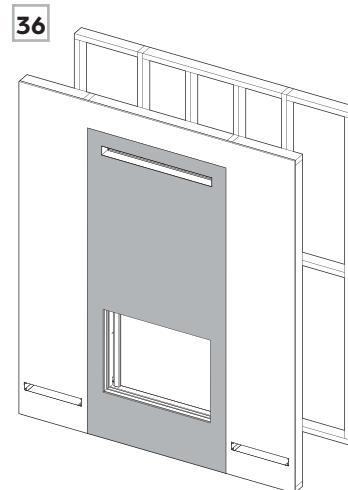
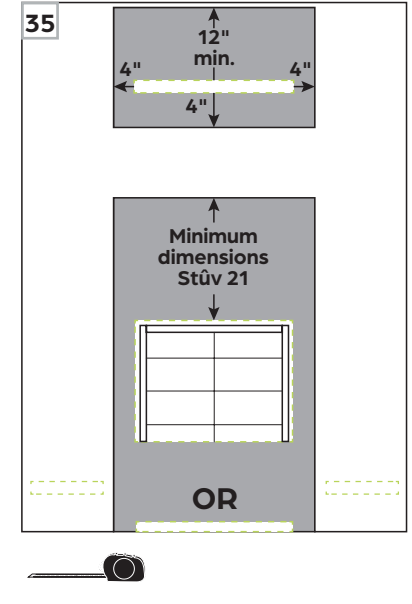
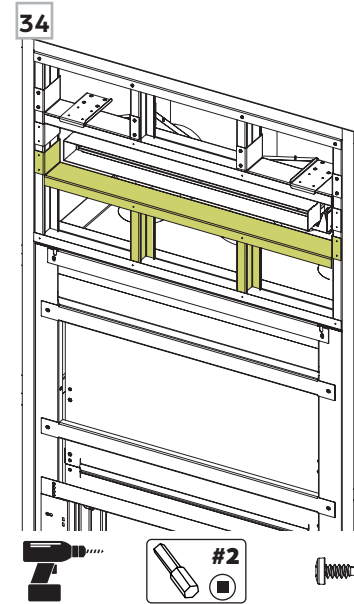
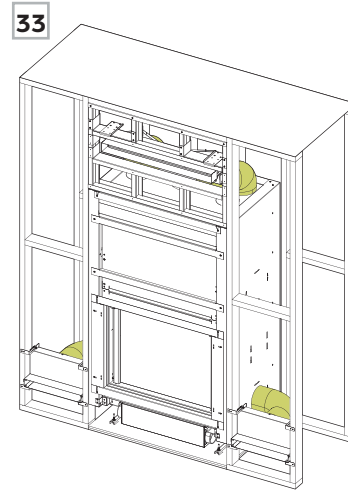
Step 36 Attach the panel to the framework using wood screws (not included).

Step 37 Finish with plaster or other, **non-combustible** wall finishing. The wall finishing must not exceed the connection box contour.

Step 38 Carefully unpack the finishing frame and slide it into the contour.

WARNING

The back side of the finishing frames must be in contact with the connection box contour. Otherwise, the installation will be considered non-compliant.





Stûv fireplaces are designed and
manufactured by:

Stûv sa – Belgique
stuv.com

Rue Jules Borbouse n°4 B-5170
Bois-de-Villers

This accessory is designed and
manufactured by :

Stûv America inc. – Canada
stuvamerica.com

34, Boulevard de l'Aéroport
Bromont Qc Canada J2L 1S6

1-514-396-3463 | 1-866-487-7888