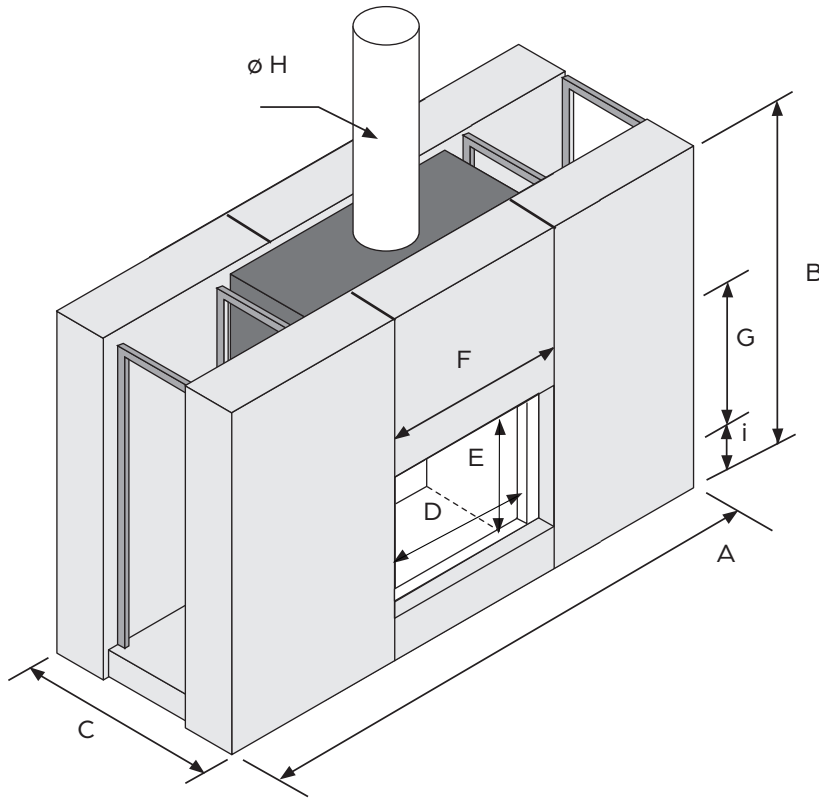


Stûv 21-clad DF7

Technical sheet



ADVANTAGES

- Quick and easy installation
-
- Hybrid - Ambiance fire or auxiliary heating
-
- Integrated convection system
-
- Can be connected to outside air
-
- Accessible mechanical components
-
- High heating power
-
- Easy to light
-
- Generates little ash
-
- No finishing work required
-
- Wide view of the fire
-
- Easy to maintain

Available colors



*These nominal heat outputs were obtained according to a European testing protocol.
For additional information on powers, please see: <https://stuvamerica.com/en/inspirations/tips-and-techniques/power-btu/>

** Approximate weight includes fireplace and cladding
Dimensions for information only. See the installation manuals for details.

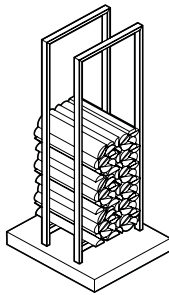


Size	21-85 DF	21-95 DF	21-125 DF
Maximum length of logs	24"	28"	40"
Nominal heat output*	48 000 BTU/h	50 000 BTU/h	61 000 BTU/h
Heating surface area	1 400 ft ²	1 600 ft ²	1 800 ft ²
Firebox size	6.5 ft ³	8.4 ft ³	10.6 ft ³
Outside air duct	ø 6"	ø 6"	ø 6"
Weight**	975 lb	1 145 lb	1 200 lb
A - Width	86"	89 ¹⁵ / ₁₆ "	101 ⁵ / ₈ "
B - Height	59 ⁵ / ₈ "	64 ¹ / ₄ "	59 ⁵ / ₈ "
C - Depth	31 ¹ / ₂ "	31 ¹ / ₂ "	31 ¹ / ₂ "
D - Glass width	26 ¹ / ₂ "	30 ³ / ₈ "	42 ¹ / ₈ "
E - Glass height	21 ¹ / ₁₆ "	24 ¹ / ₄ "	21 ¹ / ₁₆ "
F - Opening width	30 ³ / ₄ "	34 ⁷ / ₈ "	46 ¹ / ₂ "
G - Opening height	23 ³ / ₄ "	26 ¹⁵ / ₁₆ "	23 ³ / ₄ "
H - Chimney diameter	10"	12"	12"
i - Height to opening	12 ³ / ₄ "	12 ³ / ₄ "	12 ³ / ₄ "

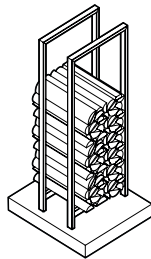
LOG RACKS

FINISHING ACCESSORIES

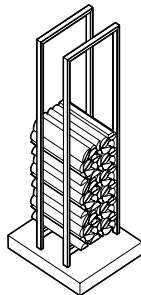
WARNING: The log racks are **NOT** equipped with wheels and **are sold separately**.



SF2 log rack
21-85 clad, 21-95 clad et 21-125 clad
17 ³/₁₆" W x 58 ³/₁₆" H x 19 ¹¹/₁₆" D



SF2 log rack
21-105 clad
15 ³/₈" W x 52 ⁹/₁₆" H x 19 ¹¹/₁₆" D



DF2 / DF7 log rack
21-85 clad DF, 21-95 clad DF et 21-125 clad DF
13 ³/₈" W x 58 ³/₁₆" H x 19 ¹¹/₁₆" D

AVAILABLE COLORS



StûvGrey



StûvBlack



Rust