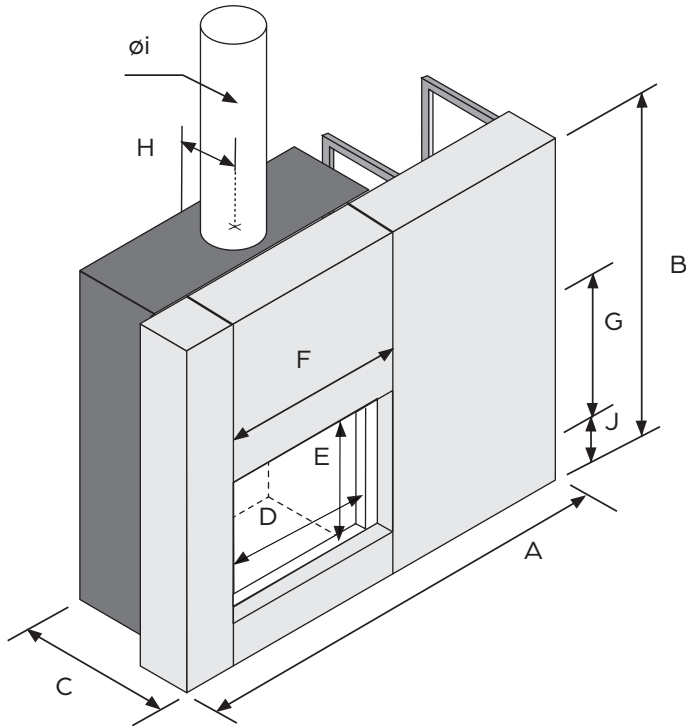


# Stûv 21-clad SF2

## Technical sheet



### ADVANTAGES

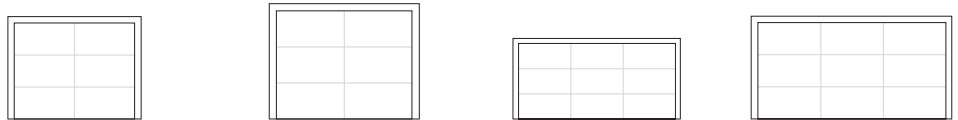
- Quick and easy installation
- 
- Hybrid - Ambiance fire or auxiliary heating
- 
- Integrated convection system
- 
- Can be connected to outside air
- 
- Accessible mechanical components
- 
- High heating power
- 
- Easy to light
- 
- Generates little ash
- 
- No finishing work required
- 
- Wide view of the fire
- 
- Easy to maintain

Available colors



\*These nominal heat outputs were obtained according to a European testing protocol.  
For additional information on powers, please see: <https://stuvamerica.com/en/inspirations/tips-and-techniques/power-btu/>

\*\* Approximate weight includes fireplace and cladding  
Dimensions for information only. See the installation manuals for details.

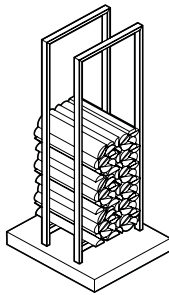


Size	21-85 SF	21-95 SF	21-105 SF	21-125 SF
Maximum length of logs	24"	28"	32"	40"
Nominal heat output*	44 000 BTU/h	43 000 BTU/h	65 000 BTU/h	60 000 BTU/h
Heating surface area	1 400 ft <sup>2</sup>	1 600 ft <sup>2</sup>	1 400 ft <sup>2</sup>	1 800 ft <sup>2</sup>
Firebox size	4.8 ft <sup>3</sup>	6.6 ft <sup>3</sup>	5.3 ft <sup>3</sup>	8.4 ft <sup>3</sup>
Outside air duct	ø 4-6"	ø 4-6"	ø 4-6"	ø 4-6"
Weight**	775 lb	925 lb	765 lb	975 lb
A - Width	66 <sup>5</sup> / <sub>16</sub> "	70 <sup>1</sup> / <sub>4</sub> "	74 <sup>3</sup> / <sub>16</sub> "	82 <sup>1</sup> / <sub>16</sub> "
B - Height	59 <sup>5</sup> / <sub>8</sub> "	64 <sup>1</sup> / <sub>4</sub> "	51 <sup>7</sup> / <sub>16</sub> "	59 <sup>5</sup> / <sub>8</sub> "
C - Depth	27 <sup>7</sup> / <sub>16</sub> "	29 <sup>7</sup> / <sub>16</sub> "	25 <sup>1</sup> / <sub>2</sub> "	28 <sup>1</sup> / <sub>4</sub> "
D - Glass width	26 <sup>1</sup> / <sub>2</sub> "	30 <sup>3</sup> / <sub>8</sub> "	34 <sup>1</sup> / <sub>4</sub> "	42 <sup>1</sup> / <sub>8</sub> "
E - Glass height	21 <sup>1</sup> / <sub>16</sub> "	24 <sup>1</sup> / <sub>4</sub> "	15 <sup>3</sup> / <sub>4</sub> "	21 <sup>1</sup> / <sub>16</sub> "
F - Opening width	30 <sup>3</sup> / <sub>4</sub> "	34 <sup>7</sup> / <sub>8</sub> "	38 <sup>3</sup> / <sub>4</sub> "	46 <sup>1</sup> / <sub>2</sub> "
G - Opening height	23 <sup>3</sup> / <sub>4</sub> "	26 <sup>16</sup> / <sub>16</sub> "	18 <sup>1</sup> / <sub>2</sub> "	23 <sup>3</sup> / <sub>4</sub> "
H - Chimney position	11 <sup>5</sup> / <sub>8</sub> "	12 <sup>1</sup> / <sub>2</sub> "	11 <sup>3</sup> / <sub>8</sub> "	12 <sup>5</sup> / <sub>16</sub> "
i - Chimney diameter	8"	10"	8"	10"
J - Height to opening	12 <sup>3</sup> / <sub>4</sub> "	12 <sup>3</sup> / <sub>4</sub> "	12 <sup>3</sup> / <sub>4</sub> "	12 <sup>3</sup> / <sub>4</sub> "

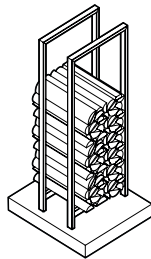
# LOG RACKS

## FINISHING ACCESSORIES

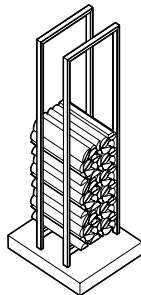
**WARNING:** The log racks are **NOT** equipped with wheels and **are sold separately**.



SF2 log rack  
**21-85 clad, 21-95 clad et 21-125 clad**  
17  $\frac{3}{16}$ " W x 58  $\frac{3}{16}$ " H x 19  $\frac{11}{16}$ " D



SF2 log rack  
**21-105 clad**  
15  $\frac{3}{8}$ " W x 52  $\frac{9}{16}$ " H x 19  $\frac{11}{16}$ " D



DF2 / DF7 log rack  
**21-85 clad DF, 21-95 clad DF et 21-125 clad DF**  
13  $\frac{3}{8}$ " W x 58  $\frac{3}{16}$ " H x 19  $\frac{11}{16}$ " D

## AVAILABLE COLORS



StûvGrey



StûvBlack



Rust