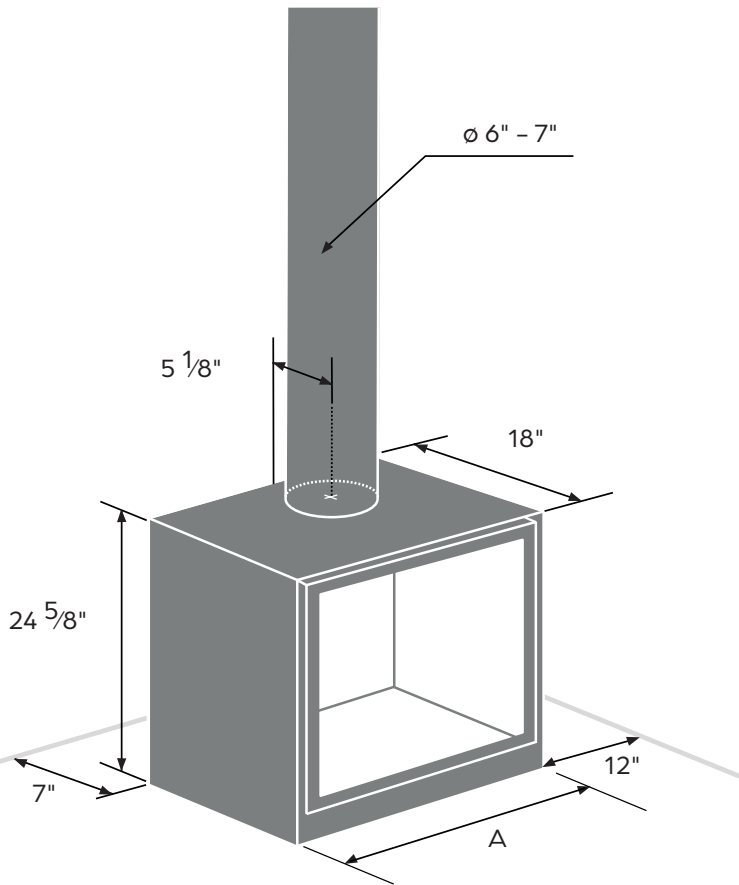


Stûv 16-cube

Technical sheet

stûv
AMERICA



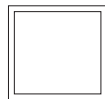
ADVANTAGES

- High heating power
-
- Precise assembly
-
- Generates little ash
-
- Easy to use
-
- Can be connected to outside air
-
- Suitable for all types of interiors
-
- Priority of the view of the fire
-
- Environmental performance
-
- No more firewood recutting

Available colors



StûvGrey StûvBlack



Size	16-58	16-68	16-78
Width (A)	22 $\frac{7}{8}$ "	26 $\frac{3}{4}$ "	30 $\frac{3}{4}$ "
Maximum length of logs	17"	21"	25"
Efficiency (EPA)	70,3%	61,6%	66,6%
Particle emissions	1.47 g/h	1.94 g/h	3.1 g/h
Maximum power*	65 000 BTU/h	82 000 BTU/h	86 000 BTU/h
EPA Power*	27 015 BTU/h	24 818 BTU/h	28 765 BTU/h
Nominal heat output*	46 000 BTU/h	50 000 BTU/h	58 000 BTU/h
Heating surface area	1 400 ft ²	1 650 ft ²	2 100 ft ²
Firebox size	1.6 ft ³	2 ft ³	2.2 ft ³
Glass width	17 $\frac{5}{8}$ "	21 $\frac{9}{16}$ "	25 $\frac{1}{2}$ "
Glass height	16 $\frac{9}{16}$ "	16 $\frac{9}{16}$ "	16 $\frac{9}{16}$ "
Outside air duct	$\varnothing 4''$	$\varnothing 4''$	$\varnothing 4''$
Weight	250 lb	272 lb	300 lb

*For additional information on powers, please see: <https://stuvamerica.com/en/inspirations/tips-and-techniques/power-btu/>
Dimensions for information only. See the installation manuals for details.