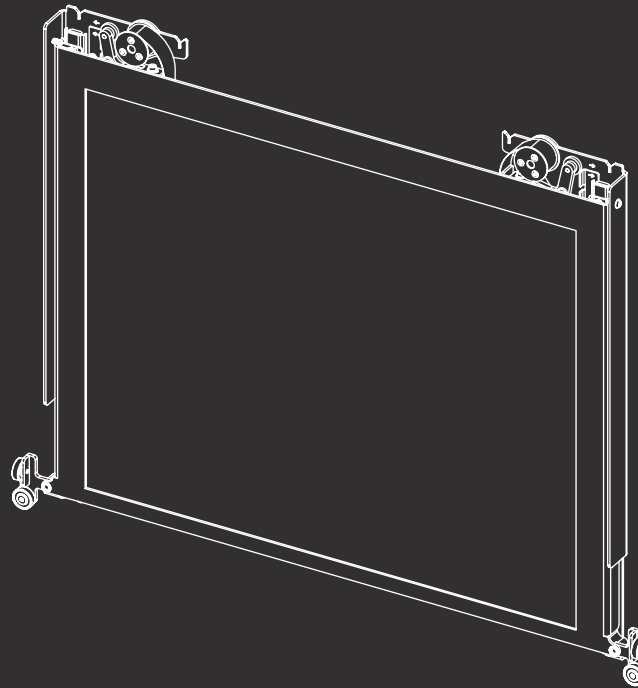


GUILLOTINE FIRESCREEN STÛV 21

INSTALLATION MANUAL

Keep these instructions for future reference



REQUIRED FOR INSTALLATION



Door support



Cardboard and
masking tape



Light



Vacuum cleaner



8mm ratchet
spanner wrench



3mm
hex key



No. 2
phillips bit



4mm
hex key

FOR MAINTENANCE



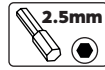
Impact driver



Covered
workplace



Protective cloth



2.5mm
hex bit



5mm
hex bit



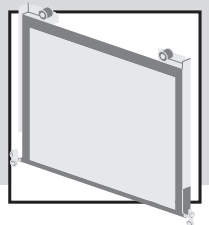
7mm
hex socket

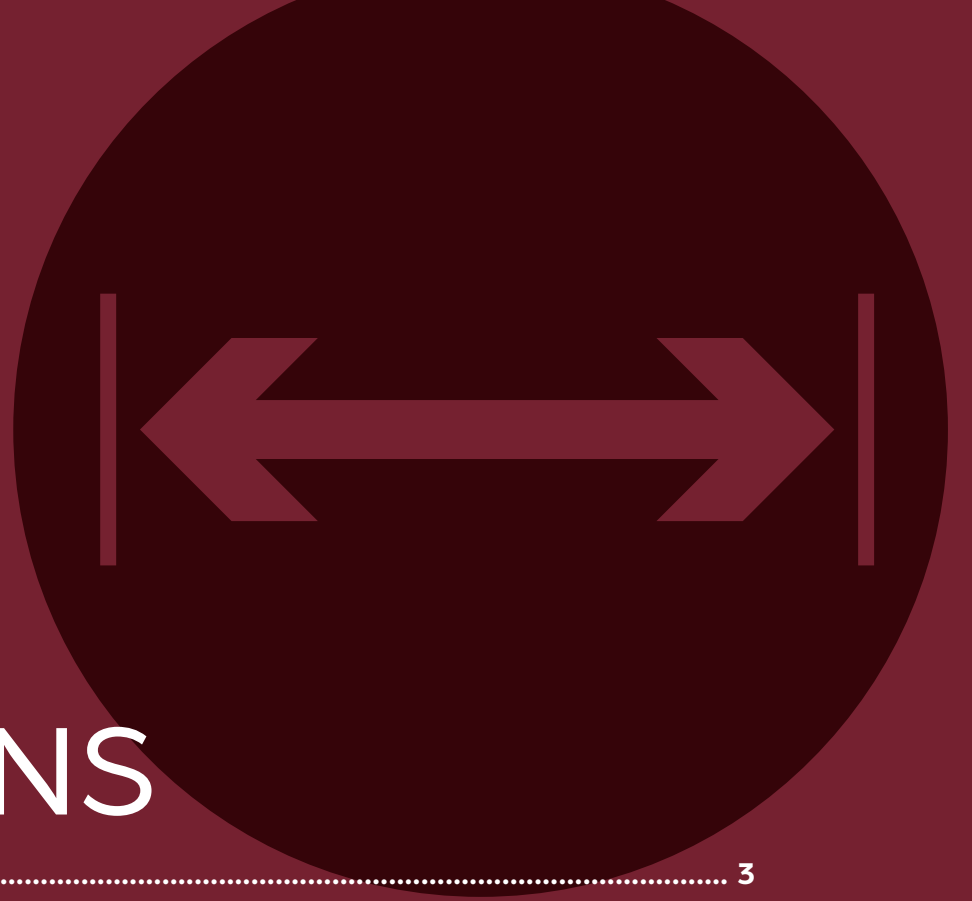


IMPORTANT

This document is an additional manual to the **Stûv 21** installation manual. For a successful installation, it is important to follow these instructions carefully.

Look for this symbol in the **Stûv 21** installation manual to know when to refer to this additional manual.



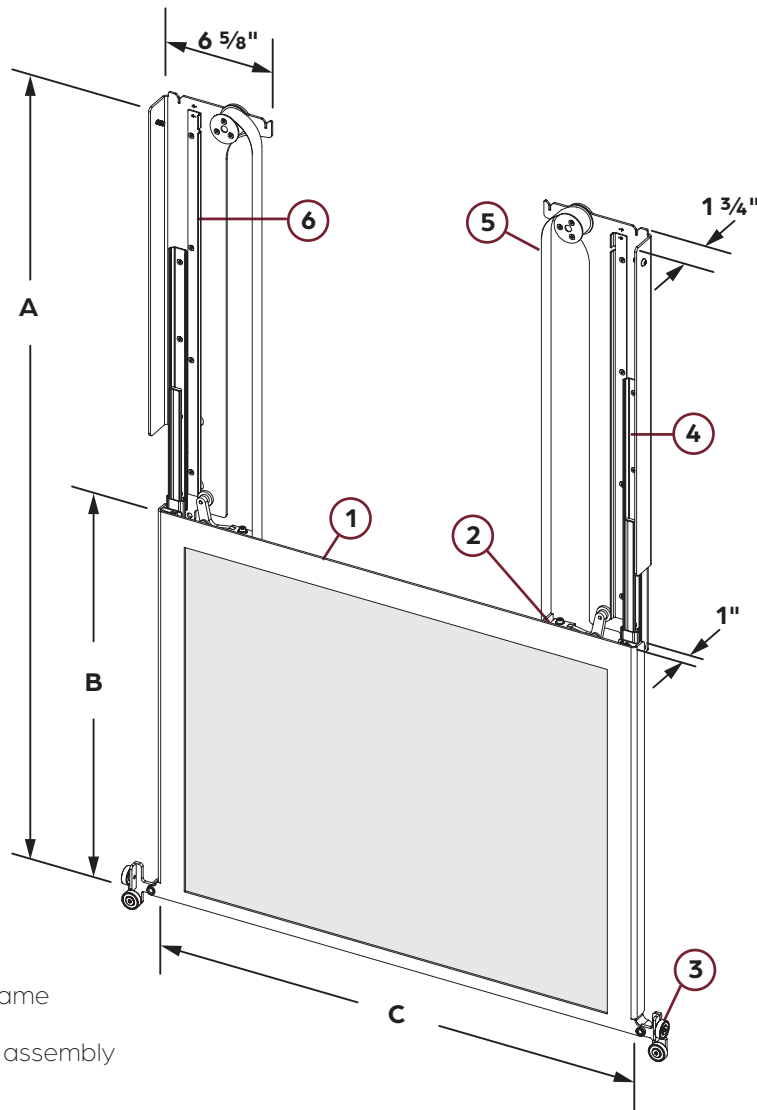


1

DIMENSIONS

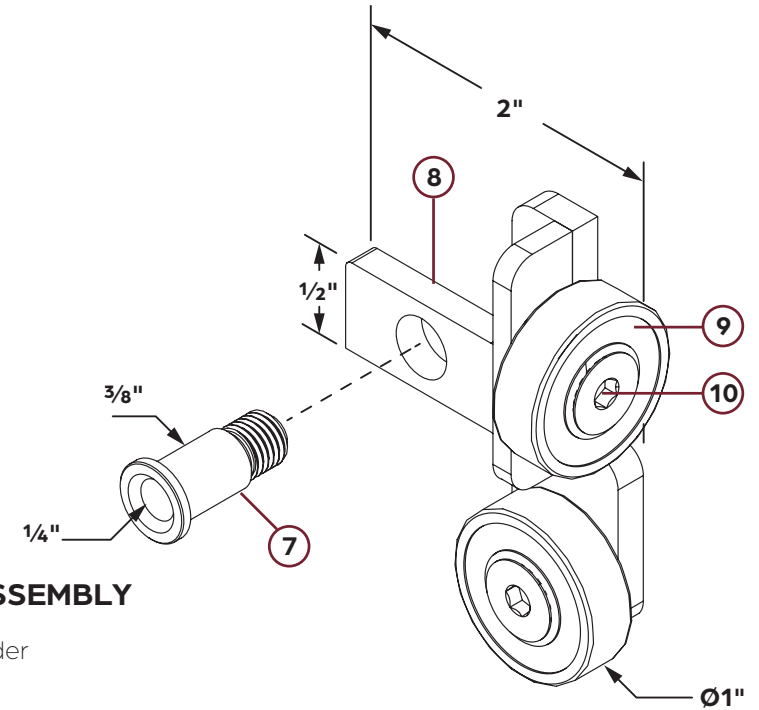
1.1 DIMENSIONS AND PART NUMBERS 3

1.1 DIMENSIONS AND PART NUMBERS



LEXICON

- ① Frame
- ② Counter-frame
- ③ Guide arm assembly
- ④ Slide
- ⑤ Coil spring
- ⑥ Slide system



GUIDE ARM ASSEMBLY

- ⑦ Handle cylinder
- ⑧ Guide arm
- ⑨ Roller bearing
- ⑩ M6 x 14mm flat head screw and washer

MODEL	CODE	A	B	C
21-85	AW1300400001	48 7/8"	23 11/16"	30"
21-95	AW1300400002	55 3/8"	26 15/16"	33 7/8"
21-105	AW1300400003	38 1/4"	18 3/8"	37 13/16"
21-125	AW1300400004	48 7/8"	23 11/16"	45 11/16"

2

INSTALLATION

2.1	UNPACKING	5
2.2	INSTALLING THE FIRESCREEN WHILE INSTALLING THE FIREPLACE	6
2.3	INSTALLING THE FIRESCREEN AFTER THE FIREPLACE HAS BEEN INSTALLED	9



2.1 UNPACKING



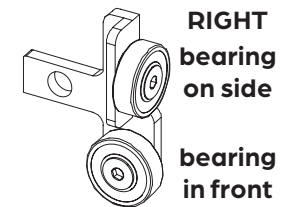
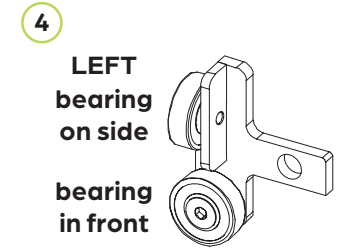
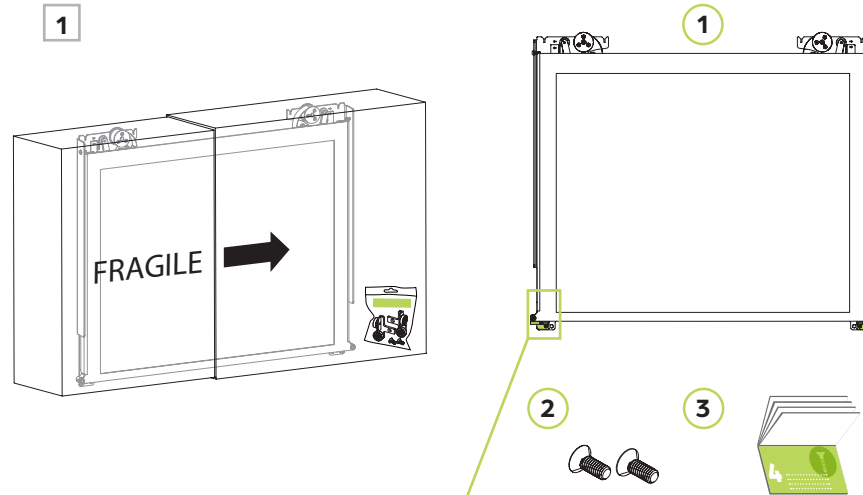
! IMPORTANT

The paint is not cured and is therefore fairly **fragile**, but will harden after being heated a few times. Handle with care.

Open the firescreen box and check that everything is there.

CONTENTS

1. Guillotine firescreen, including:
 - 2x handle cylinders
 - 2x hanging tools
 - 2x M5 x 14 mm hanging screws
2. 2x M5 x 12 mm flat head screws
3. Installation manual
4. 2x guide arms



To install before the firescreen

Hanging tool assembly

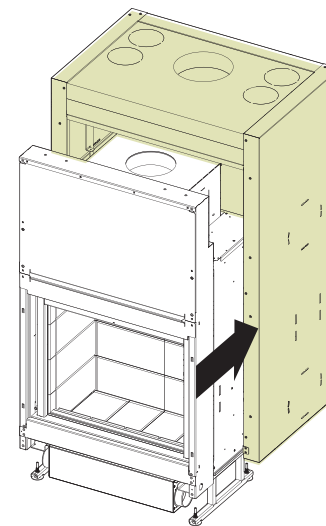
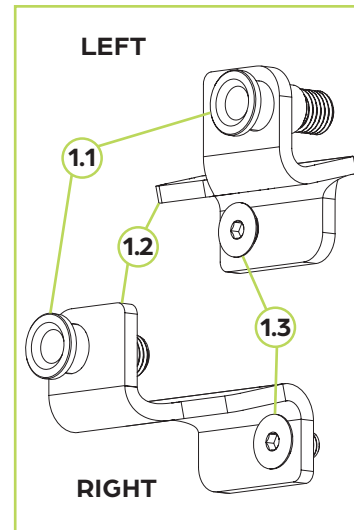
The hanging tools keep the firescreen in closed position. They will be removed during the installation.

INSTALLATION

It is easier to install the firescreen while installing the fireplace.

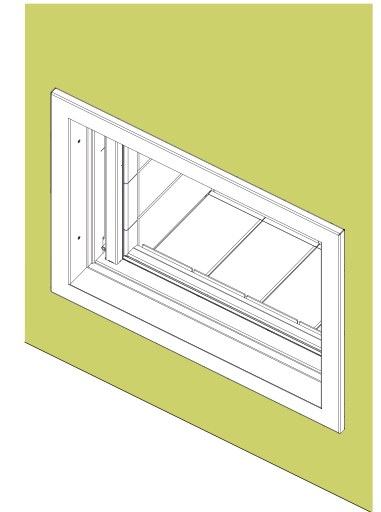
To install the firescreen during the fireplace installation, **follow the instructions on the next page before attaching the insulated shell to the fireplace.**

Go to page 9 if the fireplace is already installed and the wall is finished.



PAGE 6

PAGE 9



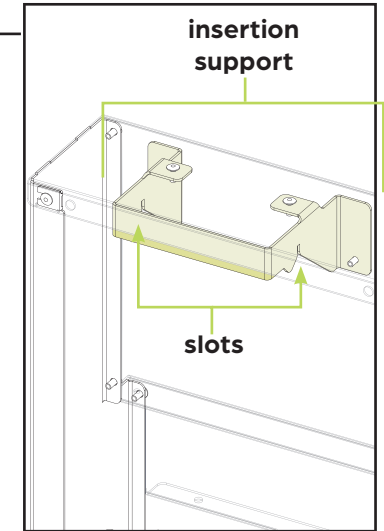
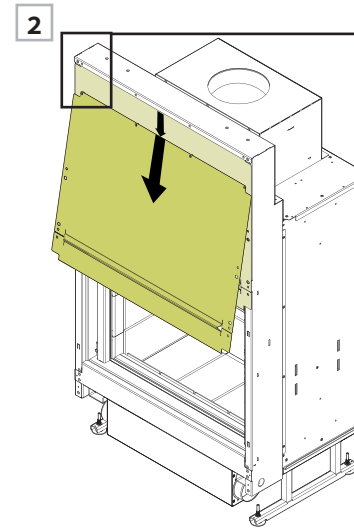
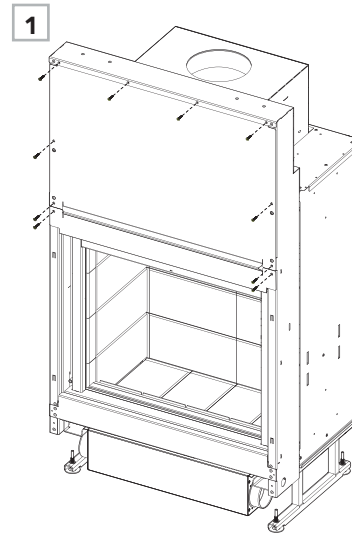
2.2 INSTALLING THE FIRESCREEN WHILE INSTALLING THE FIREPLACE



Step 1.1 Remove the screws holding the front cover in place.

Step 1.2 Slide the cover down by tilting it slightly. Removing the cover will make the insertion supports visible.

Set the cover and the screws aside to reinstall at the end.



IMPORTANT

Install the guide arms now.

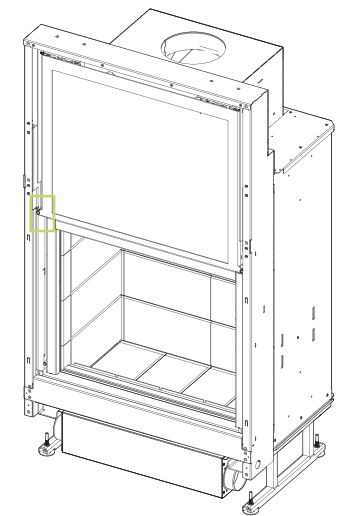
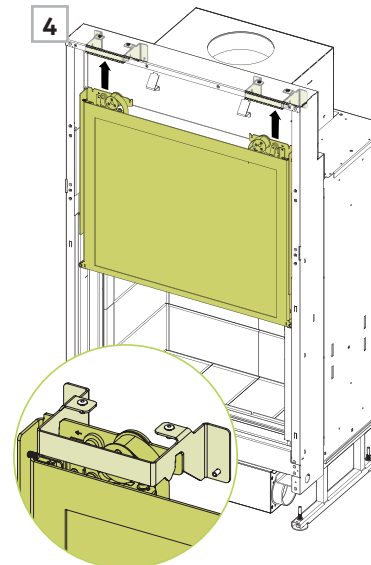
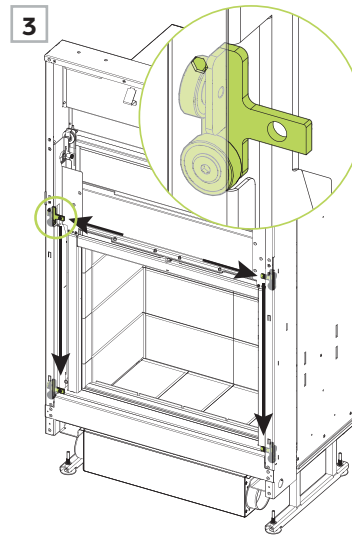


Step 1.3 Start by positioning the guide arms in the side slots of the fireplace. **This must be done before installing the firescreen.**

The guide arms can be placed at the bottom of the slots while the firescreen is being installed.

Step 1.4 Hold the firescreen with both hands and align the slots on the firescreen with those on the supports.

The next steps are shown on one side, but must be done **on both sides, symmetrically.**



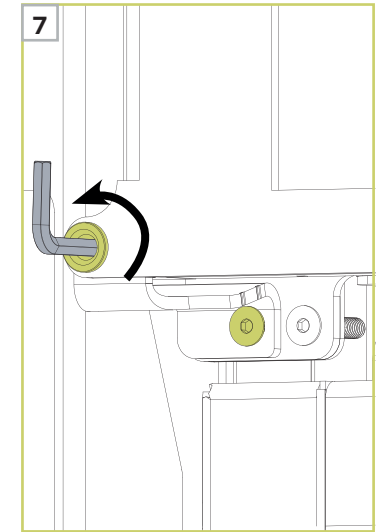
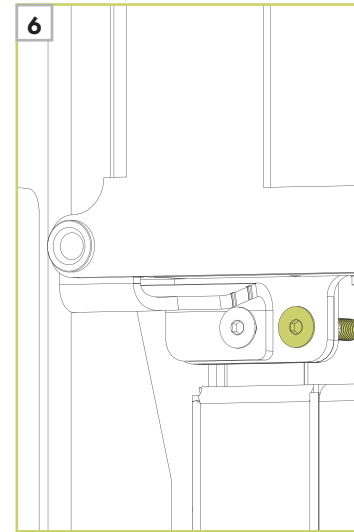
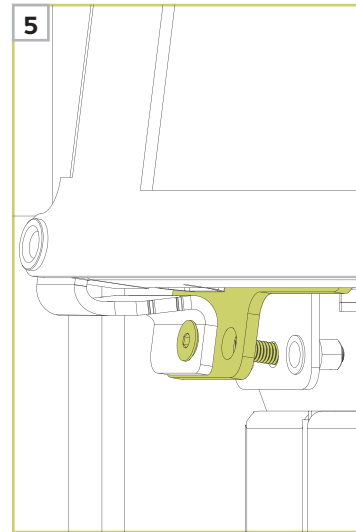
2.2 INSTALLING THE FIRESCREEN WHILE INSTALLING THE FIREPLACE



Step 1.5 While supporting the weight from below, slide the hanging screws into the holes on the fireplace upright to hold the firescreen in place.

Step 1.6 Align the screw holes on the firescreen and on the fireplace structure and affix using the provided screws.

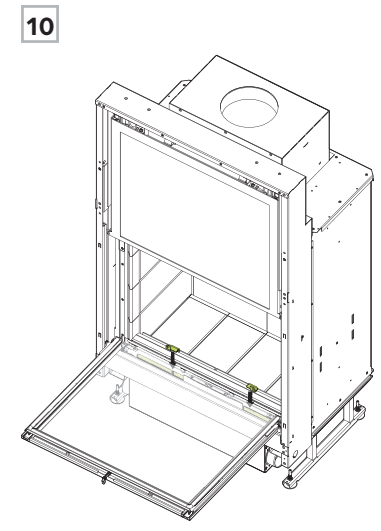
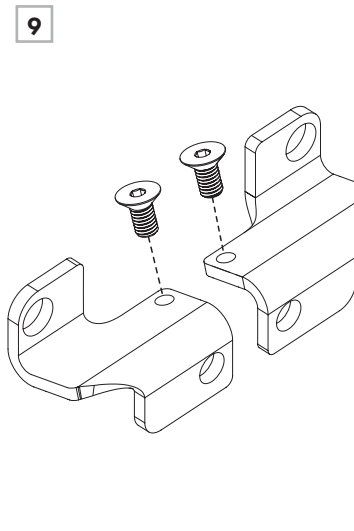
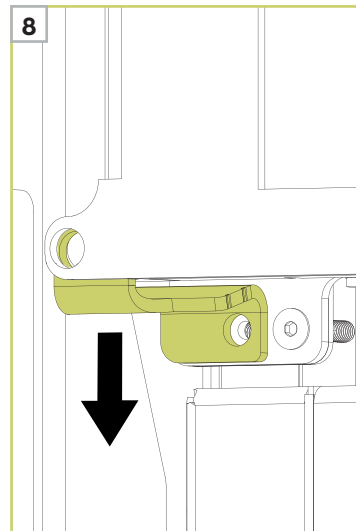
Step 1.7 Remove the hanging tool by unscrewing the screw and the handle cylinder.



Step 1.8 Remove the hanging tool. The tool and its screw must be kept in a safe place for conducting maintenance on the firescreen.

Step 1.9 Assemble the screws on the hanging tools.

Step 1.10 Open the door and put the assembled supports in the door channel.



2.2 INSTALLING THE FIRESCREEN WHILE INSTALLING THE FIREPLACE

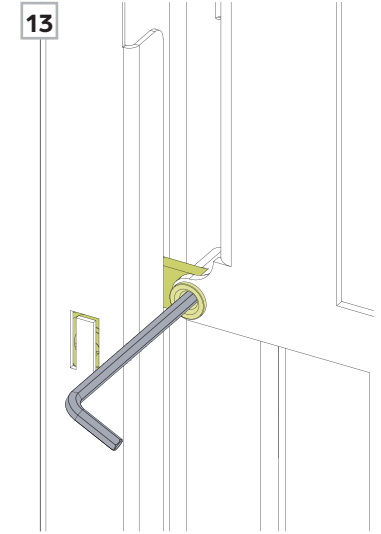
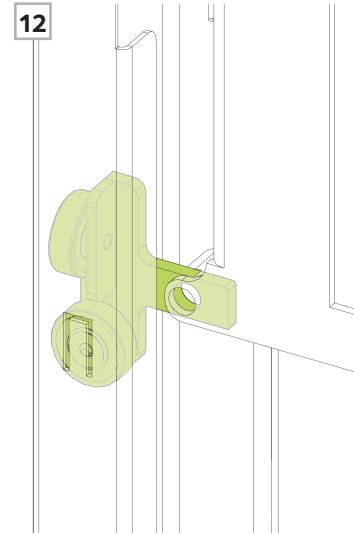
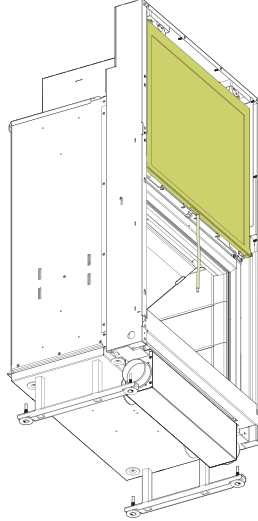


Step 1.11 Slide the end of the fireplace handle into the notch under the frame and pull down to lower the firescreen about a quarter of its height.

Step 1.12 Bring the guide arms up to the firescreen and slide the right side into the slot under the frame.

Step 1.13 Insert the handle cylinder on each side and screw in with a 4 mm hex key. Tighten as much as possible without forcing.

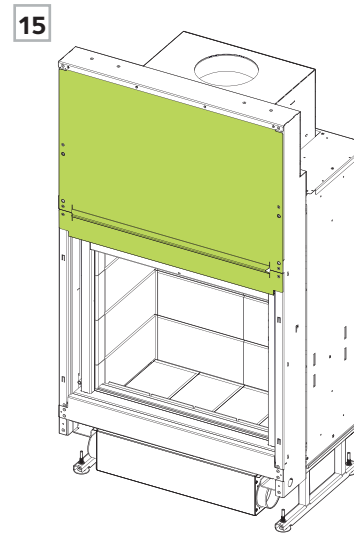
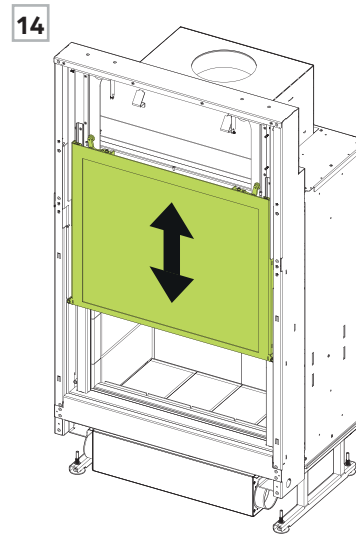
11 low-angle view



Step 1.14 Slide up and down a few times to check that it is working properly.

Step 1.15 Raise the firescreen. Put the front cover back on and screw it in.

Continue installing the Stûv 21 according to the instructions in the main installation manual.



2.3 INSTALLING THE FIRESCREEN AFTER THE FIREPLACE HAS BEEN INSTALLED



NOTE

If the fireplace is already installed and the wall is closed, follow these instructions.

If the removable firescreen supports are installed, they need to be removed. They will not be needed with the guillotine firescreen.

Step 2.1 Support the bushing bracket that is held by the outer screw of the support while removing the screws.

Step 2.2 Replace the bushing bracket screws only.

Step 2.3 Protect the sides of the fireplace

– Apply painter's masking tape on both vertical sides, leaving the slot free to slide the guide arm in it.

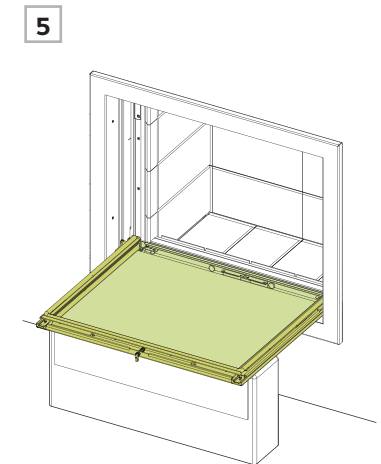
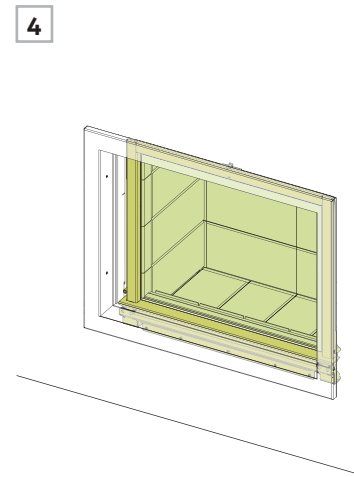
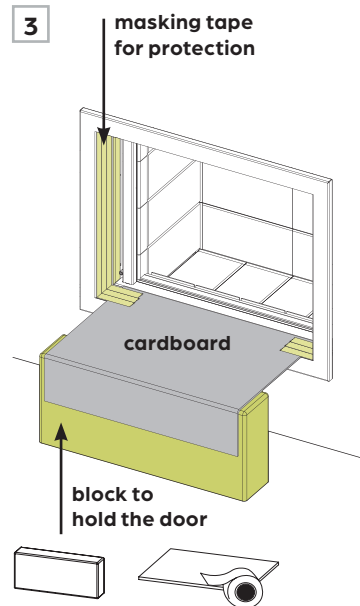
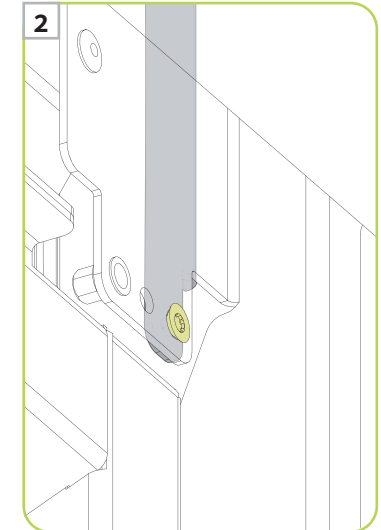
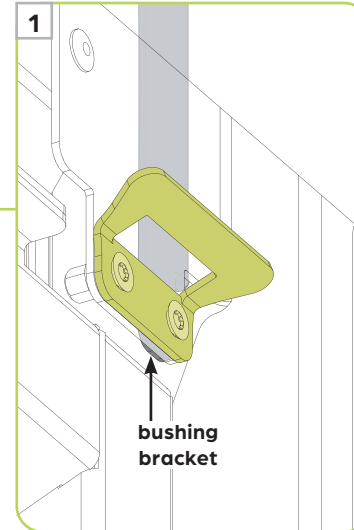
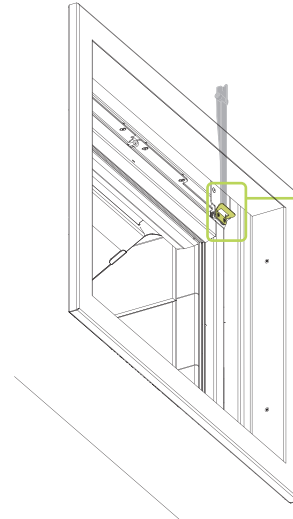
– **Do not apply tape on the cover plate.** Fix a cardboard on the area in front of the cover plate to protect it.

– Get a block to prop up the door.

Step 2.4 The door needs to be completely removed to install the firescreen. The next steps explain.

Step 2.5 Use the fireplace handle to unhook and to open the door all the way down.

low-angle view



2.3 INSTALLING THE FIRESCREEN AFTER THE FIREPLACE HAS BEEN INSTALLED

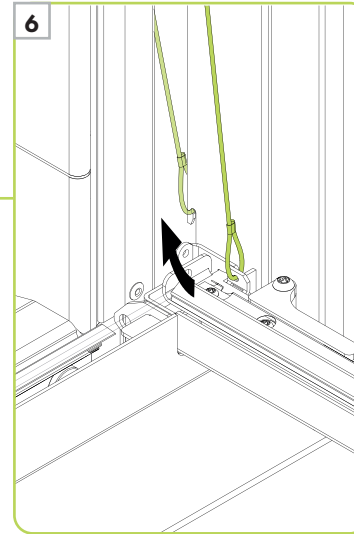
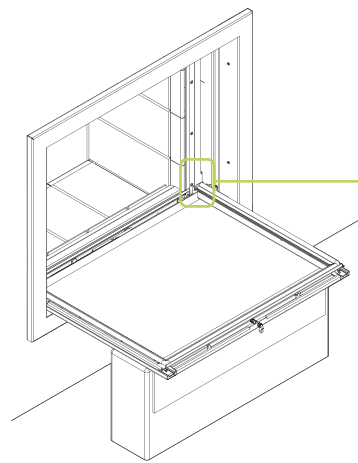


Step 2.6 Unhook the counterweight cables on the door and reattach them in *standby* mode on the lower sides of the unit.



ATTENTION

Hold the cable tightly as they are attached to counterweights that are quite heavy.

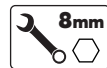
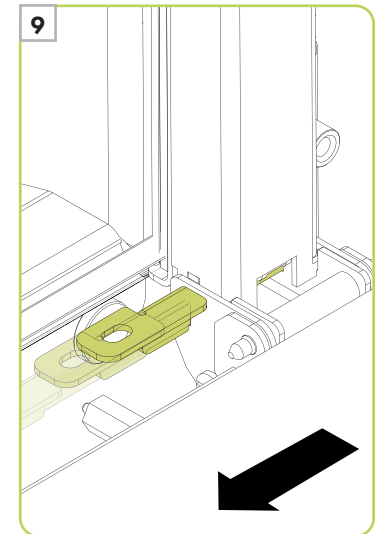
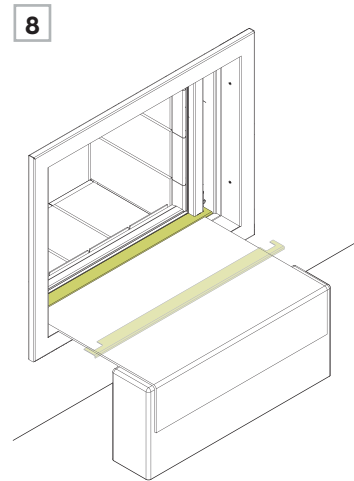
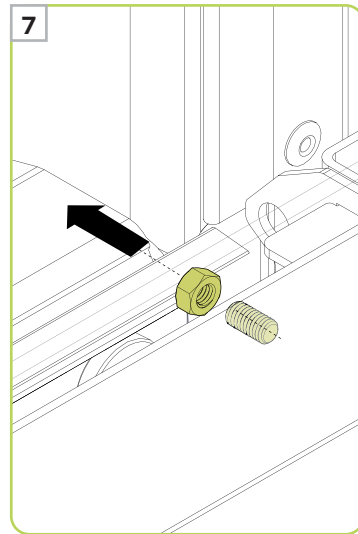


Step 2.7 Using an 8 mm ratchet spanner wrench, remove the two nuts holding the cover plate in place.

Step 2.8 Close the door and remove the cover plate.

Step 2.9 Using the fireplace handle, remove the keys to release the inner springs. Put them on the left and right side.

Note that the door will no longer be supported and will need to be propped up when opened.



2.3 INSTALLING THE FIRESCREEN AFTER THE FIREPLACE HAS BEEN INSTALLED



Step 2.10 Reopen the door and locate the nuts holding it in place. To see them more easily, shine a light in the opening.

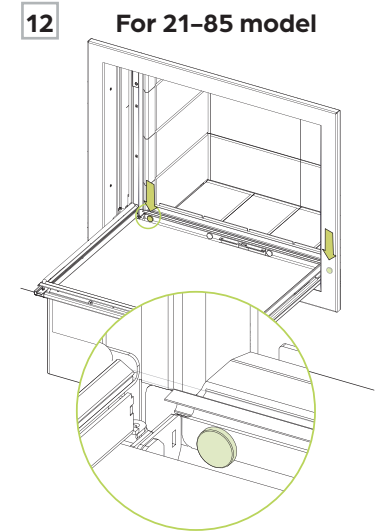
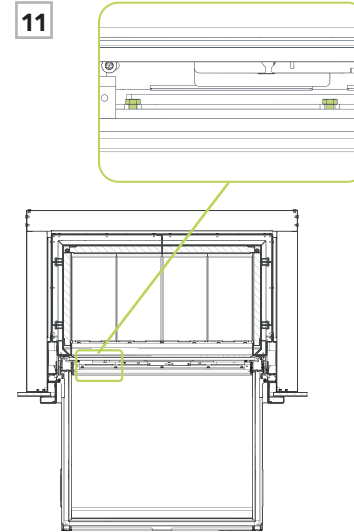
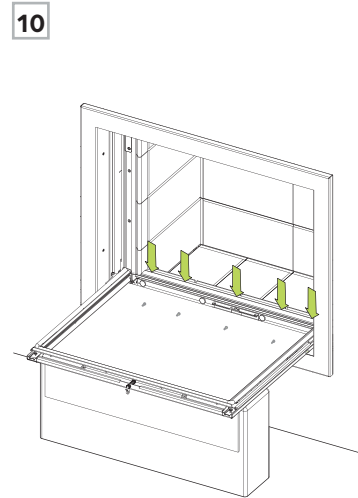
Step 2.11 Using an 8 mm ratchet wrench, loosen but do not completely remove all the nuts, being sure to support the door to keep it from falling.

Number of nuts:

21-85 / 21-95 / 21-105 5 nuts

21-125 8 nuts

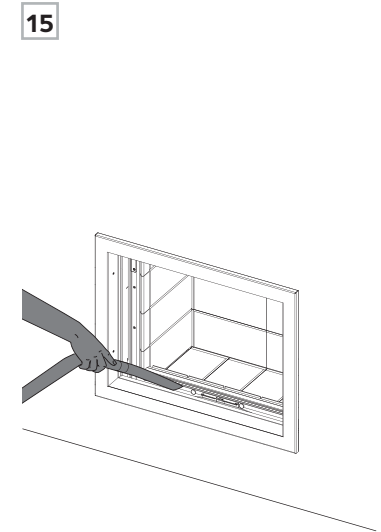
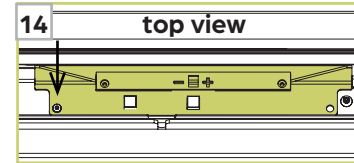
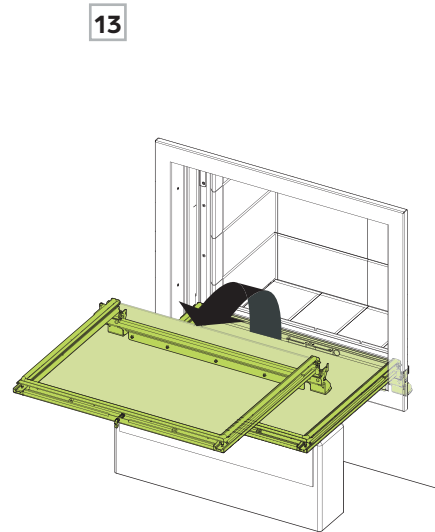
Step 2.12 For 21-85 model, manually unscrew the knurled thumb nuts blocking the passage of the door adjusters.



Step 2.13 With the help of another person, remove the door and put it in a safe place.

Step 2.14 Unscrew and remove the damper control cover plate.

Step 2.15 Vacuum up the ashes to free up the space.



2.3 INSTALLING THE FIRESCREEN AFTER THE FIREPLACE HAS BEEN INSTALLED



i ATTENTION

The next step is important. The firescreen will need to be uninstalled if that has not already been done.

Step 2.16 Take the guide arms out of the box and identify the left and the right. See page 5.

Step 2.17 There is an opening at the top of the upright that will allow the corresponding arm to be inserted on each side.

Step 2.18 Leave the guide arms at the bottom of their slot until their installation.

i FRAGILE PAINT

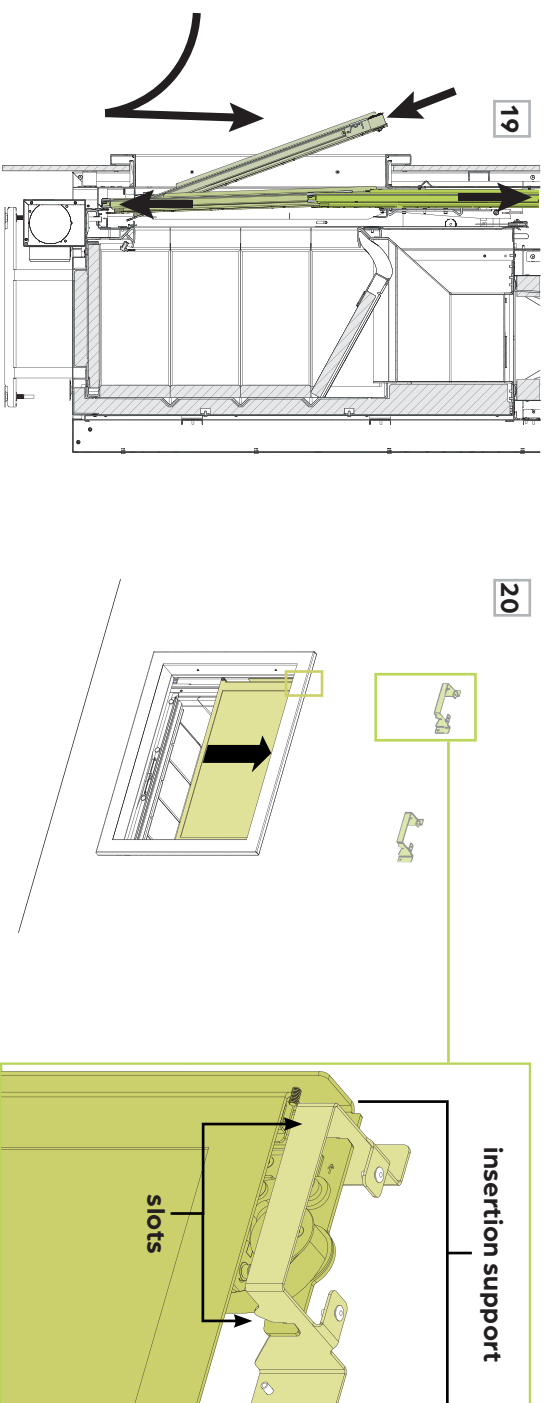
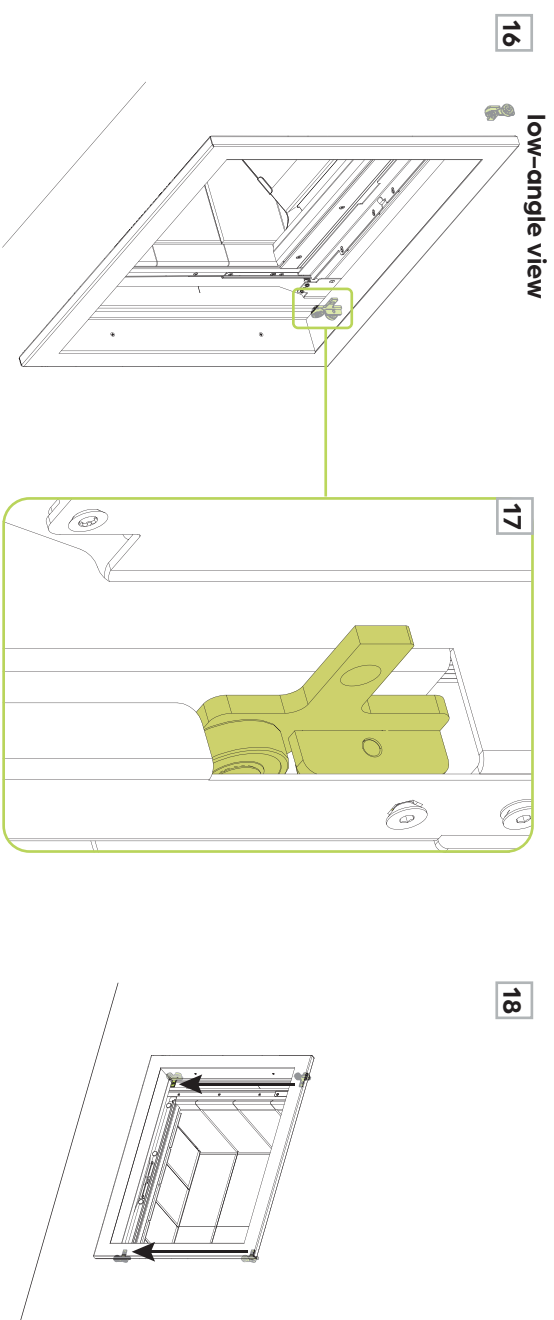
Handle with care.

Removing the door opens a space at the bottom of the fireplace in which you will be inserting the firescreen.

Step 2.19 Hold the top and bottom of the firescreen to angle it toward the door housing.

Remove the hand underneath to lower the firescreen and then straighten it (vertically). Align then lift the firescreen into the gap at the top of the fireplace.

Step 2.20 Slowly raise the firescreen until its slots slide into those on the insertion supports.



2.3 INSTALLING THE FIRESCREEN AFTER THE FIREPLACE HAS BEEN INSTALLED



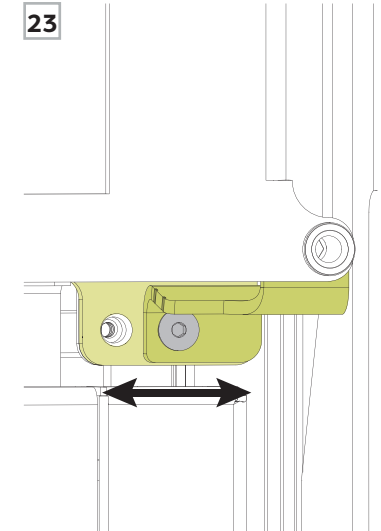
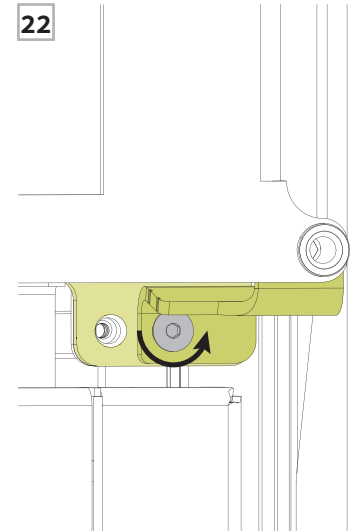
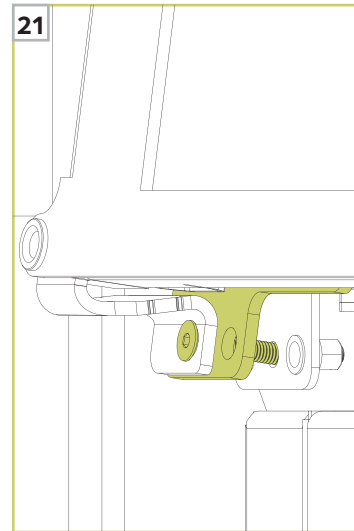
Step 2.21 While supporting the weight from below, push the retaining support screws into the center holes on the fireplace upright to hold the firescreen in place.

This screw is a support for the firescreen to hold it during the fastening.

Step 2.22 If only one side is in place, loosen the other one to help place the screw in the other central hole.

Step 2.23 Move the bracket from side to side to align the retaining screw in the other central hole.

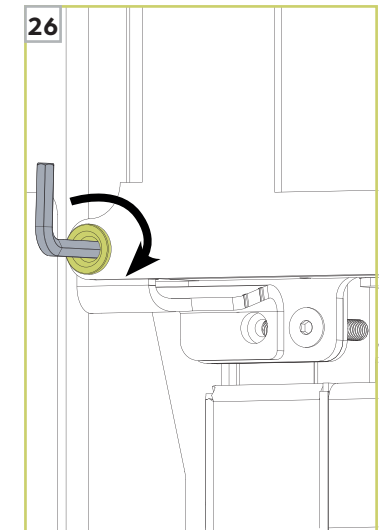
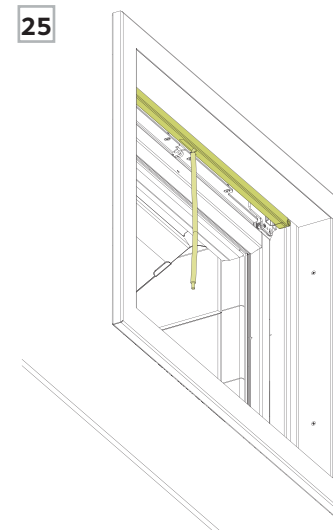
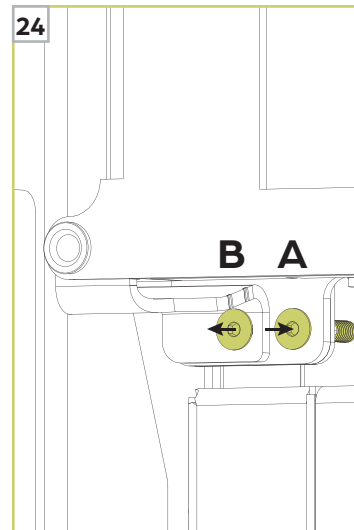
Use a screwdriver on the side of the bracket as a lever if needed.



Step 2.24 Once the brackets have been aligned with the fireplace structure, affix using the screws (A). Remove the central screw (B) holding the retaining piece.

Step 2.25 Slide the end of the fireplace handle into the notch under the firescreen and pull down to slightly lower the screen.

Step 2.26 Remove the handle cylinder and set it aside for the next steps.



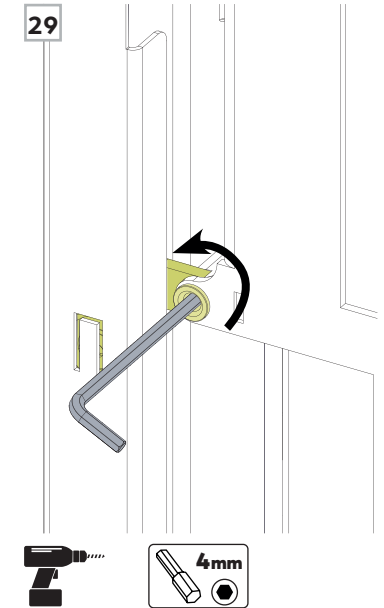
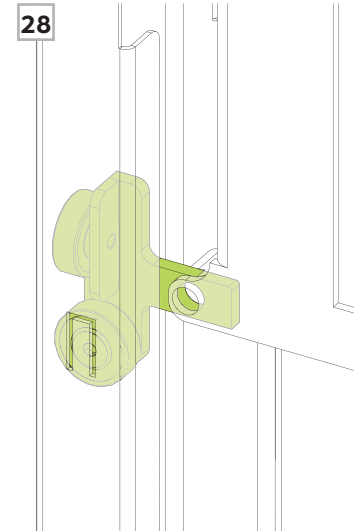
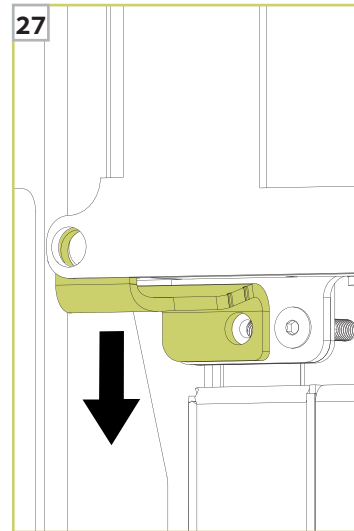
2.3 INSTALLING THE FIRESCREEN AFTER THE FIREPLACE HAS BEEN INSTALLED



Step 2.27 Remove the hanging tool. The tool and its screw must be kept in a safe place for conducting maintenance on the firescreen.

Step 2.28 Bring the guide arms up to the firescreen and slide the end into the slot under the frame.

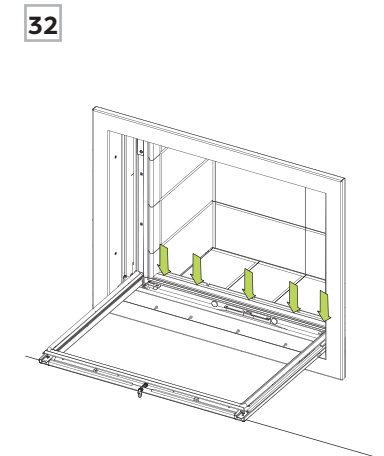
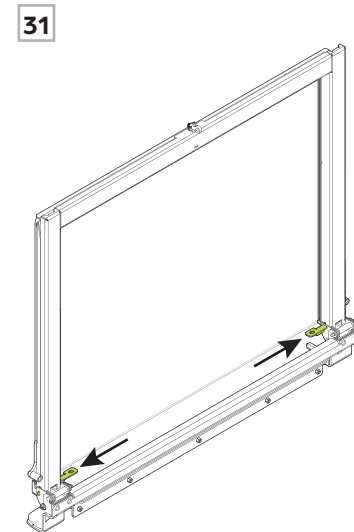
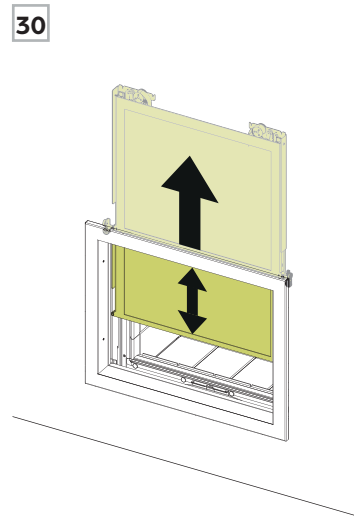
Step 2.29 Insert the handle cylinder and secure with a 4 mm hex key.



Step 2.30 Slide up and down a few times to check that it is working properly, then fully raise the firescreen.

Step 2.31 Reinstall the two inner spring keys on the door while it is still down.

Step 2.32 Reinstall the door using the nuts you previously loosened. Tighten each nut almost all the way.



2.3 INSTALLING THE FIRESCREEN AFTER THE FIREPLACE HAS BEEN INSTALLED

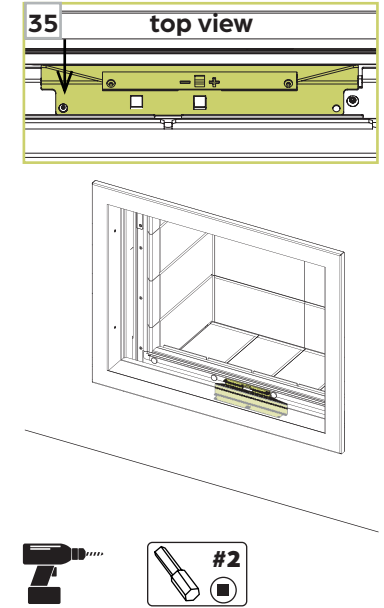
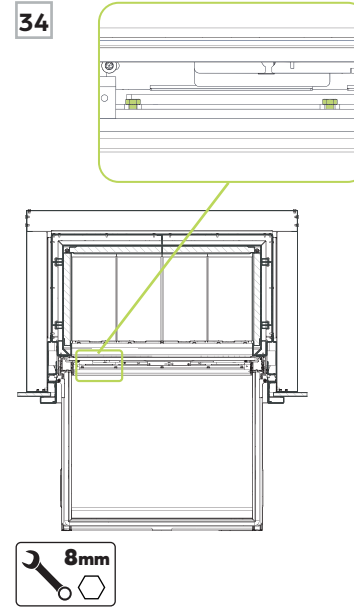
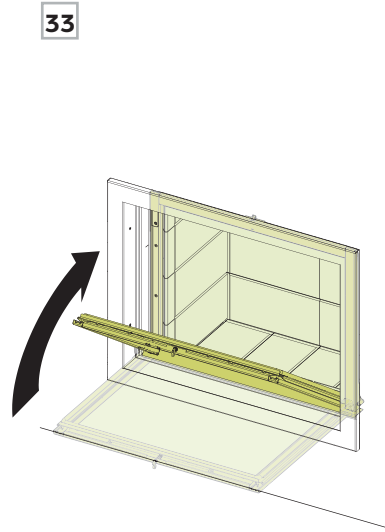


Step 2.33 Close the door and check its alignment. **Caution :** Be sure to support the door as the counterweights will not hold its weight.

Step 2.34 Tighten the nuts until the door is perfectly level. Loosen and readjust as necessary

For 21-85 model, screw back the knurled thumb nuts.

Step 2.35 Reinstall the damper control in the door housing and screw it back into the hole on the left.



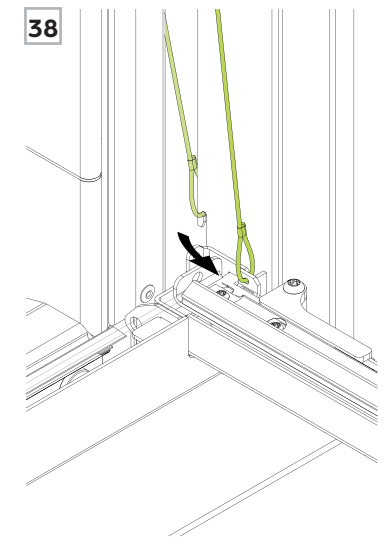
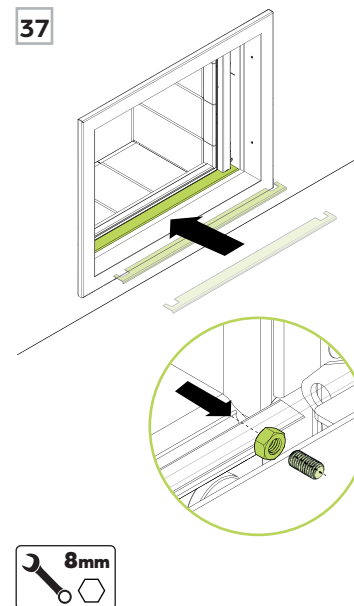
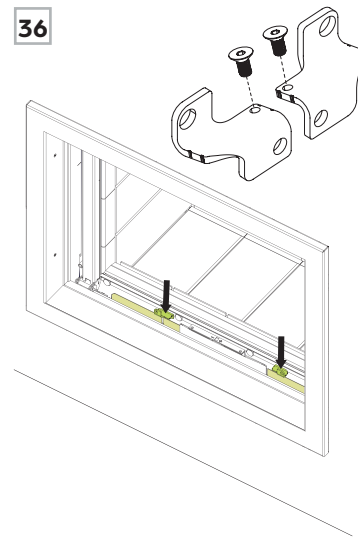
Step 2.36 Take the hanging tool previously removed, attach the screws on them and place them in the door channel.

Step 2.37 Reinstall the fireplace cover plate. Screw the nuts back in place.

Step 2.38 Attach the counterweight cables to the door.

! ATTENTION

Hold the cable tightly as they are attached to counterweights that are quite heavy.





3

USE

3.1 THREE HEIGHTS 17

3.1 THREE HEIGHTS



The firescreen can be fixed at **three predefined heights**. During installation, the firescreen will be in maintenance mode.

1. Open fire mode

To operate the unit without the glass in front of the fire, the open fire mode is required to prevent falling embers and logs. The firescreen must be lowered to the cover plate by inserting the fire handle into the cylinder handle.

2. Maintenance mode

This position is used to tilt the door, when the fireplace is being cleaned, and when not in use.

To get out of maintenance mode,

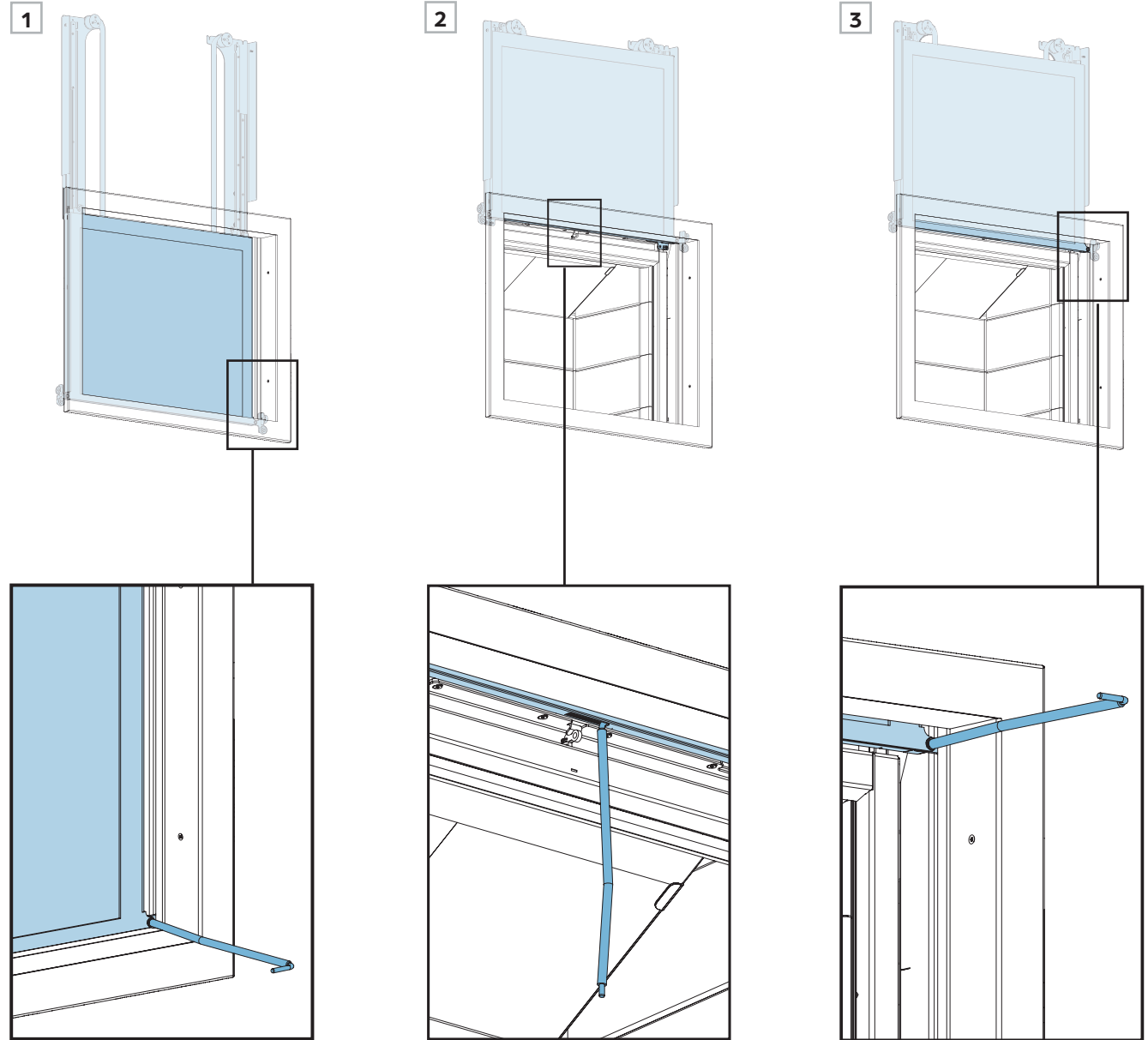
slide the curved tip of the fire handle into the opening under the frame and pull downward.

To put the firescreen into maintenance mode, manually push the firescreen upward, considering that the cylinder handle will not be accessible.

3. Recharging mode

To start a fire or add logs, secure the firescreen in recharging mode to ensure its stability. To put it into this position, lift the cylinder handle with the fire handle to the top of the fireplace door, keeping the bottom of the firescreen visible.

Recharging mode allows access to the cylinder handle and the ability to raise and lower the glass pane to adjust air supply while starting a fire.





4

MAINTENANCE

- 4.1 REMOVING THE DOOR 19
- 4.2 REMOVING THE FIRESCREEN 21
- 4.3 REPLACING COMPONENTS..... 22
- 4.4 REASSEMBLY 26

4.1 REMOVING THE DOOR



! ATTENTION

It is advisable that maintenance be conducted by two people.



Step 1 Push the firescreen all the way up to clear the door opening.

Step 2 Protect the sides of the fireplace

– Apply painter's masking tape on both vertical sides, leaving the slot free to slide the guide arm in it.

– Do not apply tape on the cover plate.

Fix a cardboard on the area in front of the cover plate to protect it.

– Get a block to prop up the door.

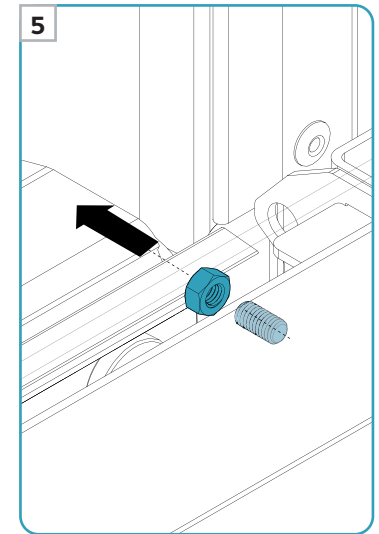
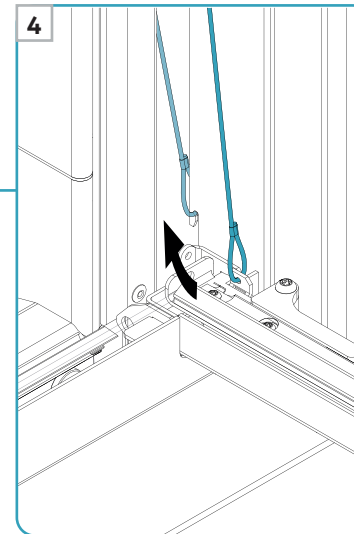
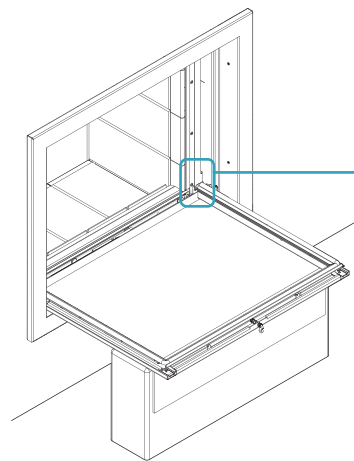
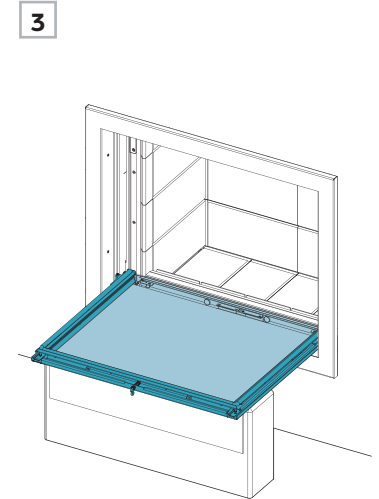
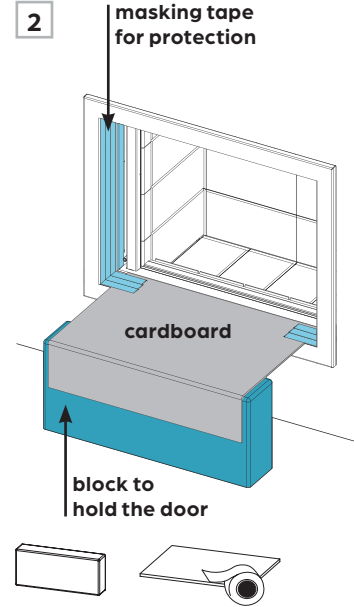
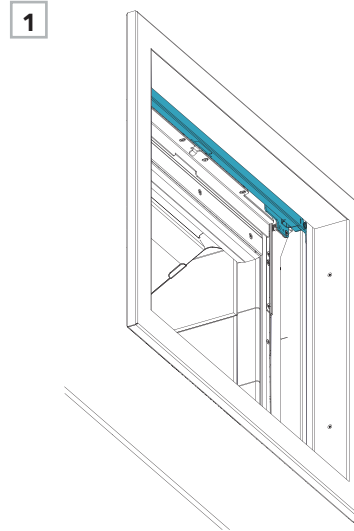
Step 3 Use the fireplace handle to slide the door all the way down.

Step 4 Unhook the counterweight cables on the door and reattach them in *standby* mode on the lower sides of the unit.

! ATTENTION

Hold the cable tightly as they are attached to counterweights that are quite heavy.

Step 5 Using an 8 mm ratchet spanner wrench, remove the two nuts holding the cover plate in place.



4.1 REMOVING THE DOOR



Step 6 Close the door to lift and remove the cover plate.

Step 7 Using the fireplace handle, remove the keys to release the return springs.

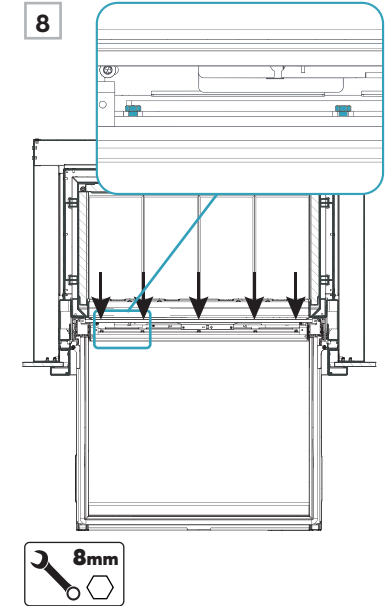
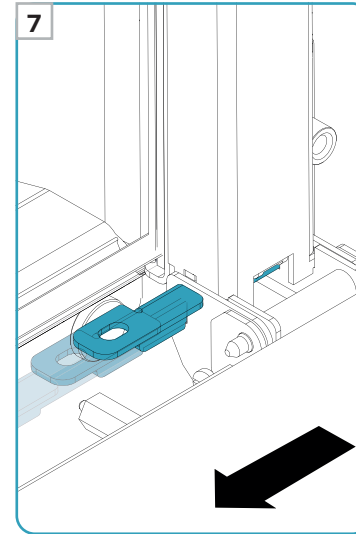
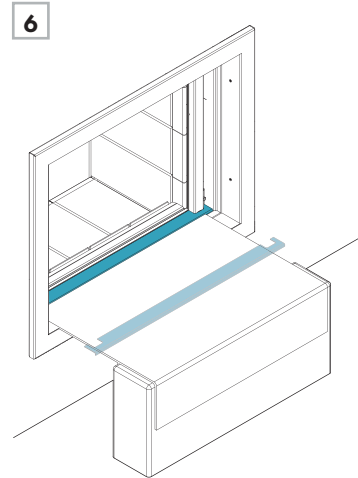
Step 8 Reopen the door and locate the nuts holding it in place. To see them more easily, shine a light in the opening.

Using an 8 mm ratchet wrench, loosen but do not completely remove all the nuts, being sure to support the door to keep it from falling.

Number of nuts:

21-85 / 21-95 / 21-105 5 nuts

21-125 8 nuts



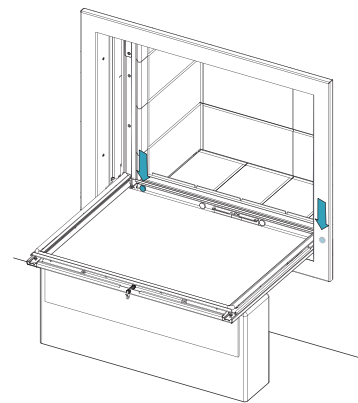
Step 9 For 21-85 model, manually unscrew the knurled thumb nuts blocking the passage of the door adjusters.

Step 10 With the help of another person, remove the door and put it in a safe place.

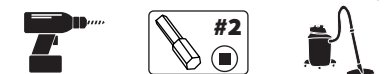
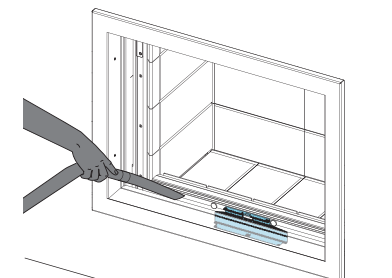
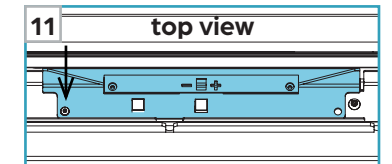
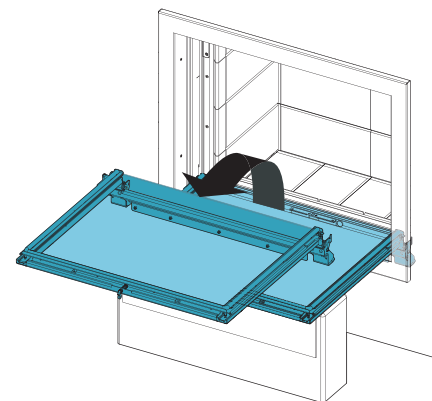
Step 11 Unscrew and remove the damper control cover.

If the fireplace has already been used, vacuum up the ashes to free up the space.

9 for 21-85 model



10



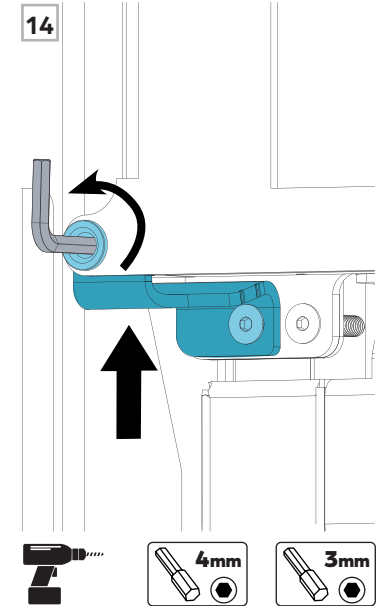
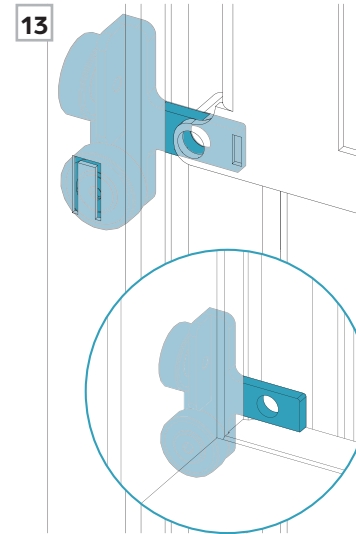
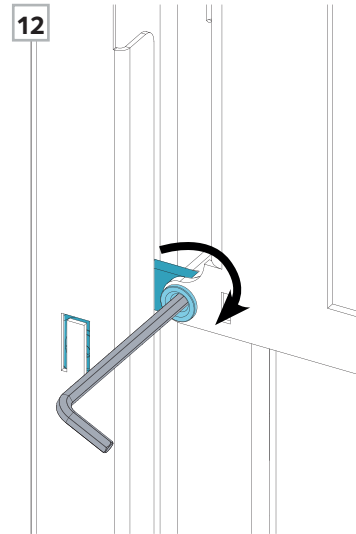
4.2 REMOVING THE FIRESCREEN



Step 12 Unscrew the handle cylinder to separate the guiding system from the firescreen.

Step 13 Place the guide arms at the bottom of the fireplace opening until the firescreen is reinstalled.

Step 14 Install the firescreen's retaining piece and screw the handle cylinder and the screw back in.

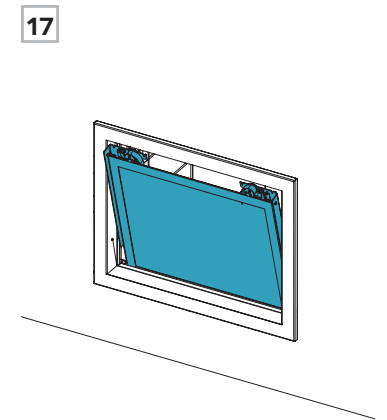
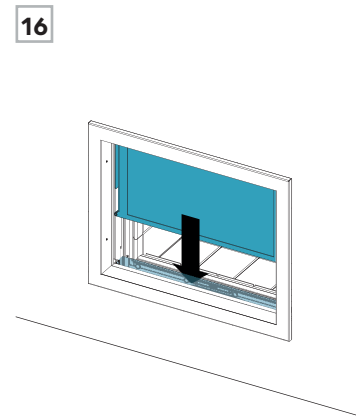
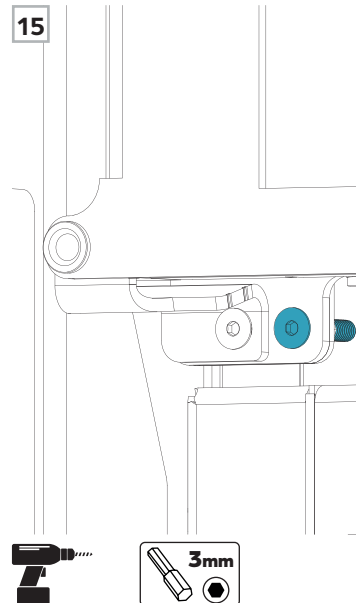


! FRAGILE PAINT
Handle with care.

Step 15 Support the centre of the firescreen and loosen the screws holding it in place.

Step 16 Slowly lower the firescreen into the space that was created when you removed the door.

Step 17 When the entire system is visible, tilt the top outward and lift to remove.





WORKPLACE

1 Select a work surface that is large enough to hold the entire firescreen and place all the disassembled components around it.

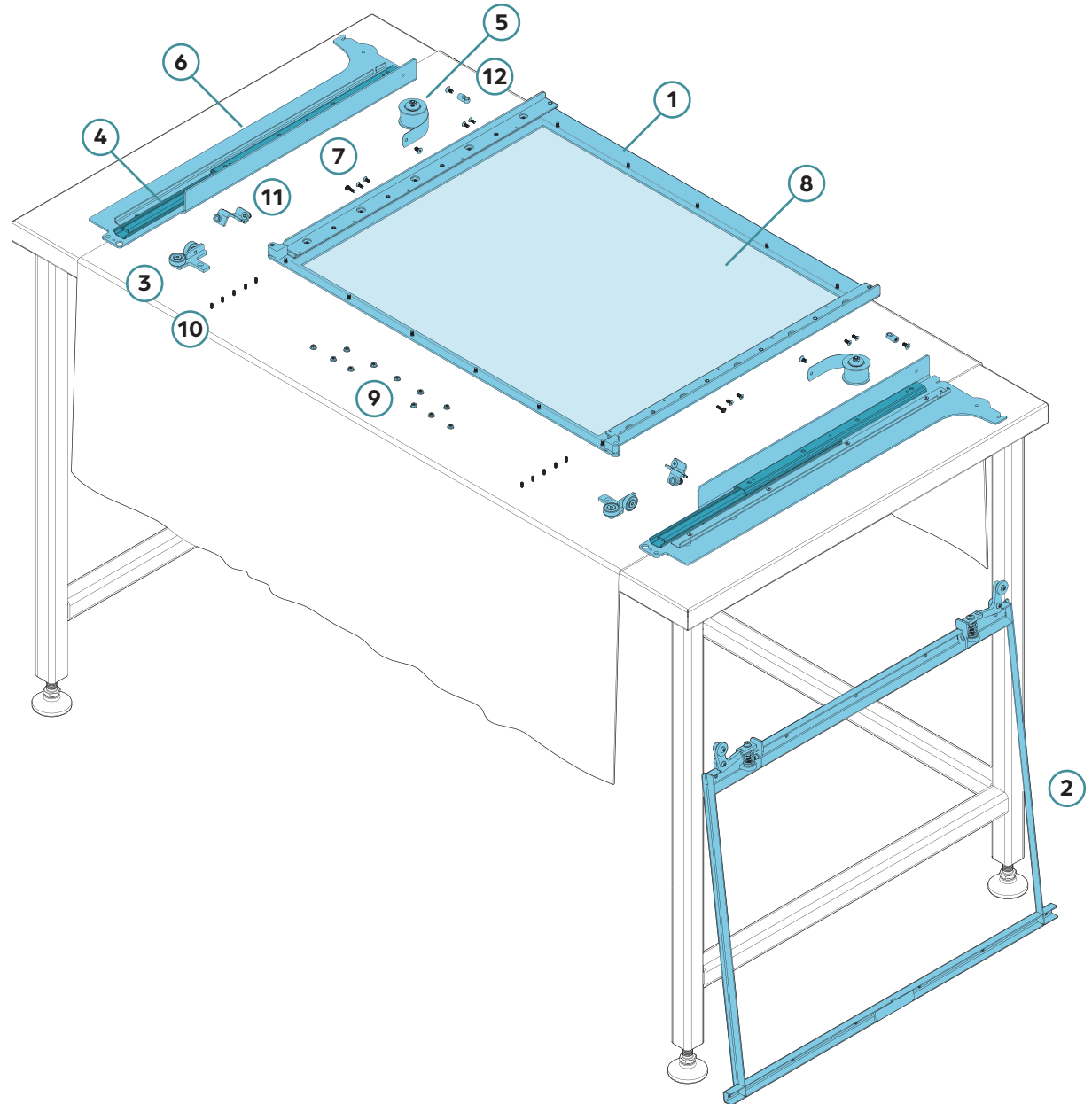
2 Cover the work surface with a protective cloth.

3 Place the disassembled components as shown to facilitate reassembly.

4 The steps are shown for the left side but need to be completed on both sides, symmetrically.

COMPONENTS

- 1** Frame
- 2** Counter-frame
- 3** **2x** Guide arm assembly
- 4** **2x** Slide
- 5** **2x** Spring assembly
- 6** **2x** Slide system
- 7** **8x** Slide screw
- 8** Mesh
- 9** **11x** Counter-frame nut
- 10** **5x** Headless screw for the mesh
- 11** **2x** Hanging tools
- 12** **2x** Frame stop screw



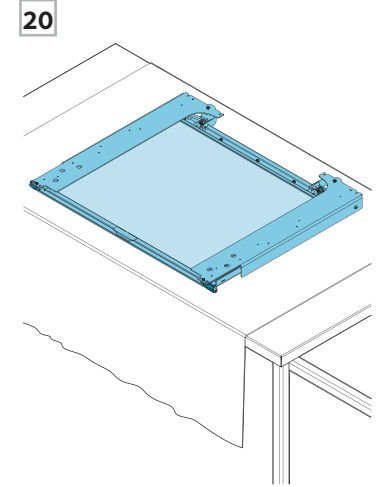
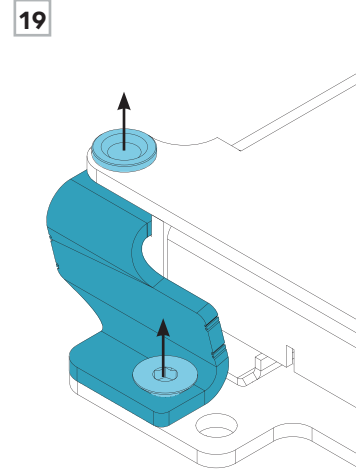
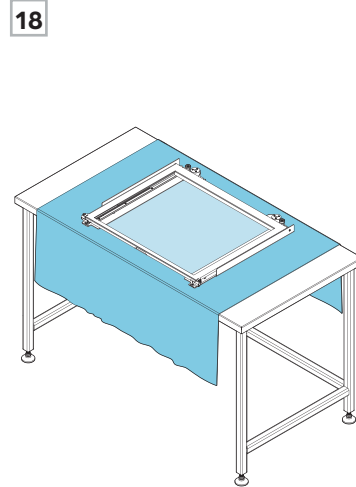


NOTE
No shortcuts are possible. Il n'est pas possible de prendre un raccourci.
 The following next are shown in the mandatory order and some components need to be removed even if they don't need to be replaced. Perform each step symmetrically.

Step 18 Place the firescreen flat on the slide supports.

Step 19 To change the slides or the mesh, remove the retaining piece by unscrewing the handle cylinder and the screw.

Step 20 Turn the firescreen on its front.



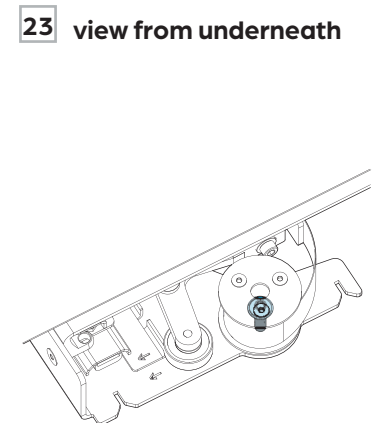
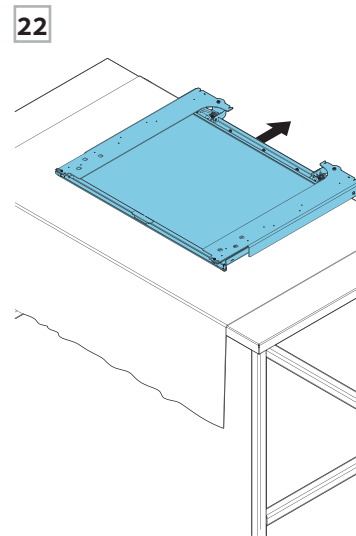
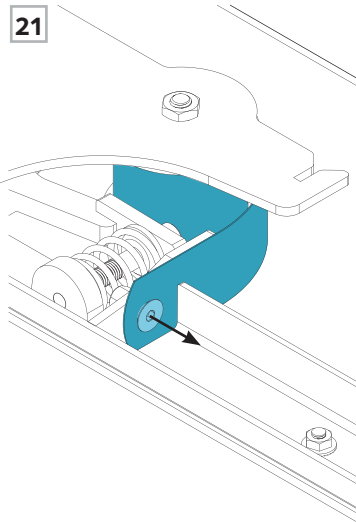
CONSTANT-FORCE SPRING

Step 21 Remove the screw to release the spring, being sure to hold the spring to keep it from retracting too quickly. Remove the spring leaf from the slot.

Step 22 Slide the firescreen over the edge of the work surface to access the front of the constant-force spring.

Step 23 Locate the centre of the spring and insert a hex key to remove it.

If only the spring needed to be changed, go to reassembly.



4.3 REPLACING COMPONENTS

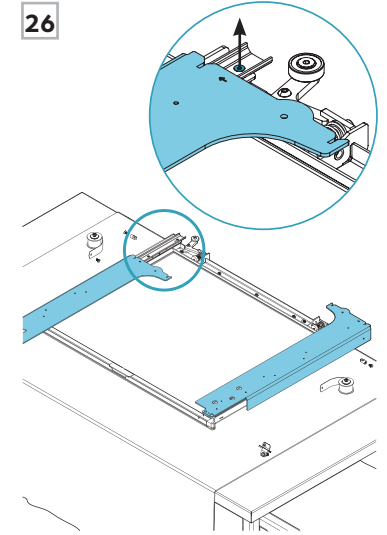
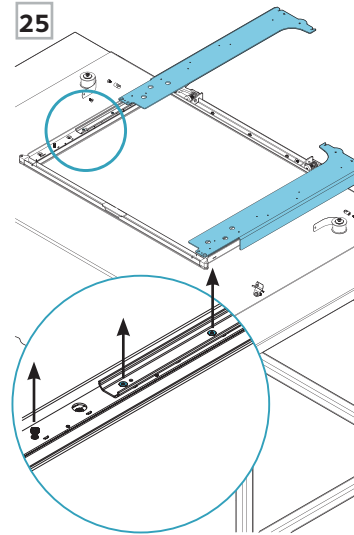
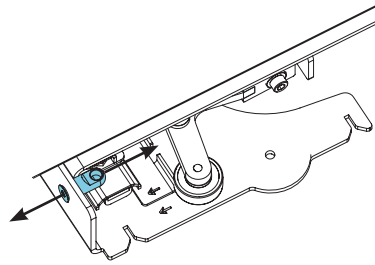


Step 24 Remove the stopper and its screw on the side of the firescreen.

Step 25 Push the system up to remove the socket head screw and the two flat head screws holding the slide. **Hold the firescreen to keep it from tipping over.**

Step 26 Extend the slide system to the other side and remove the other screw holding the firescreen.

24 view from underneath



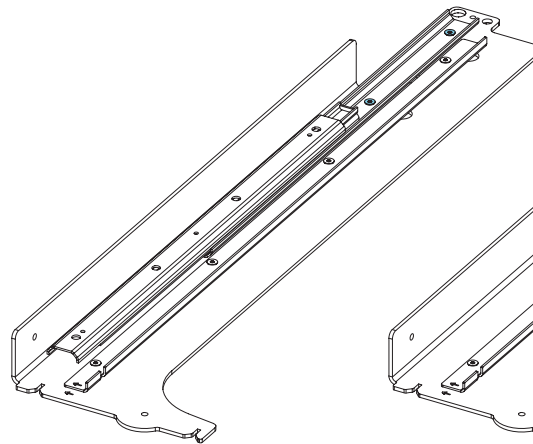
SLIDES

Step 27 Only if the slide needs to be changed: unscrew the four screws attaching it to its support by sliding it from one side to the other.

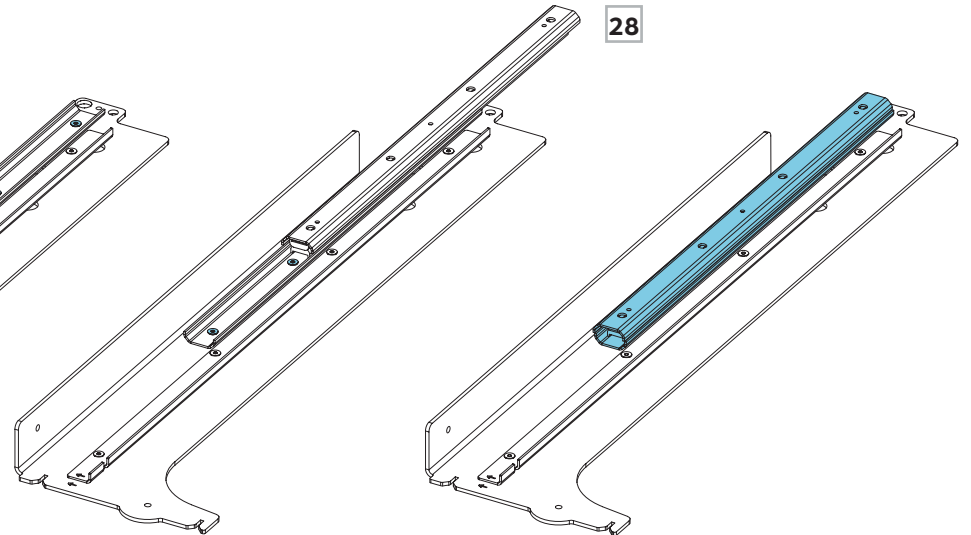
Step 28 Install the new slide on its support with the four screws. Check that it is working properly by sliding it back and forth a few times.

If the slide was the only part that needed to be changed, go to reassembly.

27



28



4.3 REPLACING COMPONENTS

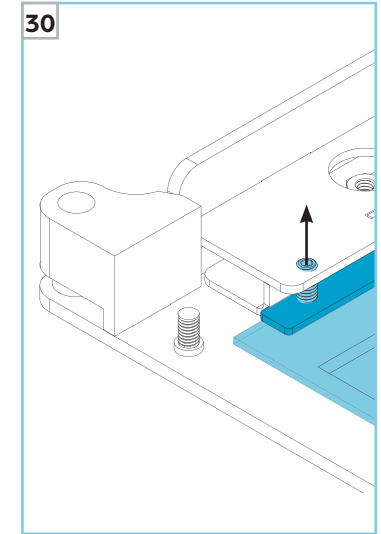
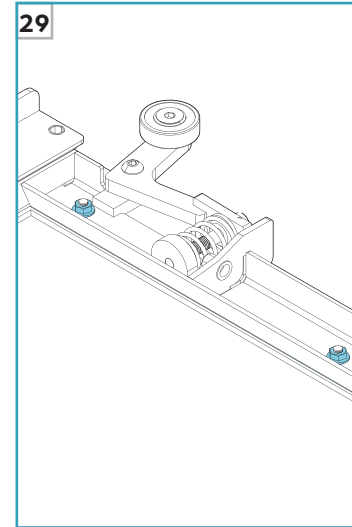
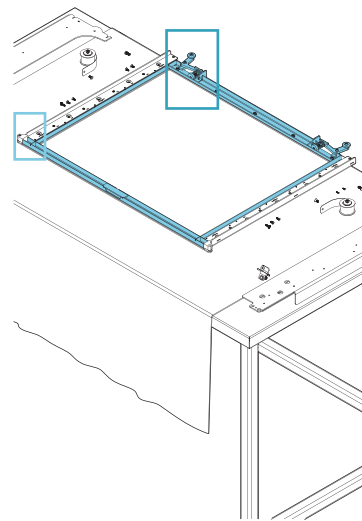


MESH

Step 29 If the wire mesh needs to be changed, unscrew the flanged nuts in the top and bottom crosspieces of the counter-frame to separate it from the frame.

Set aside the counter-frame.

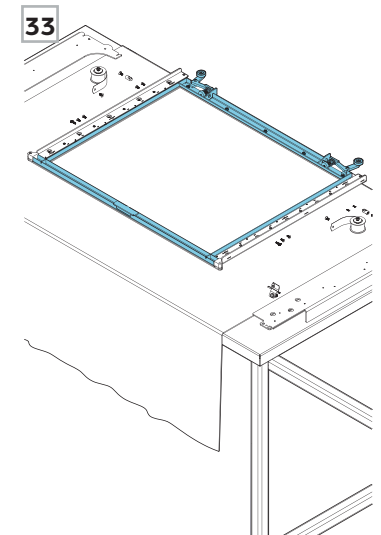
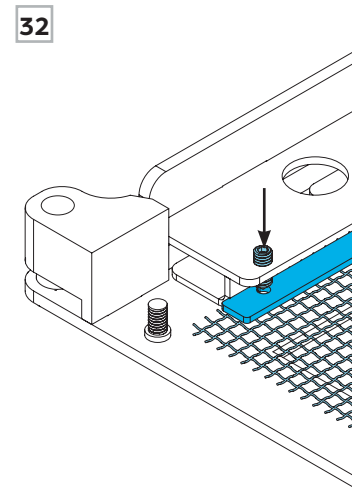
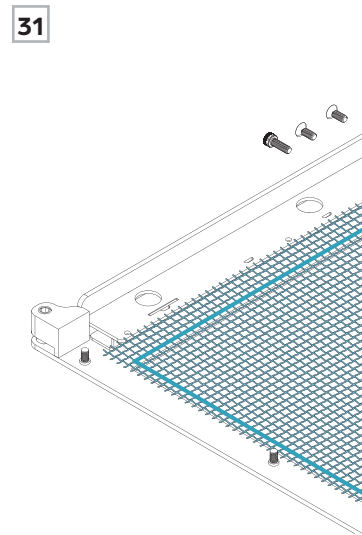
Step 30 Unscrew the headless screws to release the wire mesh.



Step 31 Install the new mesh and align it as straight as possible with the frame.

Step 32 Place the mesh holder under the tip of the headless screws and screw each of them in a hole of the holder.

Step 33 Reinstall the counter-frame and the flanged nuts.

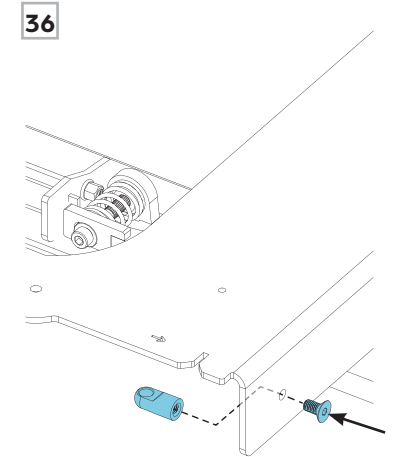
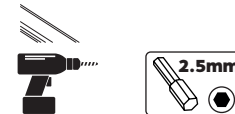
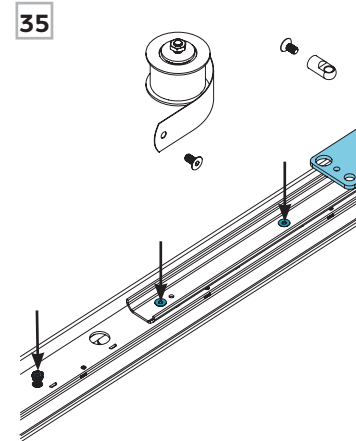
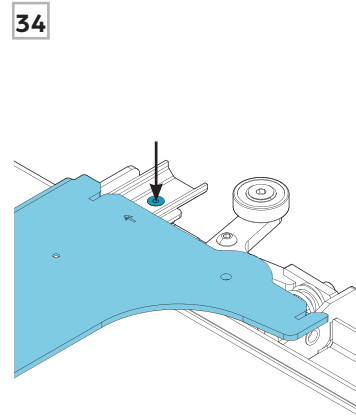




Step 34 Attach the slide with its first screw by extending the slide system downward.

Step 35 Slide the support to the other side to access the other three screws. The socket head screw should not be screw to the end. It must stop the central part of the slide.

Step 36 Reassemble the superior stopper, placing it vertically.



CONSTANT-FORCE SPRING

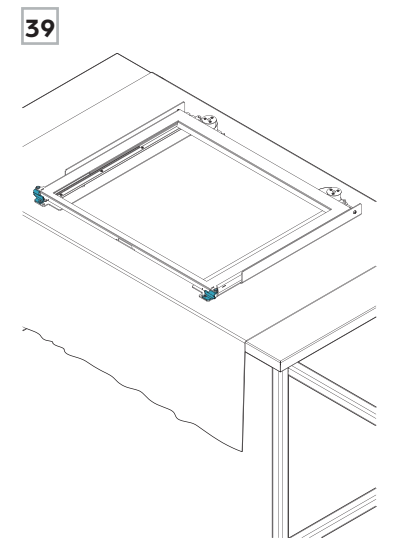
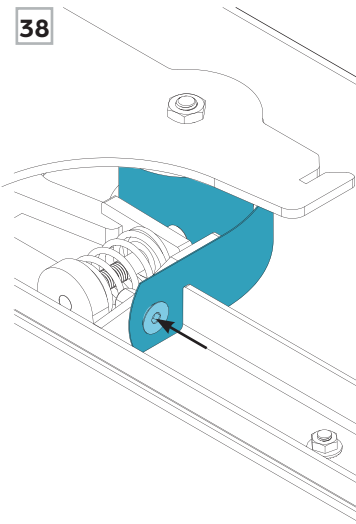
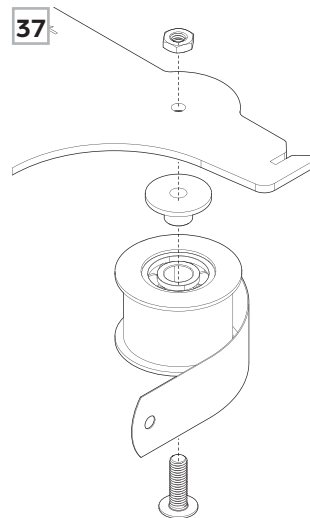
Gloves are recommended when reinstalling the spring assembly.

Step 37 Reinstall the spring assembly on the support.

Step 38 Slide the end of the spring into the counter-frame slot and affix.

Step 39 Turn the firescreen over to reinstall the retaining piece. Do not tighten the cylinder. It would bend the frame.

Follow the steps in the Installation section to install the firescreen.



WARRANTY COVERAGE

This Stûv accessory is guaranteed against:

- manufacturing defects
- paint defects on the visible parts of the accessory
- shipping-related damage if we are notified within 48 hours of delivery and the damage is noted on the carrier's bill of lading when the accessory is received (website)

This warranty does not cover damage to the appliance or malfunctions due to:

- installation that does not comply with the applicable regulations or the installation instructions
- abnormal use that does not comply with the directions for use
- lack of maintenance
- an external cause, such as a flood, lightning strike, fire, etc.

The warranty is limited to replacing the parts deemed defective and does not include labour or damages.

Duration of the warranty:

- 1 year on the sliding mechanisms.

The warranty period begins on the date of the dealer's invoice to the buyer. The replacement of parts under warranty does not extend the duration of the initial warranty.

When an item is defective, it is important to quickly notify an authorized Stûv dealer. They will contact Stûv America to fill out the warranty form. They will need:

- the date the accessory was purchased
- an explanation of the defective item
- photos of the defective item

With this information, Stûv America will be able to validate whether the part is covered by the warranty and judge the relevance of changing it. The dealer will also be in charge of installing the new part.

CERTIFICATE OF WARRANTY

This Stûv accessory has been designed to offer you maximum pleasure, comfort and safety. It has been manufactured with the utmost care using quality materials and components to provide years of trouble-free operation.

Should you notice a defect in spite of this care, we commit to rectifying the situation. However, as a user, you also have an important role to play in getting the satisfaction you expect from your Stûv.

We strongly recommend:

- having the accessory installed by a qualified professional who can ensure that the installation and the integrity of the appliance and the accessories are in compliance with the certifications and the building code,
- carefully reading the operating and maintenance instructions.

THE DEALER

Company: _____

Name: _____

Address: _____

Tel no.: _____

THE INSTALLER

I, the undersigned, _____
 declare that the above-mentioned appliance has been installed in compliance with the existing regulations and in accordance with the technical recommendations in the installation instructions.

Date: _____

Signature: _____

Company: _____

Name: _____

Address: _____

Tel no.: _____

THE BUYER

Name: _____

Address of installation: _____

Email: _____

Tel no.: _____

PLEASE FILL OUT THIS FORM AND SEND IT TO US VIA:

Stûv America Inc.

34, Boulevard de l'Aéroport
 Bromont, Québec J2L 1S6, Canada

Email: info@stuvamerica.com

Tel.: +1 -866-487-7888

Fax: +1 -514-528-9538



Stûv fireplaces are designed and
manufactured by:

Stûv sa – Belgique
stuv.com

Rue Jules Borbouse n°4 B-5170
Bois-de-Villers

This accessory is designed and
manufactured by :

Stûv America inc. – Canada
stuvamerica.com

34, Boulevard de l'Aéroport
Bromont Qc Canada J2L 1S6

1-514-396-3463 | 1-866-487-7888