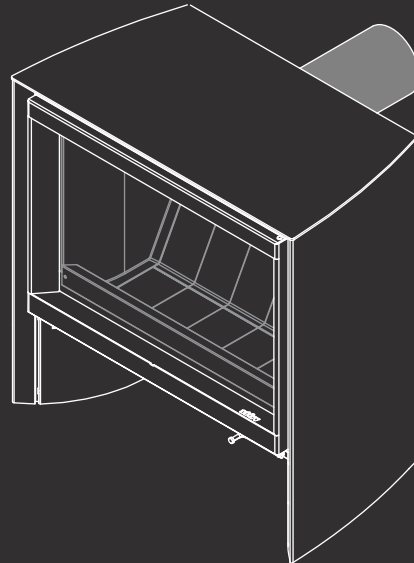


REAR SMOKE OUTLET s[6]H

ADDITIONAL MANUAL

Save these instructions for future reference



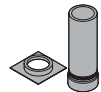
REQUIRED MATERIAL



Impact drill



10 mm
hex socket



Chimney kit
(flex ou rigid)



Pliers



Hammer



Cutting pliers



IMPORTANT

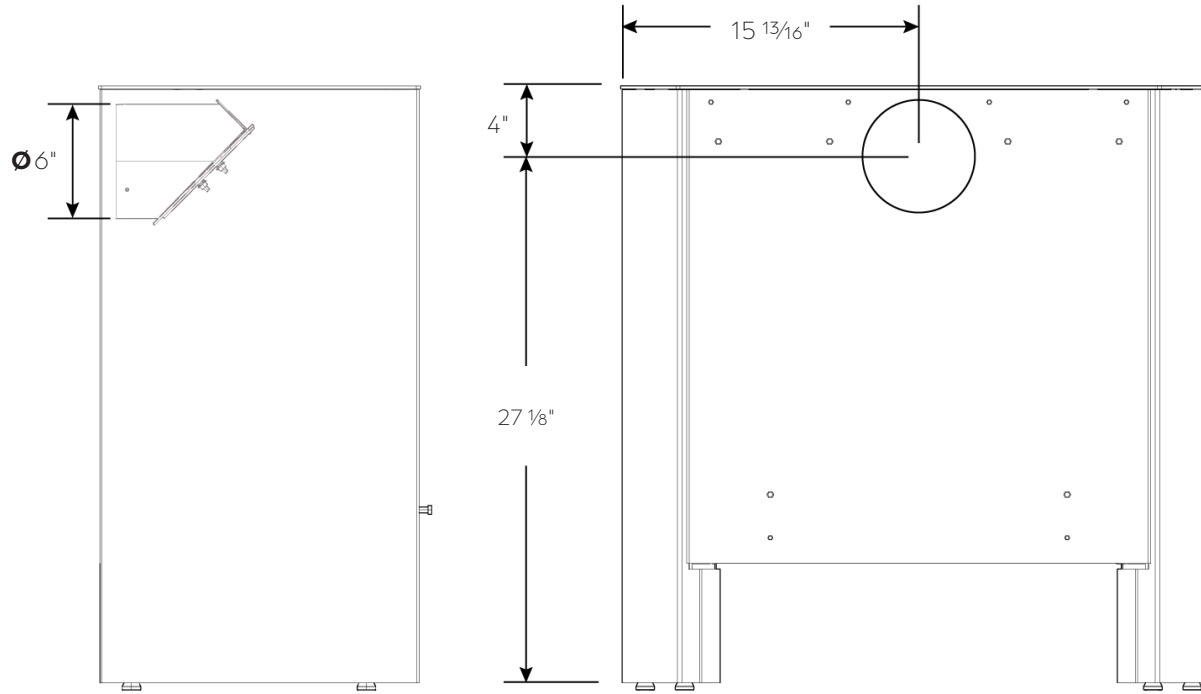
This document is an additional manual to the **s[6]H** installation manual. For a successful installation, it is important to follow these instructions carefully.

1.1 DIMENSIONS



AIR INLET AND SMOKE OUTLET - BACK

Installation p.23 and 30



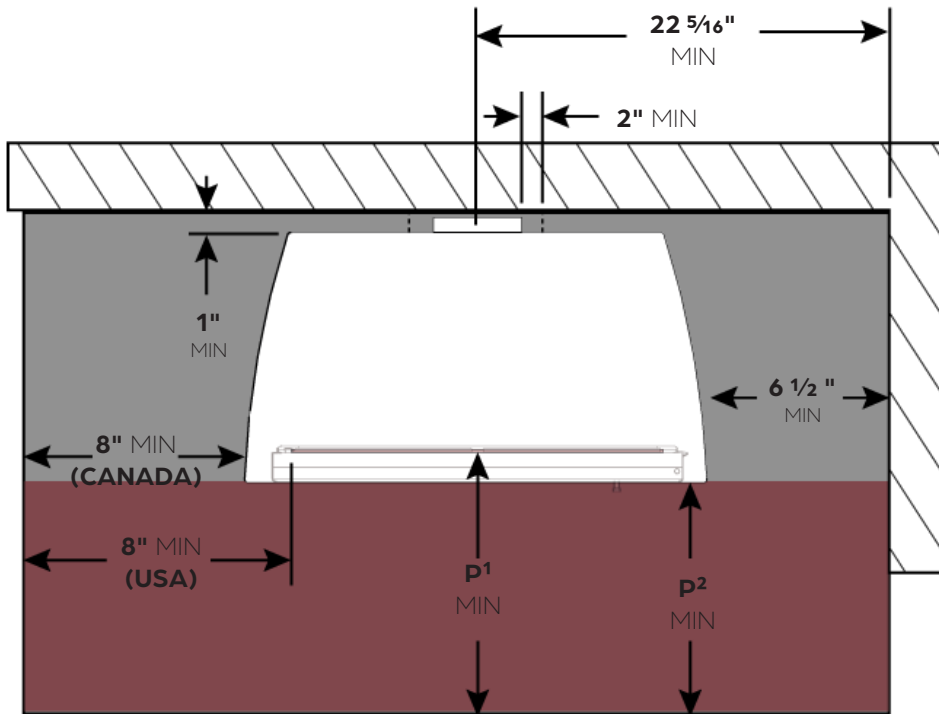
SIDE VIEW

BACK VIEW

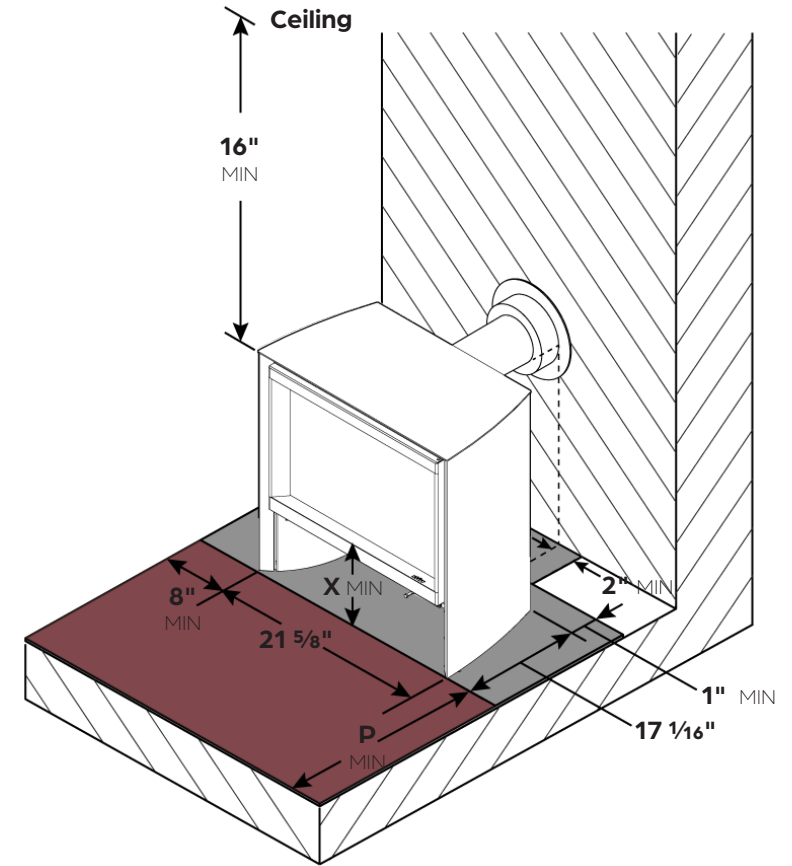
1.2 MINIMUM CLEARANCES



TOP VIEW (OUTSIDE ALCOVE)



FLOOR PROTECTION



! ATTENTION

See the main notice for all the details on mandatory clearances according to your country.

When the chimney is installed at the back of the stove, a floor protection is mandatory under the chimney and 2" on each side of the chimney.

Where an appliance is installed less than 200 mm (8 in) from a wall the ember pad need only extend to the base of the wall.

In an alcove installation, the clearances of the unit have to comply with the main instructions (**3.3 Minimum Clearances - Alcove**). The clearance at the back of the unit cannot be reduced.

COUNTRY	X	R-VALUE	P ¹ MIN	P ² MIN
Canada	n/a	0	18"	16"
United States	11" à 17"	1.5	16"	14"
	17"	0	16"	14"



OPTION : REAR SMOKE OUTLET

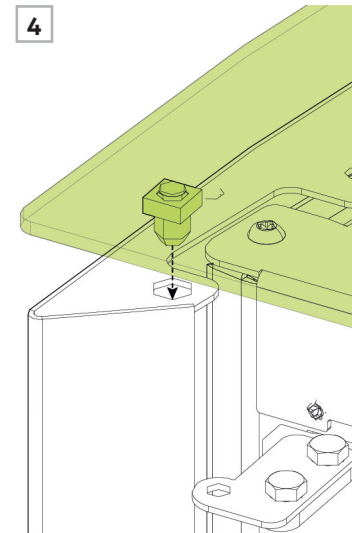
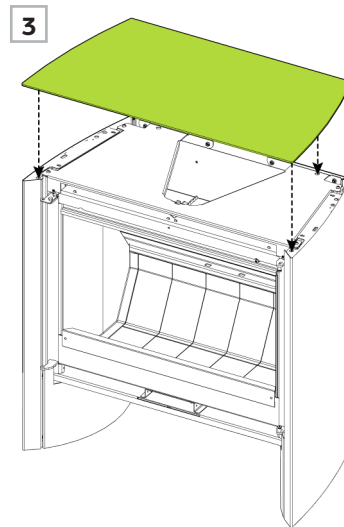
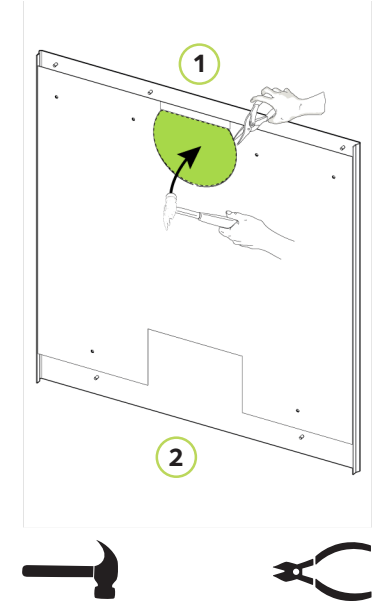
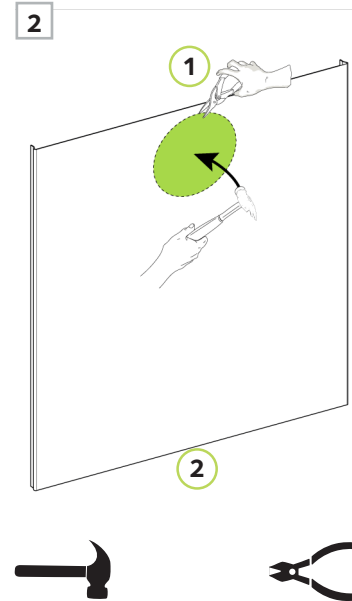
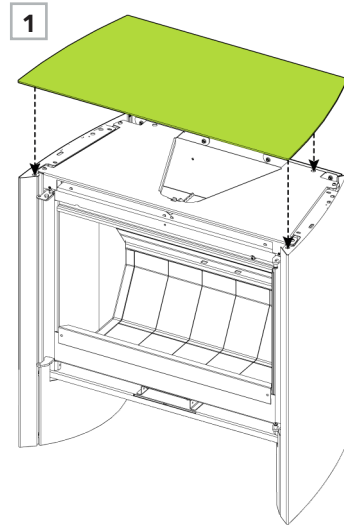
Step 1 Make sure you have purchased the appropriate top plate required for this type of installation.

Follow the main instructions up to the step of the upper shelf positioning.

Step 2 Prepare the two rear panels according to the selected configuration (rear smoke outlet).

Step 3 Unpack and install the finishing top plate.

Step 4 Position the top using the alignment pins.



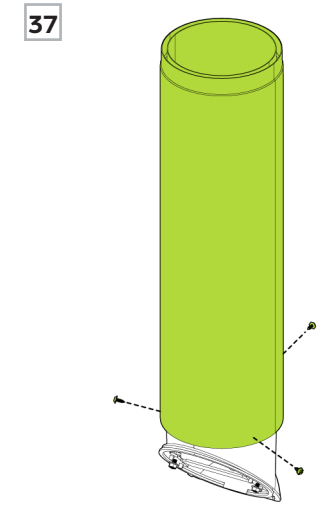
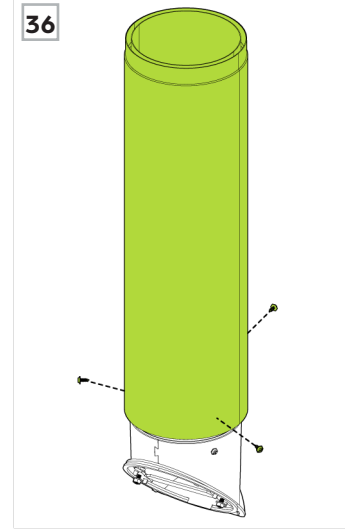
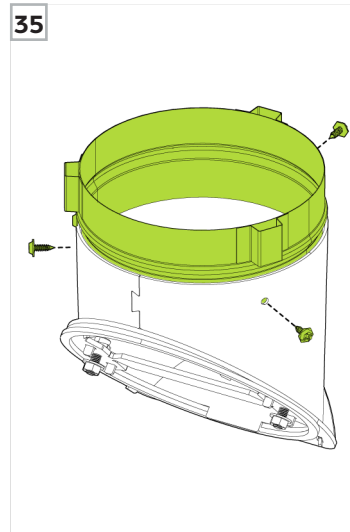


Prepare the smoke outlet to reinstall it on the stove. Two methods are possible to connect the smoke outlet: with and without an adaptor.

Step 35 Slide the adaptor in the smoke outlet and align the holes. Screw the two parts together to join them.

Step 36 Place the first chimney section on the adaptor and screw.

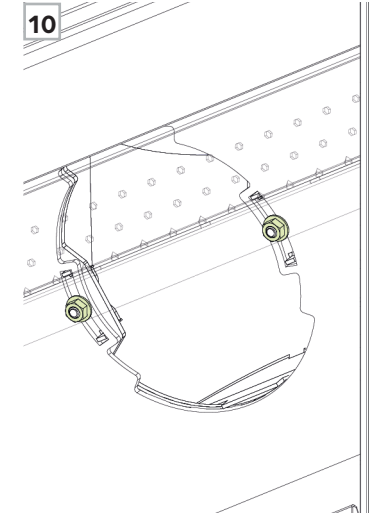
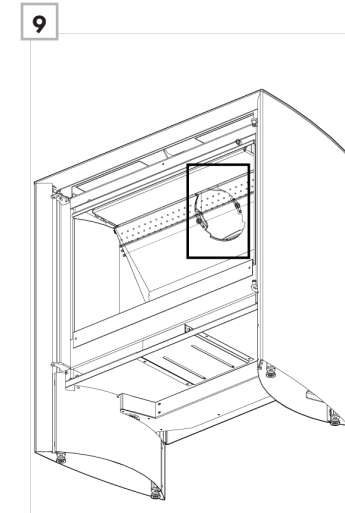
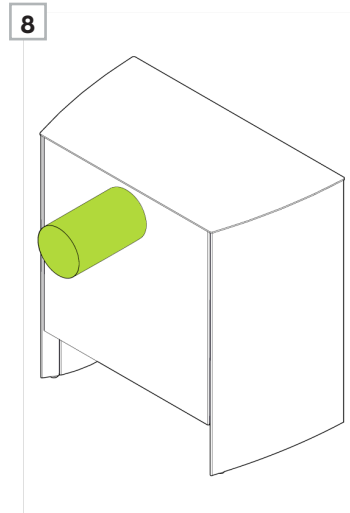
Step 37 If the adaptor has not been chosen, insert the screws in the first chimney section and align with the holes on the smoke outlet. Place those screws only to center the holes. Do not tighten too much, to not deform the chimney.



Step 8 Insert the chimney assembly from the back of the unit.

Step 9 Position the studs in the slots.

Step 10 Centre the tabs in the slots and affix the nuts on the studs of the smoke outlet.



**ATTENTION**

In addition to all requirements listed in the main manual, the chimney must have a minimum **vertical length** for this type of installation

