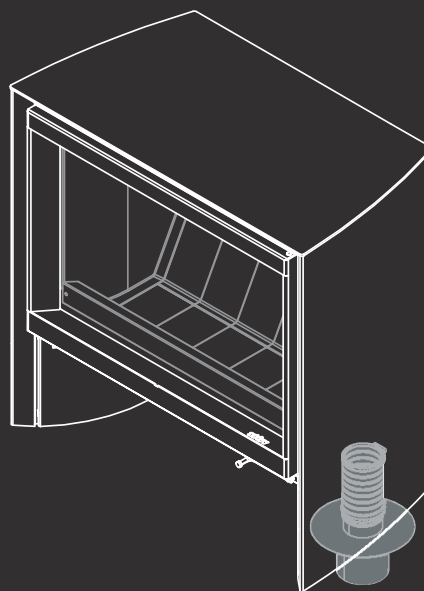


# OUTSIDE AIR INTAKE CONNECTOR s[6]H

## INSTALLATION MANUAL



### REQUIRED MATERIALS



Hammer



Drill driver

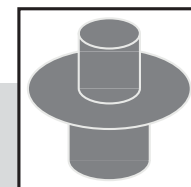


Cutting pliers



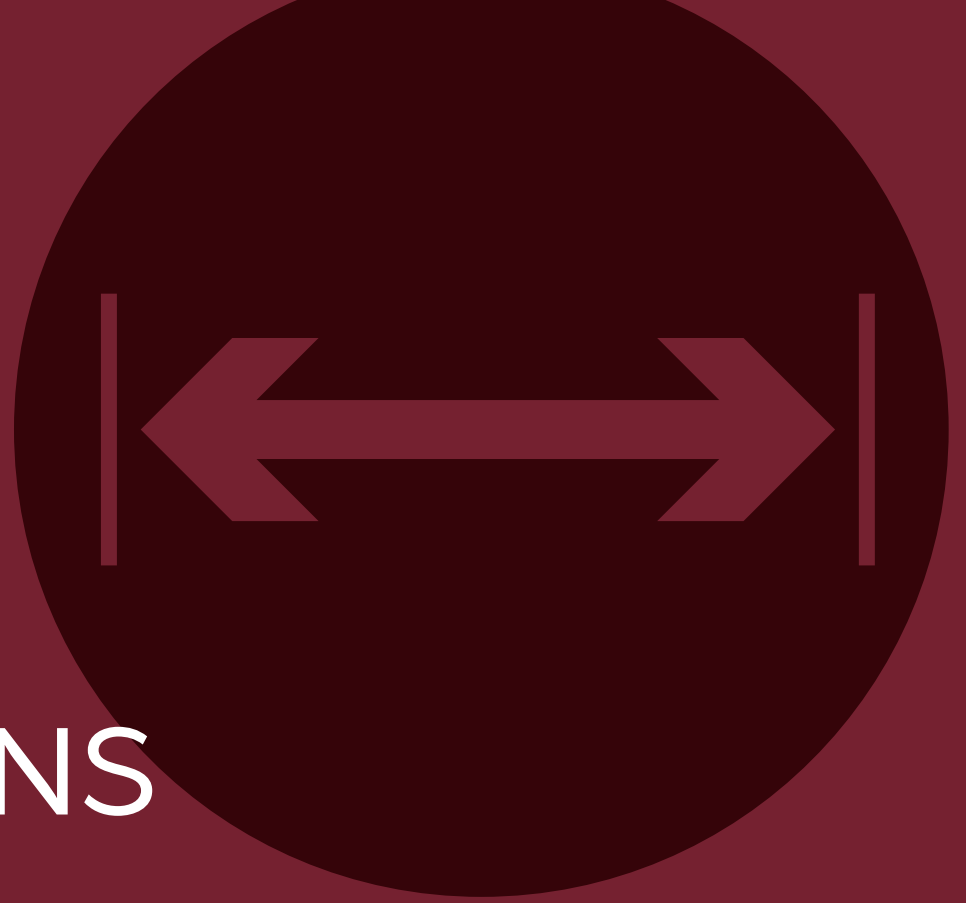
### IMPORTANT

This manual is complementary to the **s6-H** installation manual. Follow all the instructions in the **s6-H** manual and this additional manual for successful installation.



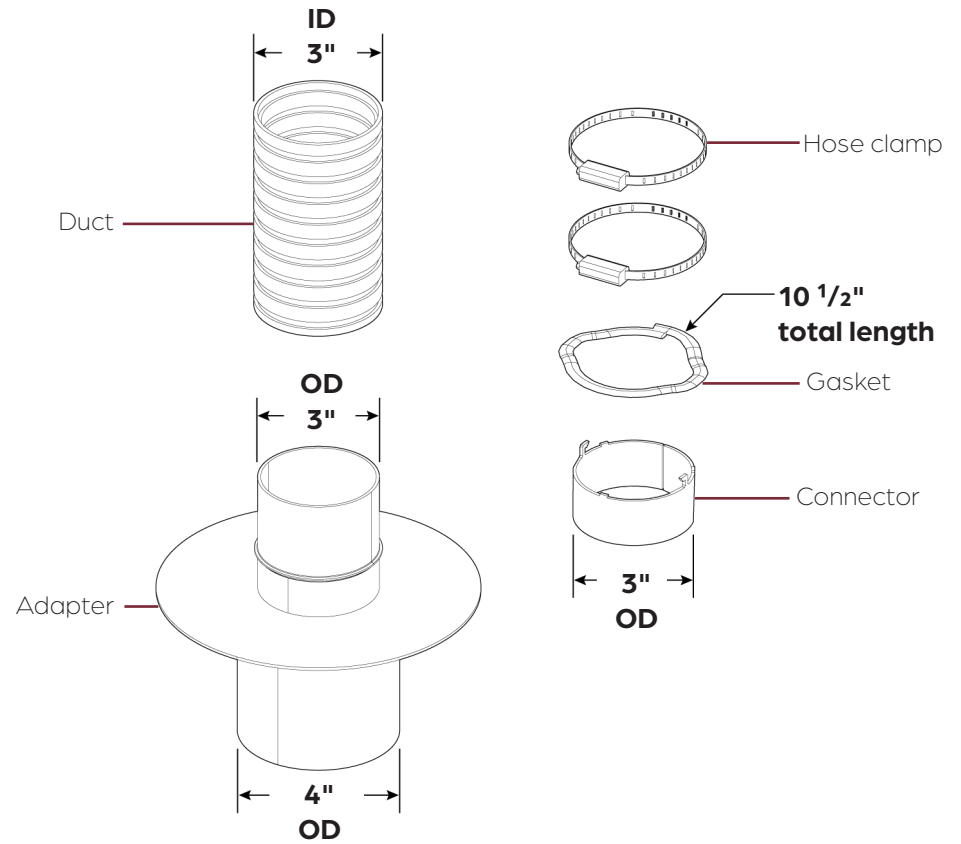
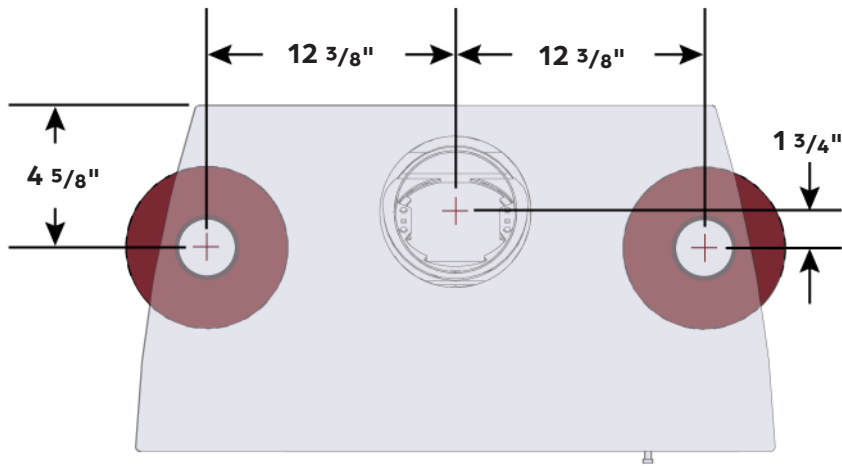
1

DIMENSIONS



# 1.1 DIMENSIONS

# 1.2 EXPLODED VIEW



**! ATTENTION**  
Only one air intake is required.

2

INSTALLATION





**Step 1** The air intake assembly is passing through **one leg of the stove**. Choose one side. The left side will be shown.

**Step 2** After choosing where the stove will be located, measure and identify the position of the air intake on the selected side according to the dimensions indicated in the DIMENSIONS section.



### OPTION: FLOOR PLATE

If the floor plate option was chosen, use the cardboard divider to position the back part of the floor plate.

**Follow both manuals at the same time.**

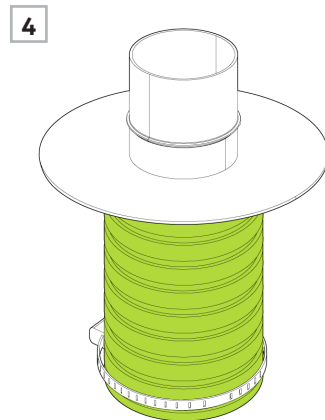
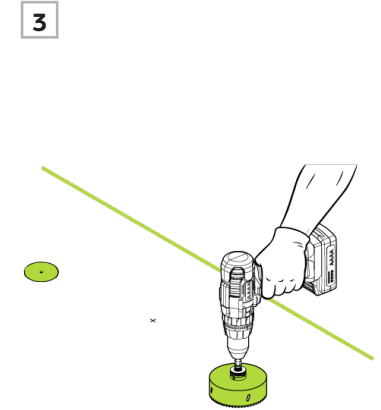
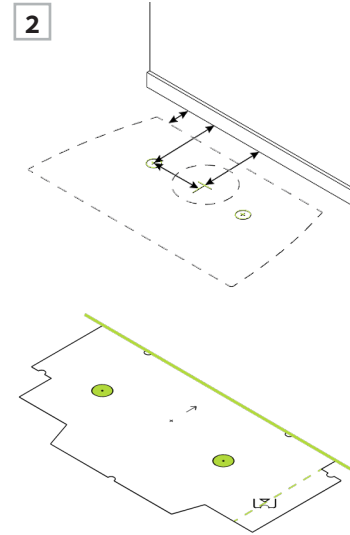
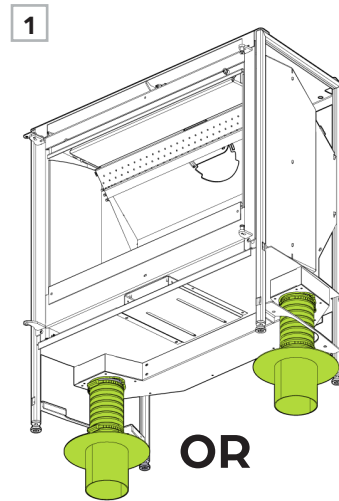
**Step 3** Drill the hole for the air intake. A diameter between 5" and 6" is required.

**Step 4** Connect the adapter to the duct provided with the outside air connection kit.

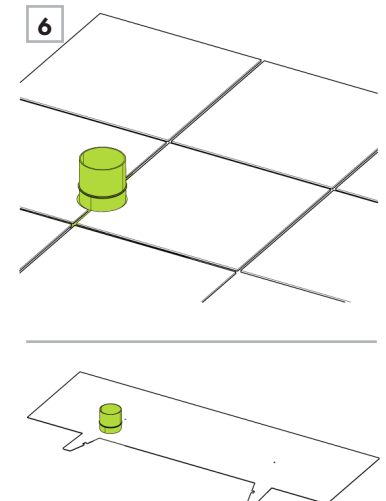
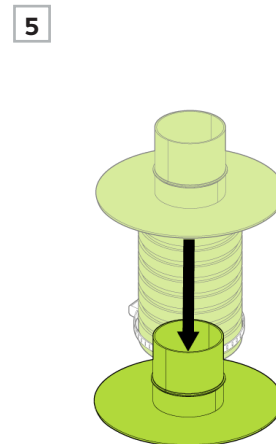
**Step 5** Insert the adapter assembly into the drilled hole. The base must sit firmly against the subfloor to ensure a flat floor without deformation.

**Step 6** Install the rear floor plate or the finished flooring over the base to completely conceal it.

If the base is not covered, it will be visible outside the stove's panels.



PROVIDED WITH THE  
OUTSIDE AIR KIT.



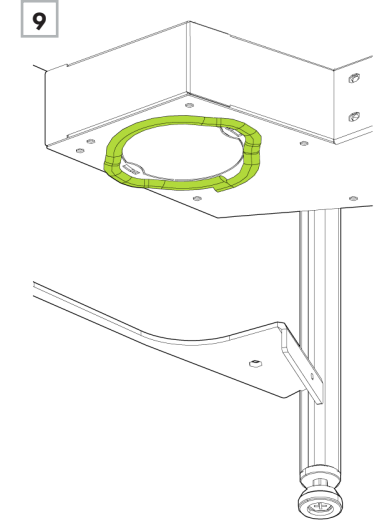
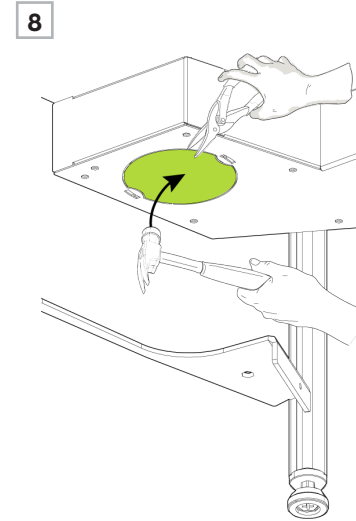
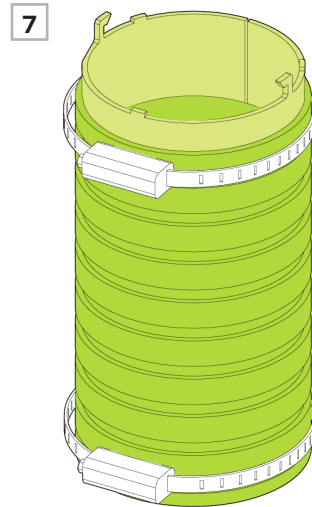


**Step 7** Prepare the duct by placing the hose clamps around it.

The following steps explain how to prepare the air intake box under the stove according to the selected side.

**Step 8** Use cutting pliers and a hammer to break the knockout.

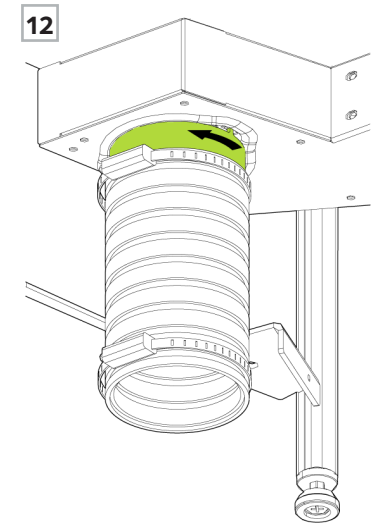
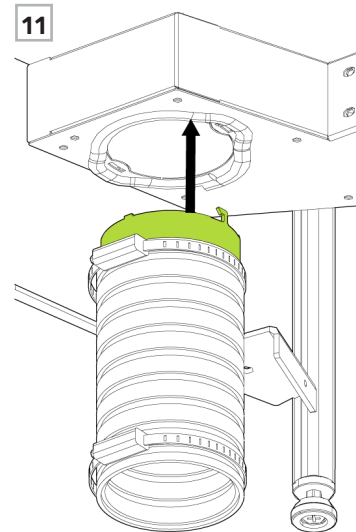
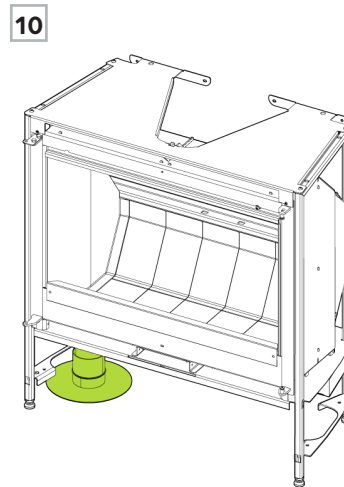
**Step 9** Apply the gasket around the knockout. Do not block the small slots where the collar will be inserted.



**Step 10** After removing the door and the panels as explained in the main manual, position the stove in its final location

**Step 11** Slide the hooks of the connector into the slots around the knockout.

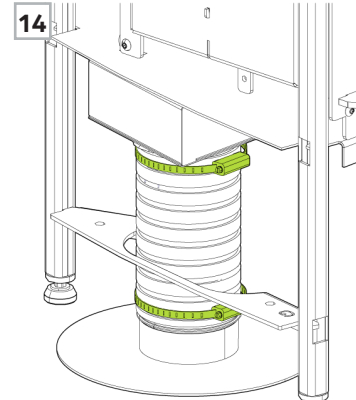
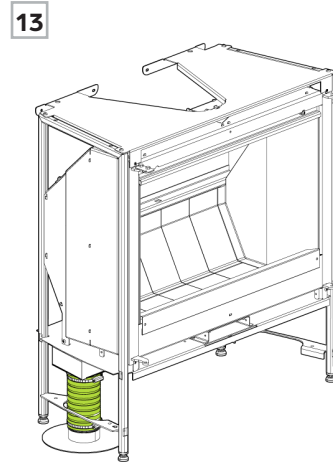
**Step 12** Rotate the connector to secure it in place.





**Step 13** Join the connector, duct, and adapter together until they reach the embossed flange inside the adapter.

**Step 14** Tighten both hose clamps.



Stûv stoves are designed by:

Stûv sa – Belgium  
stuv.com

Jules Borbouse Street n°4 B-5170  
Bois-de-Villers

This accessory is designed and  
manufactured in North America by:

Stûv America inc. – Canada  
stuvamerica.com

34, Boulevard de l'Aéroport  
Bromont, QC Canada J2L 1S6

1-514-396-3463 | 1-866-487-7888