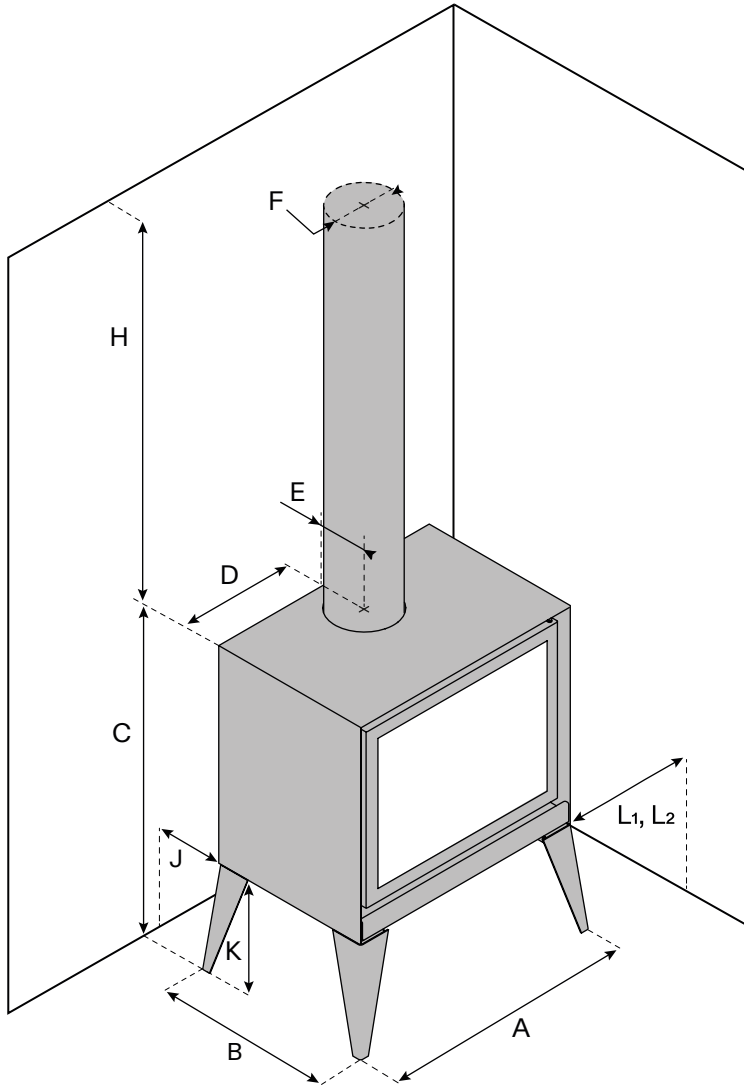


technical data sheet

s[16]V



- StüvGrey ●
- Black ●

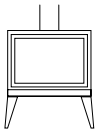
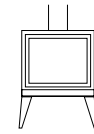
To ensure dimensions, performance data and other prerequisites for a safe installation are in compliance with current regulations, always refer to the installation instructions available on the website www.stuvamerica.com.

Product

58

68

78



Performances

Particulate matter	1.5 g/h	1.7 g/h	1.8 g/h
Burn rate	4.1 lb/h	4.1 lb/h	4.4 lb/h
EPA Efficiency	71 %	66 %	67 %
Maximum heat output	65 000 BTU/h	82 000 BTU/h	86 000 BTU/h
EPA heat output	27 015 BTU/h	23 727 BTU/h	27 092 BTU/h
Nominal heat output	46 000 BTU/h	50 000 BTU/h	58 000 BTU/h
Certifications	UL / ULC / EPA / CSA B415.1-22	UL / ULC / EPA / CSA B415.1-22	UL / ULC / EPA / CSA B415.1-22
Combustion chamber volume	1.6 ft ³	1.9 ft ³	2.2 ft ³
Logs - Maximum length	17"	21"	25"
Estimated heating area	1 400 ft ²	1 650 ft ²	2 100 ft ²
Weight	267 lb	289 lb	318 lb

Dimensions

[A] Width	24 ¹³ / ₁₆ "	28 ¹³ / ₁₆ "	32 ¹³ / ₁₆ "
[B] Depth	20"	20"	20"
[C] Height	35 ⁹ / ₁₆ "	35 ⁹ / ₁₆ "	35 ⁹ / ₁₆ "
[D] Center chimney - side	12 ⁷ / ₁₆ "	14 ⁷ / ₁₆ "	16 ⁷ / ₁₆ "
[E] Center chimney - back	5 ¹ / ₈ "	5 ¹ / ₈ "	5 ¹ / ₈ "
[F] Chimney diameter	6" or 7"	6" or 7"	6" or 7"
[H] Min. ceiling clearance	24 ¹ / ₂ "	24 ¹ / ₂ "	24 ¹ / ₂ "
[J] Min. back clearance	7"	7"	7"
[K] Leg height	11 ⁹ / ₁₆ "	11 ⁹ / ₁₆ "	11 ⁹ / ₁₆ "
[L1] Min. side clearance	12"	12"	12"
[L2] Alcove min. side clearance	15"	15"	15"
∅ Outside air connection	4"	4"	4"
Glass width	17 ⁵ / ₈ "	21 ⁵ / ₈ "	25 ¹ / ₂ "
Glass height	16 ⁹ / ₁₆ "	16 ⁹ / ₁₆ "	16 ⁹ / ₁₆ "